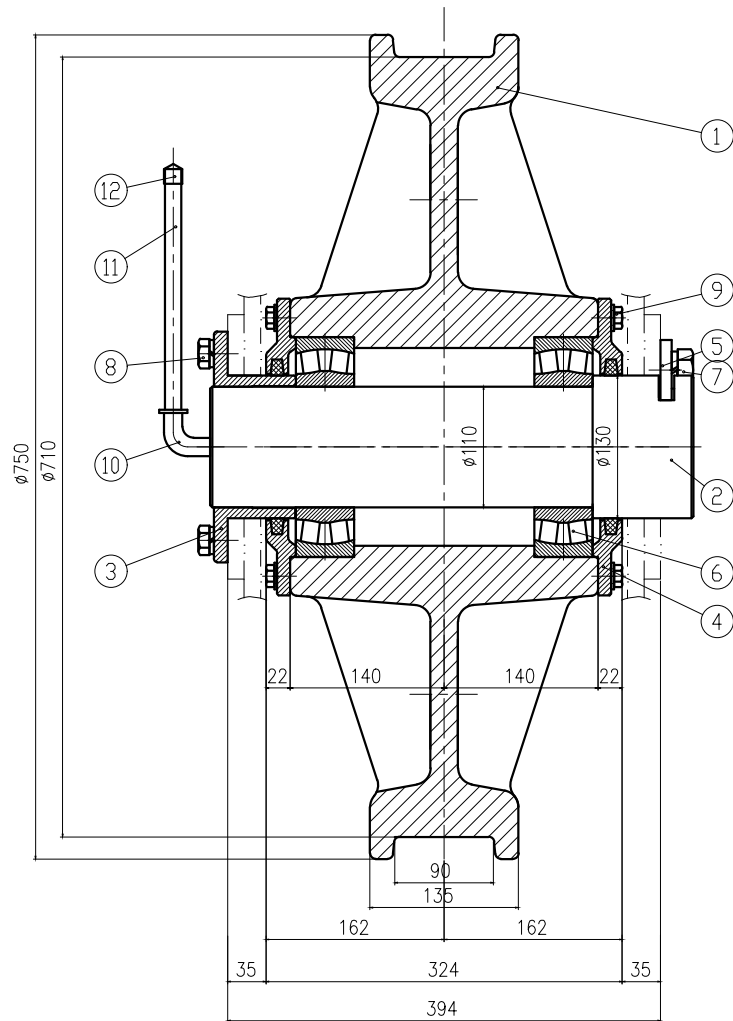


16	GREASE NIPPLE	PURCHASE	2			PT1/4"
15	PIPE	S.G.P	2			3/8"
14	ELBOW	PURCHASE	2			PT3/8"
13	BOLT,SW	4T	24			M12×40L×30S
12	BOLT,SW	4T	8			M16×35L×25S
11	BOLT,SW	4T	4			M16×35L×25S
10	W/S		6			
9	HIGHTENSION BOLT A		6			
8	BEARING	PURCHASE	4			#22222
7	KEY PLATE	SS41	2			JD- $\phi 710$ -K
6	BUSH	S45CN	6			JD- $\phi 710$ -BU
5	BEARING COVER	SS41	4			JD- $\phi 710$ -BC
4	COLLAR	FCD40	2			JD- $\phi 710$ -C
3	SHAFT	S45CN	2			JD- $\phi 710$ -S
2	WHEEL GEAR	SC49	2			JD- $\phi 710$ -GR
1	DRIVING WHEEL	SCMn2A	2			JD- $\phi 710$ -D1
	ASS'Y OF DRIVING WHEEL		2			
NO	DESCRIPTION	MATERIAL	Q'TY	UNIT	TOTAL WEIGHT KG	REMARKS

DATE : 2014. 02	SCALE : N/S	DRAWING No. :	JD-710-D
DRAWN BY J. H. GWAK	DESIGNED BY J,H,GWAK	CHECKED BY	APPROVED BY D,J,SIN
PROJECT TITLE TRAVELLING DRIVING DRAWING		DRAWING TITLE $\phi 710$	



JINDO HOIST CRANE.CO.LTD

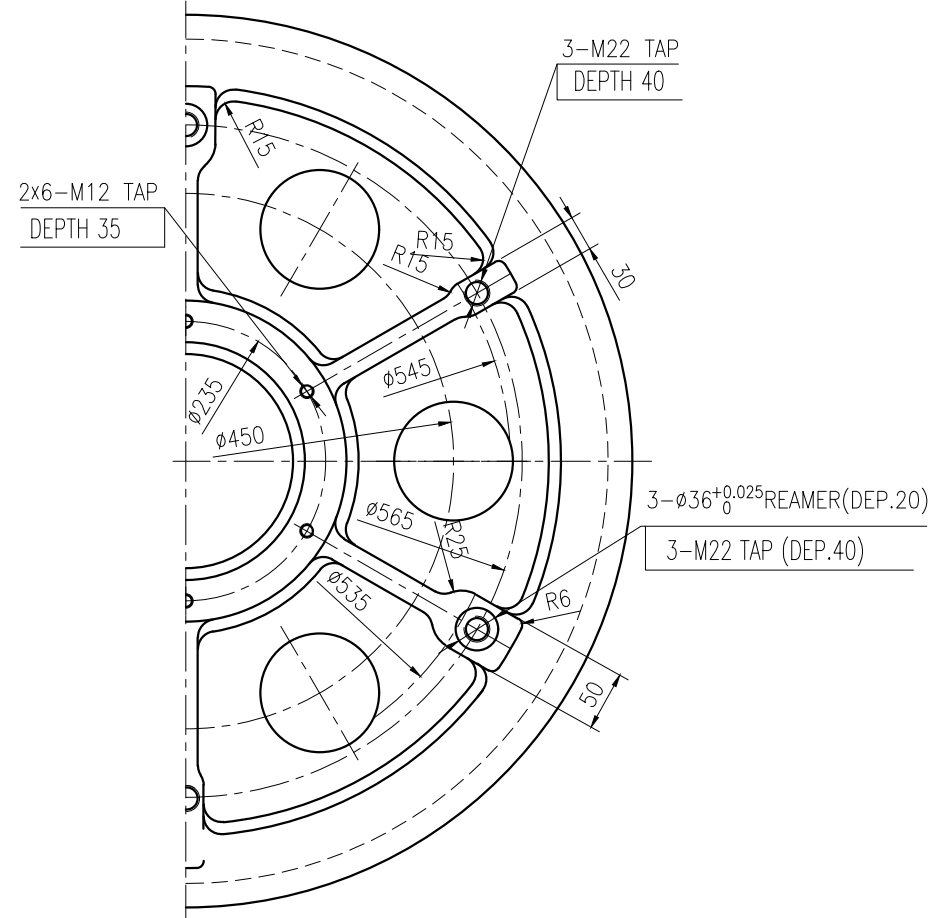
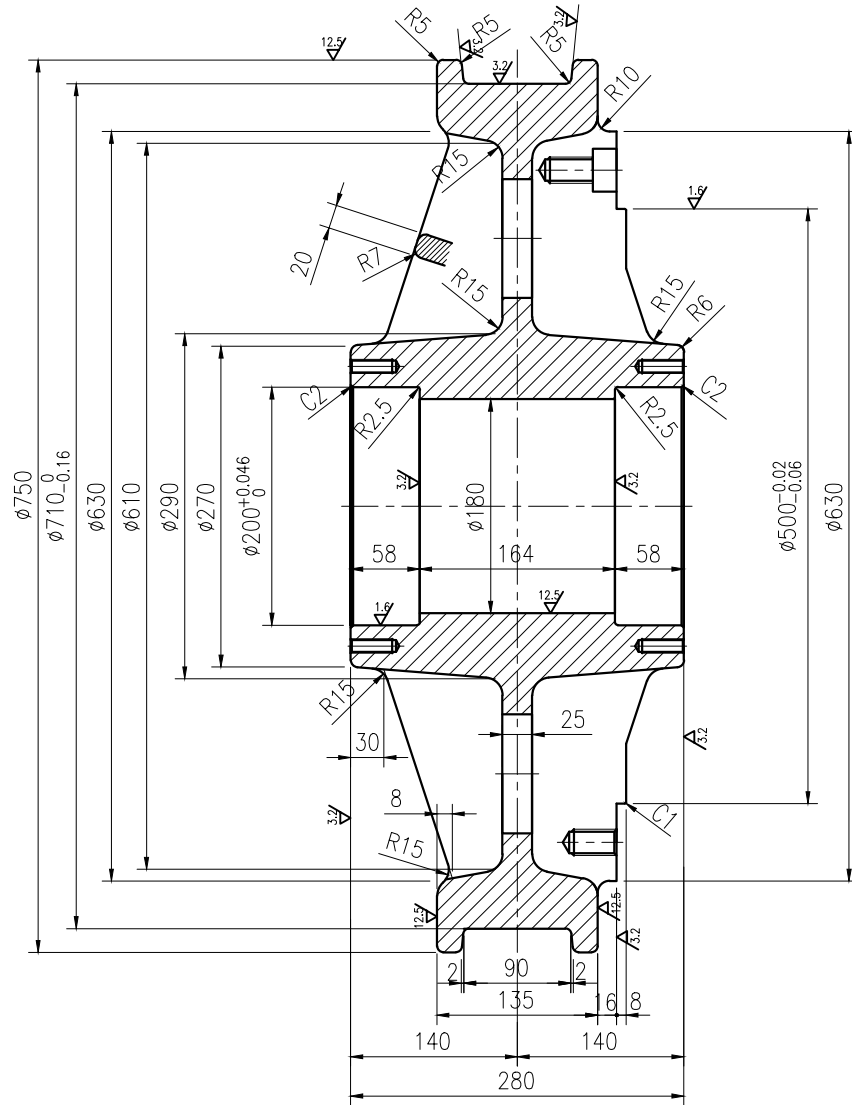


12	GREASE NIPPLE	PURCHASE	2			PT1/4"
11	PIPE	S.G.P	2			3/8"
10	ELBOW	PURCHASE	2			PT3/8"
9	BOLT,SW	4T	24			M12× 40L× 30S
8	BOLT,SW	4T	8			M16× 35L× 25S
7	BOLT,SW	4T	4			M16× 35L× 25S
6	BEARING	PURCHASE	4			#22222
5	KEY PLATE	SS41	2			JD-φ710-K
4	BEARING COVER	SS41	4			JD-φ710-BC
3	COLLAR	FCD40	2			JD-φ710-C
2	SHAFT	S45CN	2			JD-φ710-S
1	FOLLOWING WHEEL	SCMn2A	2			JD-φ710-F1
	ASS'Y OF FOLLOWING WHEEL		2			

NO	DESCRIPTION	MATERIAL	Q'TY	UNIT	TOTAL	REMARKS
				WEIGHT	KG	
DATE : 2014. 02		SCALE : N/S		DRAWING No. : JD-710-F		
DRAWN BY J. H. GWAK		DESIGNED BY J,H,GWAK		CHECKED BY		APPROVED BY D,J,SIN
PROJECT TITLE TRAVELLING FOLLOWING DRAWING				DRAWING TITLE φ710		



JINDO HOIST CRANE.CO.LTD

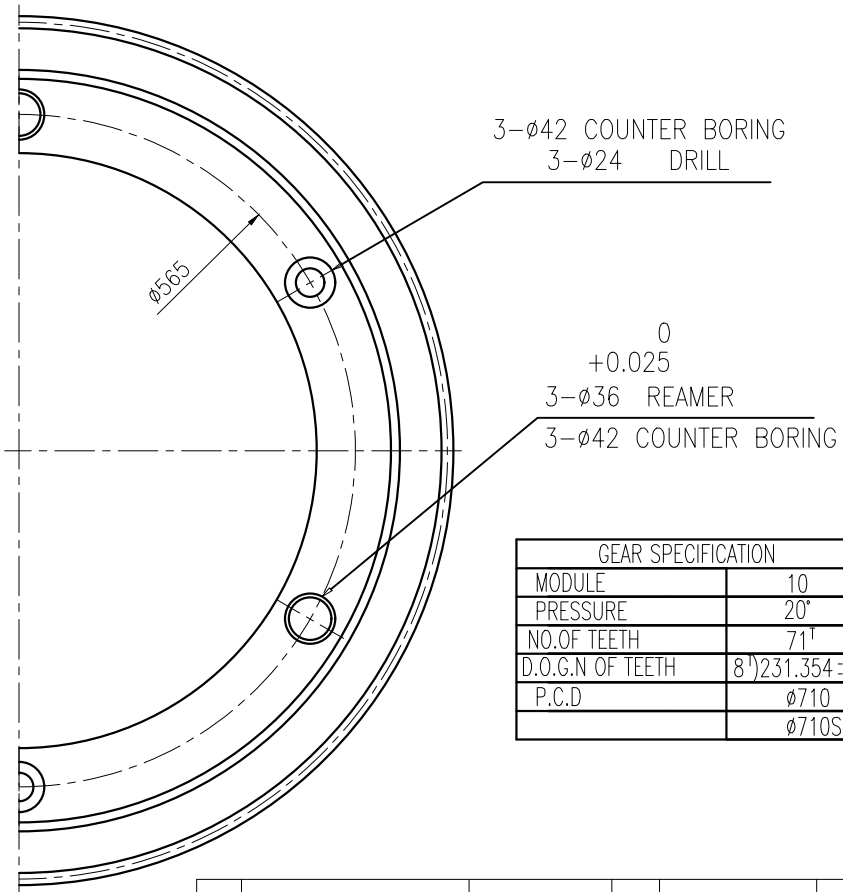
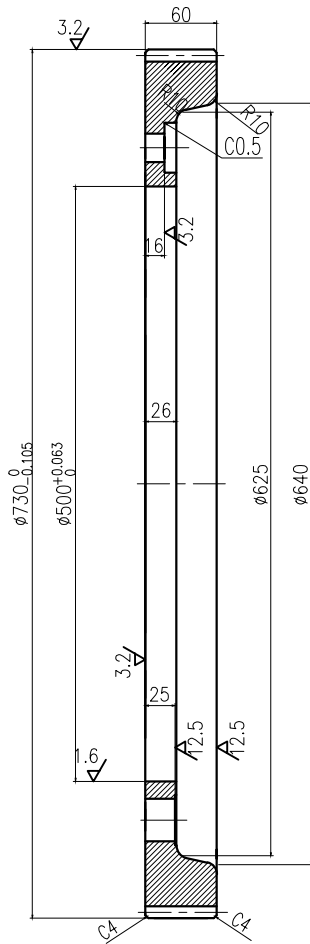


NO	DESCRIPTION	MATERIAL	Q'TY	SIZE	REMARKS
	DRIVING WHEEL	SCMn2A	2		
DATE : 2014. 02	SCALE : N/S		DRAWING No. :	JD-710-D1	
DRAWN BY J. H. GWAK	DESIGNED BY J,H,GWAK		CHECKED BY	APPROVED BY D,J,SIN	
PROJECT TITLE TRAVELLING DRIVING DRAWING			DRAWING TITLE φ710		



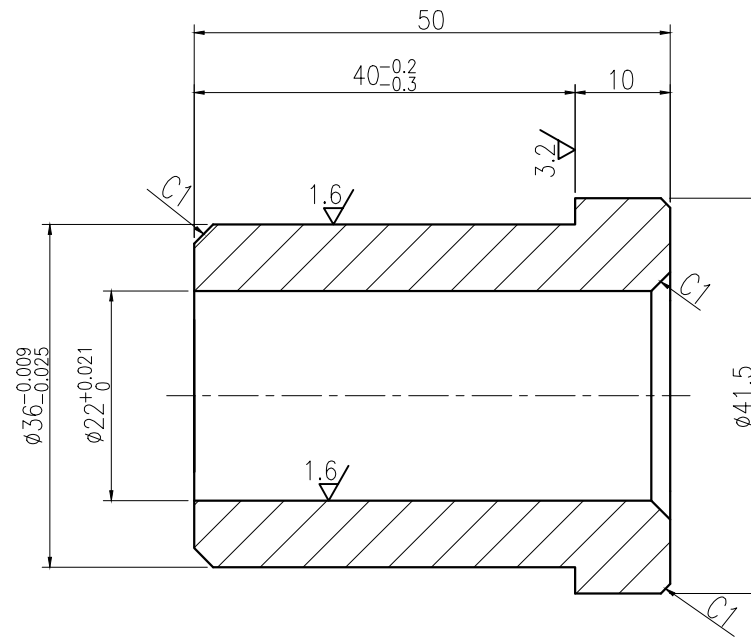
JINDO HOIST CRANE.CO.LTD





GEAR SPECIFICATION	
MODULE	10
PRESSURE	20°
NO.OF TEETH	71 <sup>†</sup>
D.O.G.N OF TEETH	8 <sup>†</sup> 231.354 <sup>-0.15</sup>
P.C.D	φ710
	φ710S

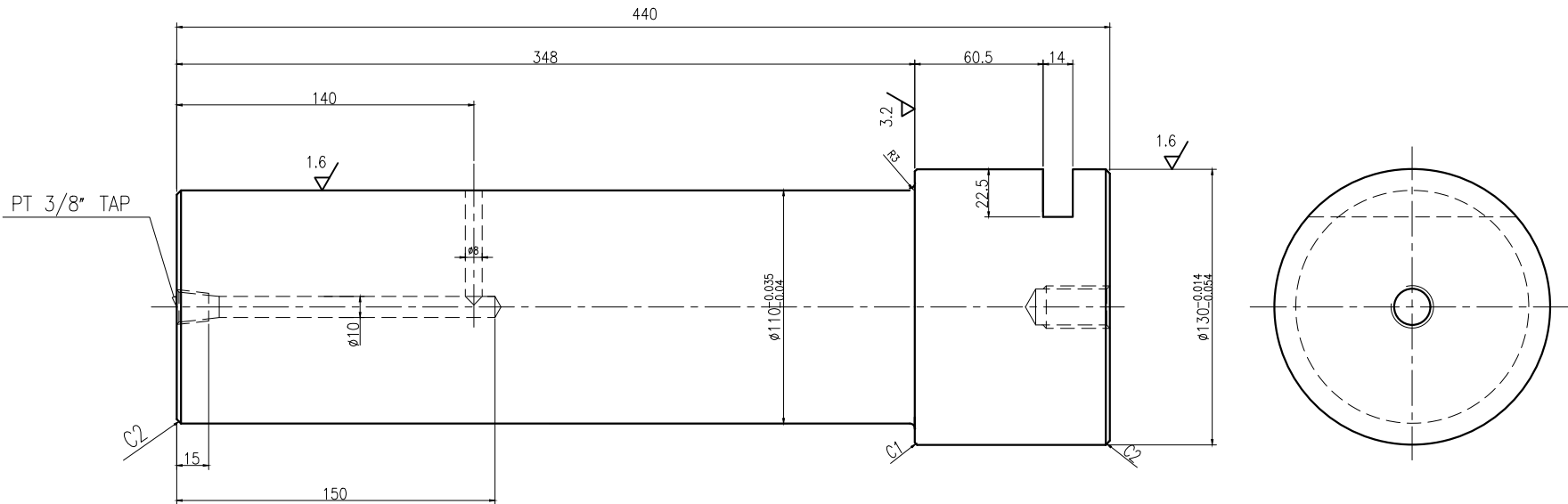
NO	DESCRIPTION	MATERIAL	Q'TY	SIZE	REMARKS
DATE : 2014. 02		SCALE : N/S		DRAWING No. : JD-710-WG	
DRAWN BY J. H. GWAK		DESIGNED BY J,H,GWAK		CHECKED BY	APPROVED BY D,J,SIN
PROJECT TITLE TRAVELLING WHEEL GEAR DRAWING				DRAWING TITLE φ710	



NO	DESCRIPTION	MATERIAL	Q'TY	SIZE	REMARKS
					$\phi 45 * 55L$
DATE : 2014. 02		SCALE : N/S		DRAWING No. : JD-710-BU	
DRAWN BY J. H. GWAK		DESIGNED BY J,H,GWAK		CHECKED BY APPROVED BY D,J,SIN	
PROJECT TITLE TRAVELLING BUSH DRAWING				DRAWING TITLE $\phi 710$	



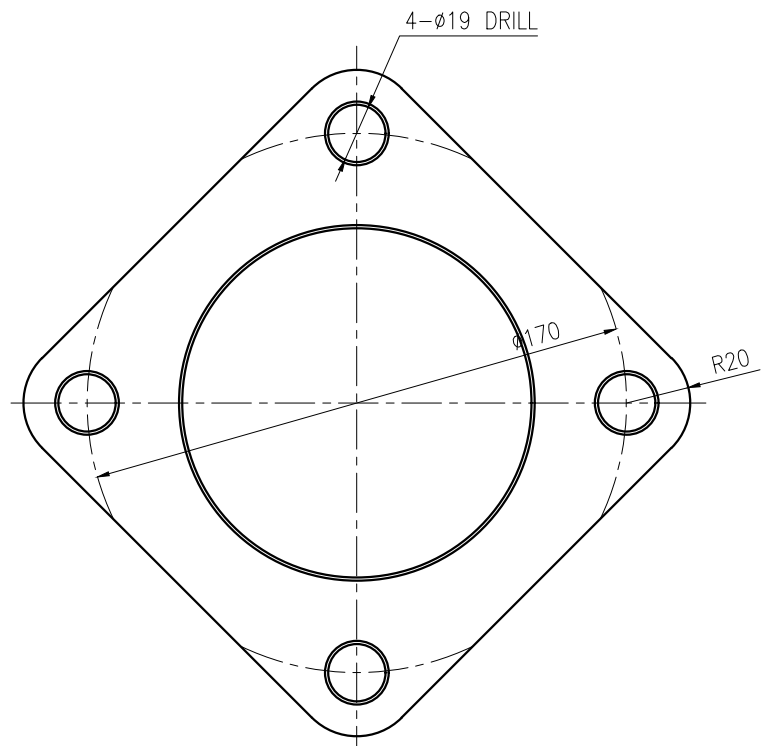
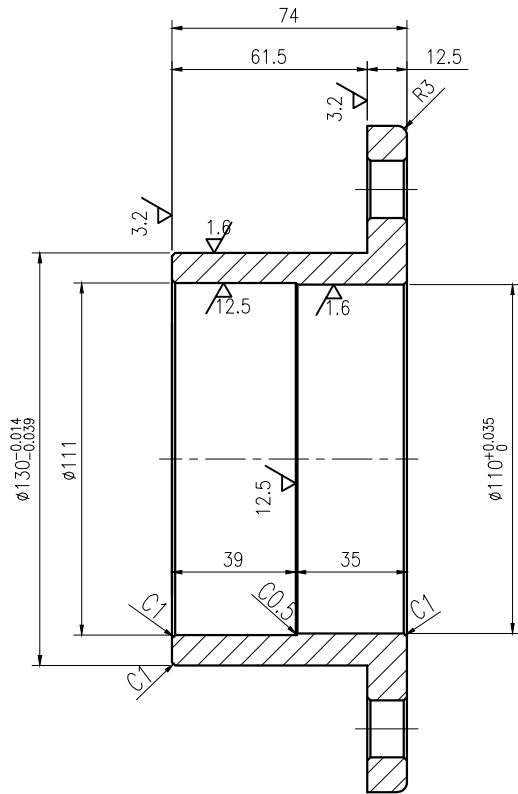
JINDO HOIST CRANE.CO.LTD



NO	DESCRIPTION	MATERIAL	Q'TY	SIZE	REMARKS
	DATE : 2014. 02	SCALE : N/S		DRAWING No. :	JD-710-S
	DRAWN BY J. H. GWAK	DESIGNED BY J,H,GWAK		CHECKED BY	APPROVED BY D,J,SIN
	PROJECT TITLE TRAVELLING SHAFT DRAWING			DRAWING TITLE $\phi 710$	



JINDO HOIST CRANE.CO.LTD



NO	DESCRIPTION	MATERIAL	Q'TY	SIZE	REMARKS
DATE : 2014. 02		SCALE : N/S		DRAWING No. : JD-710-C	
DRAWN BY J. H. GWAK		DESIGNED BY J,H,GWAK		CHECKED BY	APPROVED BY D,J,SIN
PROJECT TITLE TRAVELLING COLLAR DRAWING				DRAWING TITLE φ710	

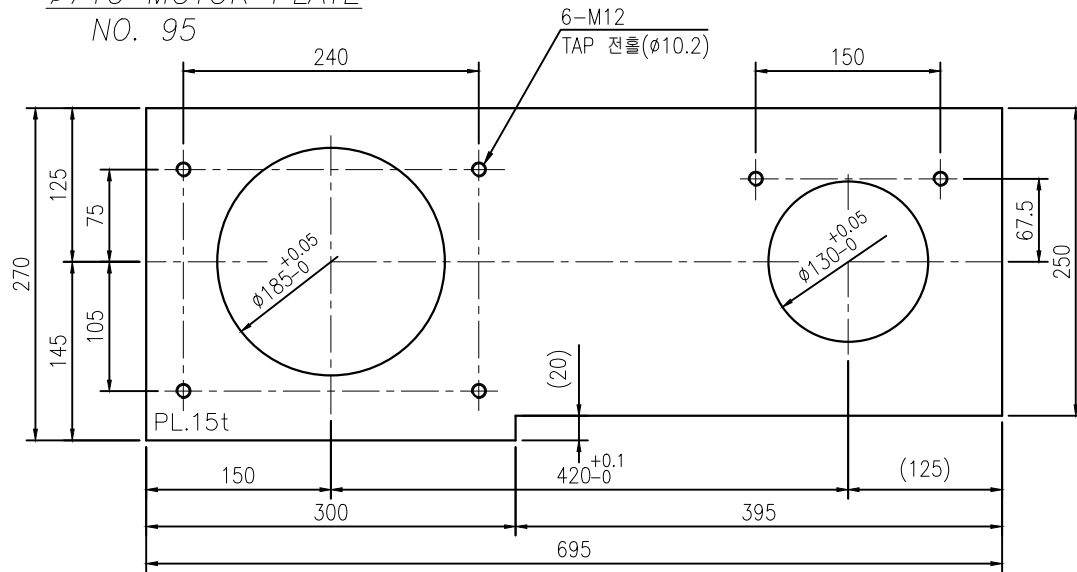


JINDO HOIST CRANE.CO.LTD



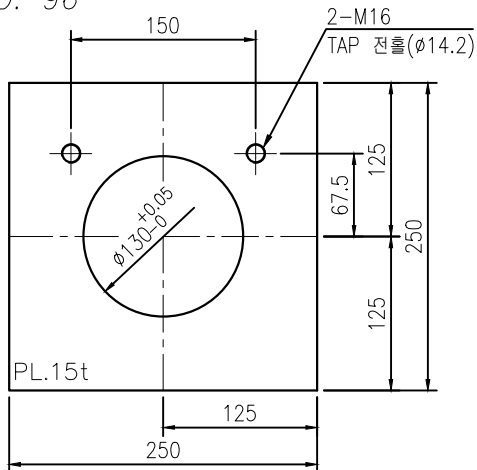
Ø710 MOTOR PLATE

NO. 95



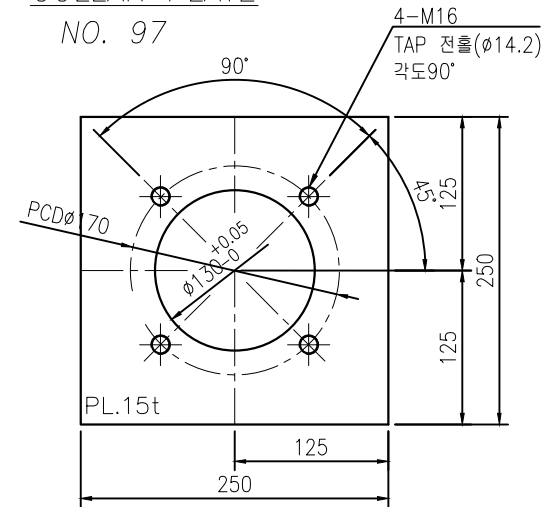
SHAFT PLATE

NO. 96



COLLAR PLATE

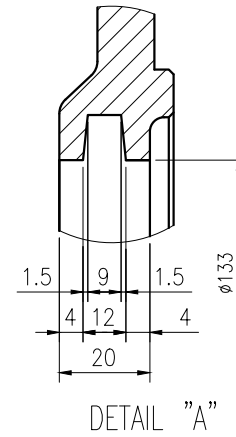
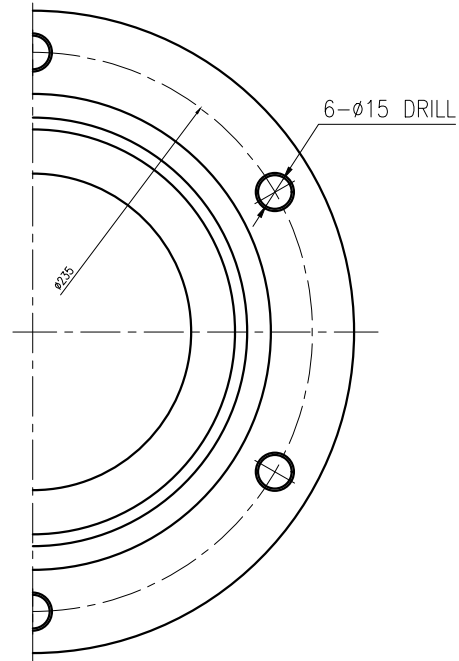
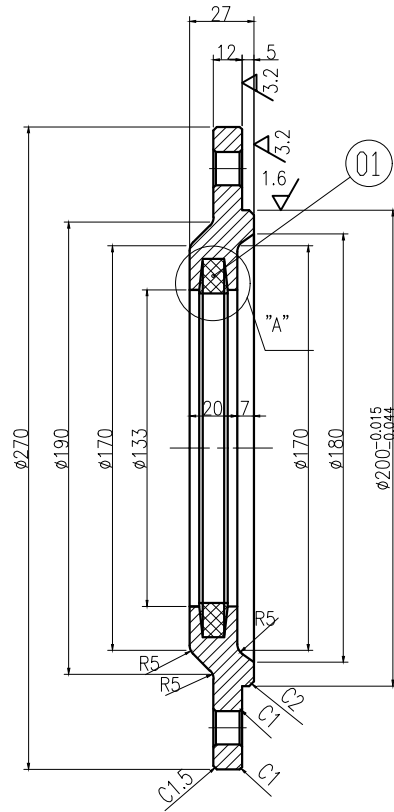
NO. 97



97	PL 15x250x250	SS41		4			24
96	PL 15x250x250	SS41		2			12
95	PL 15x270x695	SS41		2			32.8
NO	DESCRIPTIONS	MT'L	SET QTY	SET QTY	UNIT WEIGHT KG	TOTAL WEIGHT KG	REMARKS
DATE : 2018. 03	SCALE : 1/3	DRAWING No. :		JD-710-P			
DRAWN BY M,K,S	DESIGNED BY J,H,GWAK	CHECKED BY		APPROVED BY D,J,SIN			
PROJECT TITLE TRAVELLING DRIVING DRAWING				DRAWING TITLE Ø710			



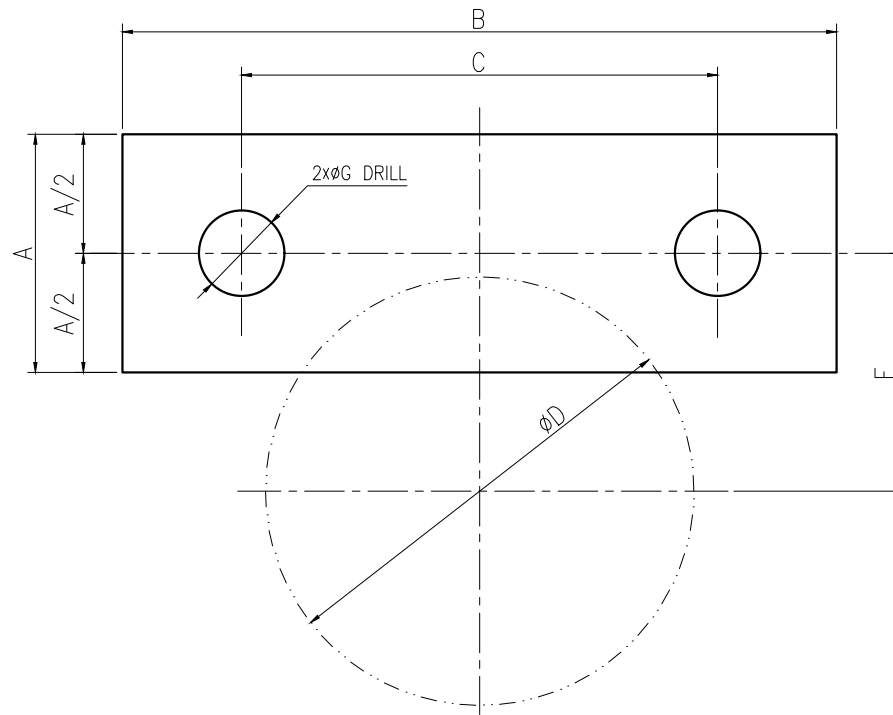
JINDO HOIST CRANE.CO.LTD



01	FELT PACHING	PURCGASE	8		10.5tx $\phi 130$ x $\phi 159$
					$\phi 275$
NO	DESCRIPTION	MATERIAL	Q'TY	SIZE	REMARKS
DATE : 2014. 02		SCALE : N/S		DRAWING No. : JD-710-BC	
DRAWN BY J. H. GWAK		DESIGNED BY J,H,GWAK		CHECKED BY APPROVED BY D,J,SIN	
PROJECT TITLE TRAVELLING BEARING COVER DRAWING				DRAWING TITLE $\phi 710$	



JINDO HOIST CRANE.CO.LTD



WHEEL	NOTATION	A	B	C	D	E	F	G	WEIGHT KG/EA
φ 160		38	120	80	60	35	8	14	0.3
φ 200		38	120	80	70	40	8	14	0.3
φ 250		38	120	80	75	42.5	8	14	0.3
φ 315		50	150	100	80	45	8	14	0.5
φ 315S		38	120	80	60	35	8	18	0.3
φ 400		50	150	100	90	50	8	18	0.5
φ 400S		50	150	100	80	45	8	22	0.5
φ 500		50	170	120	105	57.5	10	18	0.7
φ 500S		50	150	100	90	50	8	22	0.5
φ 630		50	170	120	120	65	10	18	0.7
φ 630S		50	170	120	98	55	10	22	0.7
φ 710		55	210	150	130	67.5	12	18	1
φ 710S		50	170	120	110	60	10	22	0.7
φ 800		55	210	150	135	72.5	12	24	1
φ 800S		55	210	150	125	67.5	12	24	1

NO	DESCRIPTION	MATERIAL	Q'TY	SIZE	REMARKS
DATE : 2014. 02		SCALE : N/S		DRAWING No. : JD-710-K	
DRAWN BY J. H. GWAK		DESIGNED BY J,H,GWAK		CHECKED BY	APPROVED BY D,J,SIN
PROJECT TITLE TRAVELLING KEY PLATE DRAWING				DRAWING TITLE φ710	



JINDO HOIST CRANE.CO.LTD