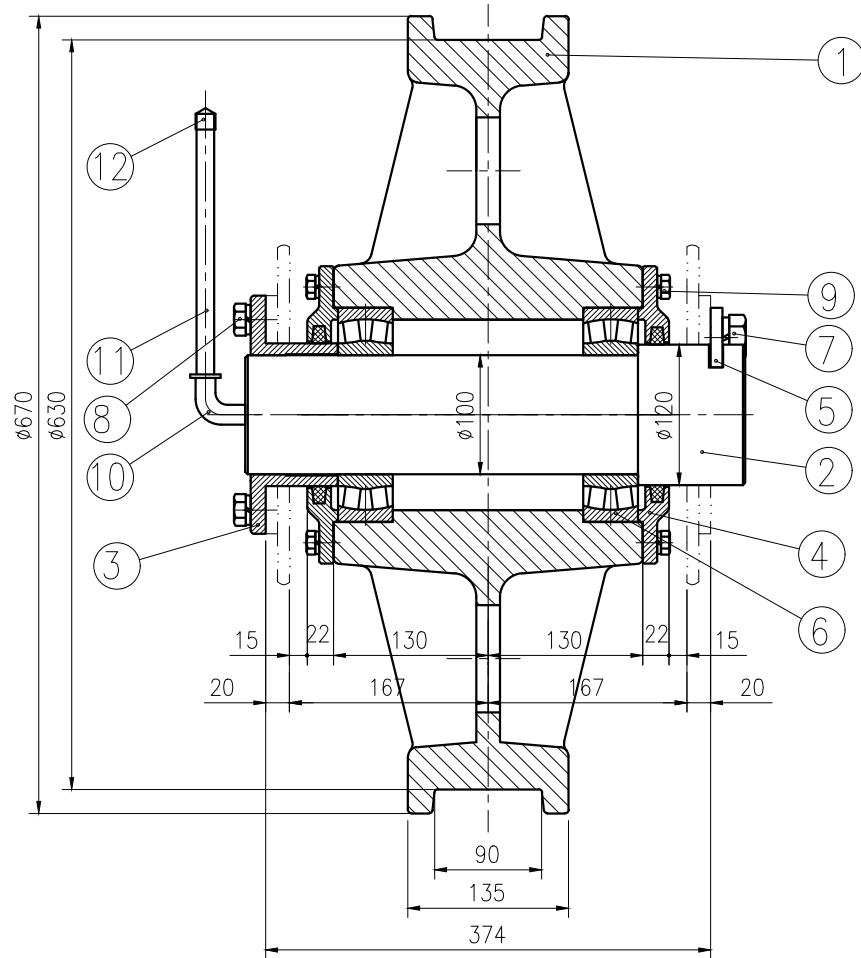


16	GREASE NIPPLE	PURCHASE	2			PT1/4"
15	PIPE	S.G.P	2			3/8"
14	ELBOW	PURCHASE	2			PT3/8"
13	BOLT,SW	4T	24			M12×40L×30S
12	BOLT,SW	4T	8			M16×35L×25S
11	BOLT,SW	4T	4			M16×35L×25S
10	W/S		6			
9	HIGHTENSION BOLT		6			
8	BEARING	PURCHASE	4			#22220
7	KEY PLATE	SS41	2			JD-ø630-K
6	BUSH	S45CN	6			JD-ø630-BU
5	BEARING COVER	SS41	4			JD-ø630-BC
4	COLLAR	FCD40	2			JD-ø630-C
3	SHAFT	S45CN	2			JD-ø630-S
2	WHEEL GEAR	SC49	2			JD-ø630-GR
1	DRIVING WHEEL	SCMn2A	2			JD-ø630-D1
	ASS'Y OF DRIVING WHEEL		2			

NO	DESCRIPTION	MATERIAL	Q'TY	WEIGHT KG		REMARKS
				UNIT	TOTAL	
DATE : 2014. 02		SCALE : N/S		DRAWING No. :		JD-630-D
DRAWN BY J. H. GWAK		DESIGNED BY J,H,GWAK		CHECKED BY		APPROVED BY D,J,SIN
PROJECT TITLE TRAVELLING DRIVING DRAWING				DRAWING TITLE ø630		



JINDO HOIST CRANE.CO.LTD

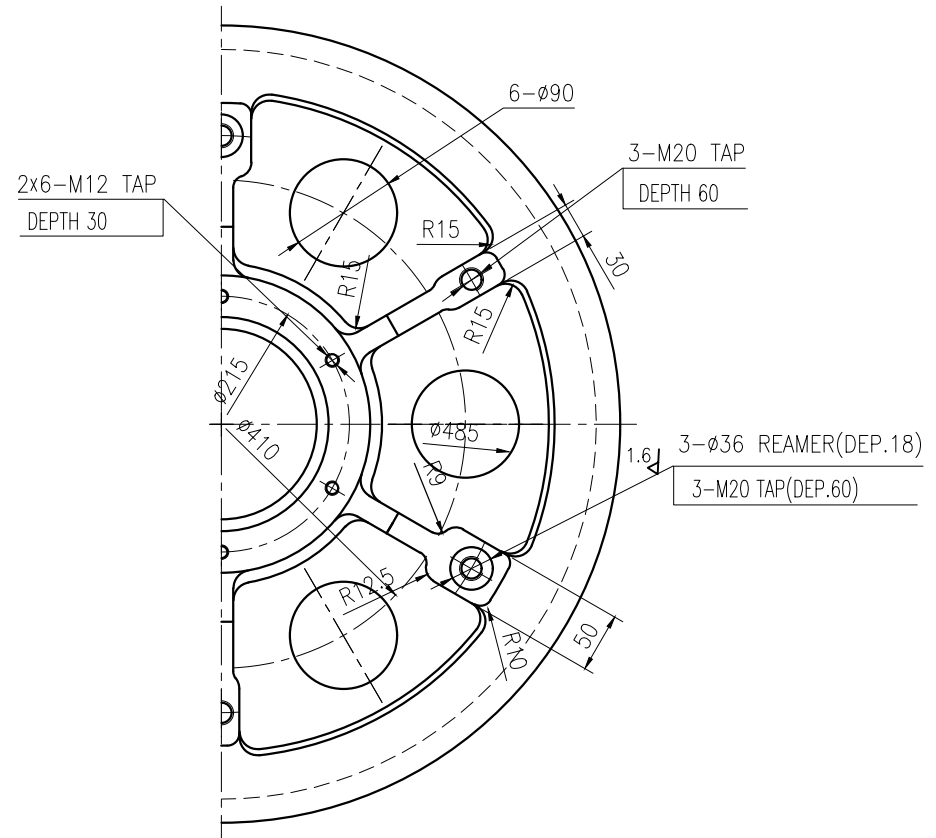
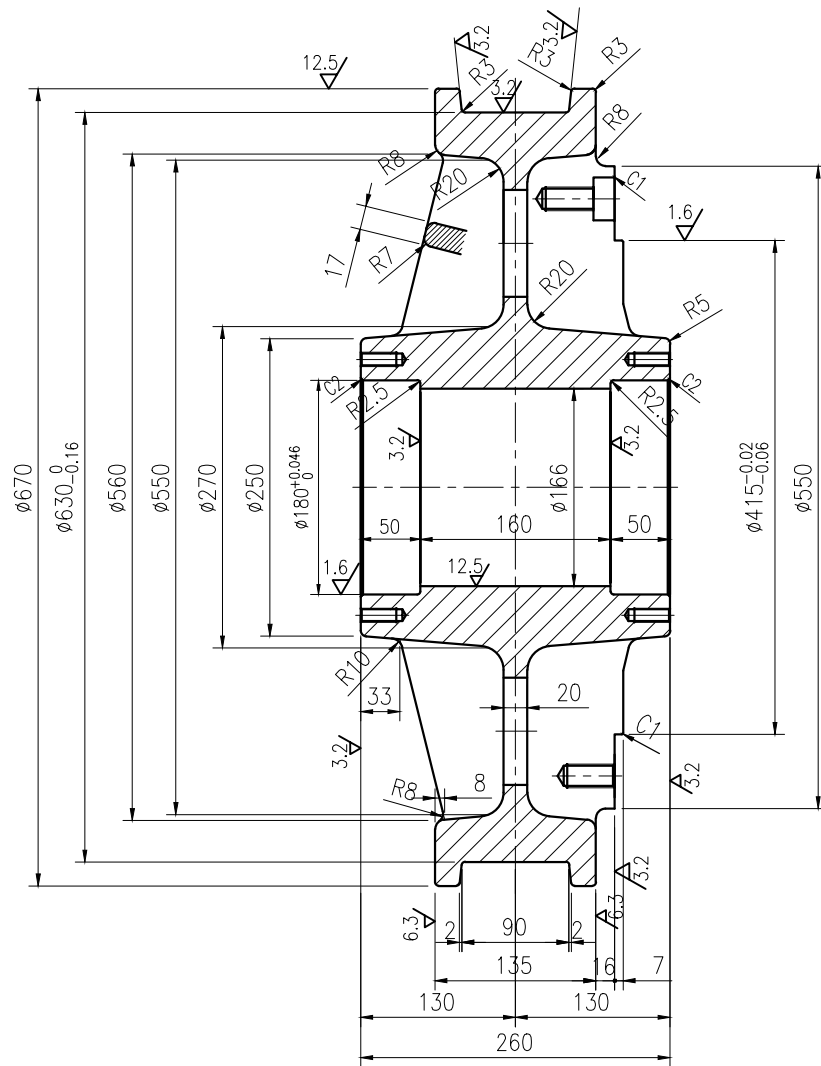


12	GREASE NIPPLE	PURCHASE	2			PT1/4"
11	PIPE	S.G.P	2			3/8"
10	ELBOW	PURCHASE	2			PT3/8"
9	BOLT,SW	4T	24			M12× 40L× 30S
8	BOLT,SW	4T	8			M16× 35L× 25S
7	BOLT,SW	4T	4			M16× 35L× 25S
6	BEARING	PURCHASE	4			#22220
5	KEY PLATE	SS41	2			JD-ø 630-K
4	BEARING COVER	SS41	4			JD-ø 630-BC
3	COLLAR	FCD40	2			JD-ø 630-C
2	SHAFT	S45CN	2			JD-ø 630-S
1	FOLLOWING WHEEL	SCMn2A	2			JD-ø 630-F1
	ASS'Y OF FOLLOWING WHEEL		2			
NO	DESCRIPTION	MATERIAL	Q'TY	WEIGHT KG		REMARKS
				UNIT	TOTAL	

DATE : 2014. 02	SCALE : N/S	DRAWING No. :	JD-630-F
DRAWN BY J. H. GWAK	DESIGNED BY J,H,GWAK	CHECKED BY	APPROVED BY D,J,SIN
PROJECT TITLE TRAVELLING FOLLOWING DRAWING		DRAWING TITLE ø630	



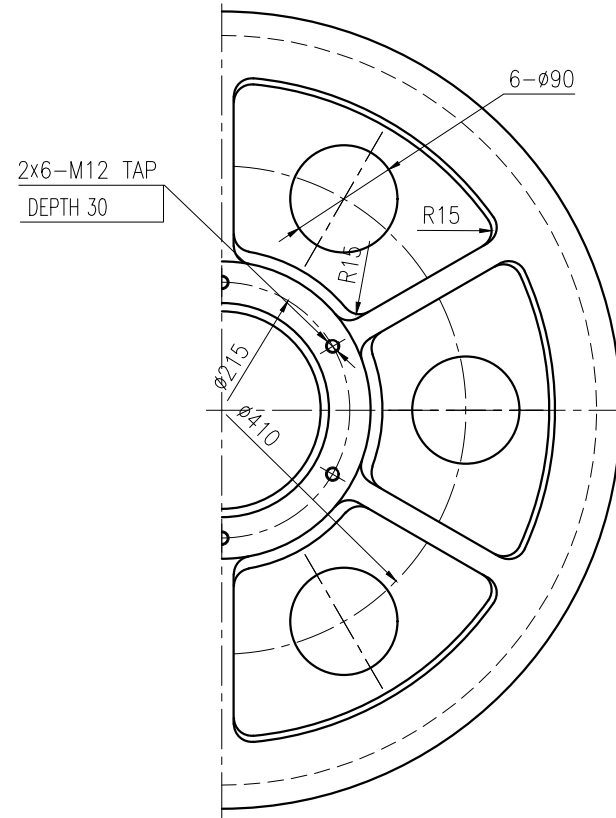
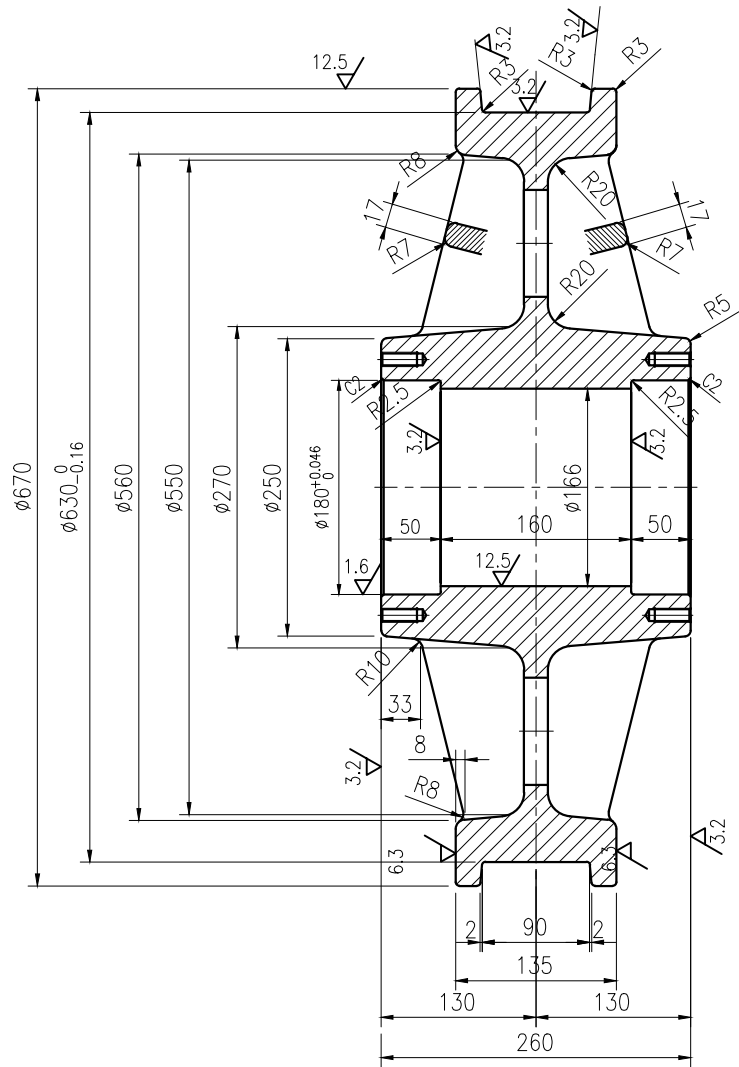
JINDO HOIST CRANE.CO.LTD



NO	DESCRIPTION	MATERIAL	Q'TY	SIZE	REMARKS
DATE : 2014. 02		SCALE : N/S		DRAWING No. : JD-630-D1	
DRAWN BY J. H. GWAK		DESIGNED BY J,H,GWAK		CHECKED BY APPROVED BY D,J,SIN	
PROJECT TITLE TRAVELLING DRIVING DRAWING				DRAWING TITLE ø630	



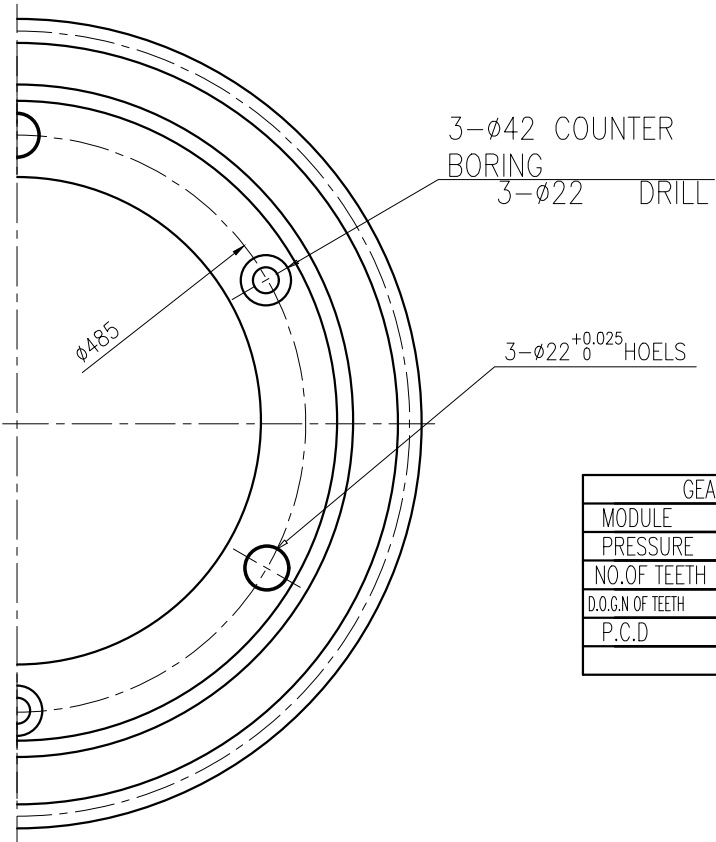
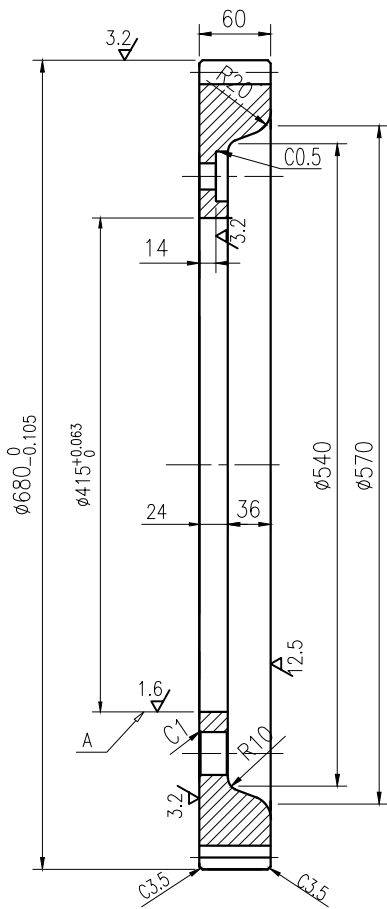
JINDO HOIST CRANE.CO.LTD



NO	DESCRIPTION	MATERIAL	Q'TY	SIZE	REMARKS
DATE : 2014. 02		SCALE : N/S		DRAWING No. : JD-630-F1	
DRAWN BY J. H. GWAK		DESIGNED BY J,H,GWAK		CHECKED BY APPROVED BY D,J,SIN	
PROJECT TITLE TRAVELLING FOLLOWING DRAWING				DRAWING TITLE φ630	



JINDO HOIST CRANE.CO.LTD

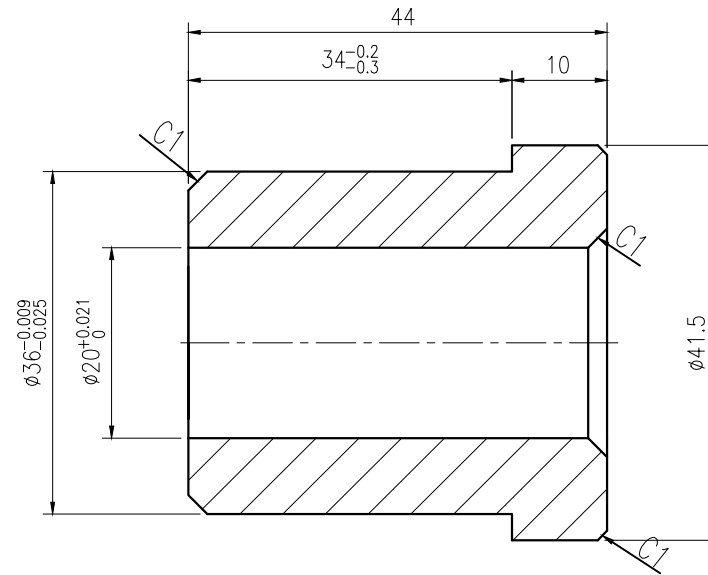


GEAR SPECIFICATION	
MODULE	8
PRESSURE	20°
NO.OF TEETH	83 ^T
D.O.G.N OF TEETH	10 ^T 233.66 ^{-0.14} _{-0.25}
P.C.D	φ664
	φ630

NO	DESCRIPTION	MATERIAL	Q'TY	SIZE	REMARKS
DATE : 2014. 02		SCALE : N/S		DRAWING No. : JD-630-WG	
DRAWN BY J. H. GWAK		DESIGNED BY J,H,GWAK		CHECKED BY	APPROVED BY D,J,SIN
PROJECT TITLE TRAVELLING WHEEL GEAR DRAWING				DRAWING TITLE φ630	



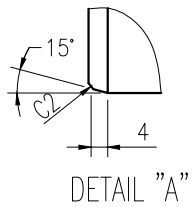
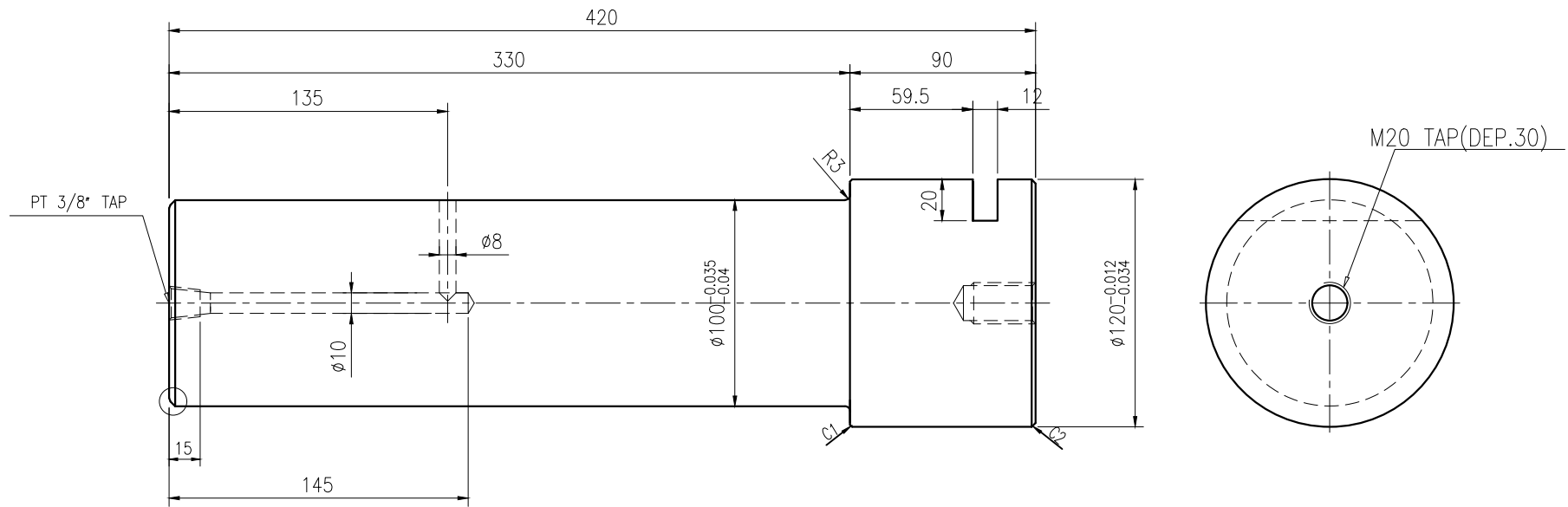
JINDO HOIST CRANE.CO.LTD



NO	DESCRIPTION	MATERIAL	Q'TY	SIZE	REMARKS
DATE : 2014. 02	SCALE : N/S		DRAWING No. :	JD-630-BC	
DRAWN BY J. H. GWAK	DESIGNED BY J,H,GWAK		CHECKED BY	APPROVED BY D,J,SIN	
PROJECT TITLE TRAVELLING BUSH DRAWING			DRAWING TITLE $\phi 630$		



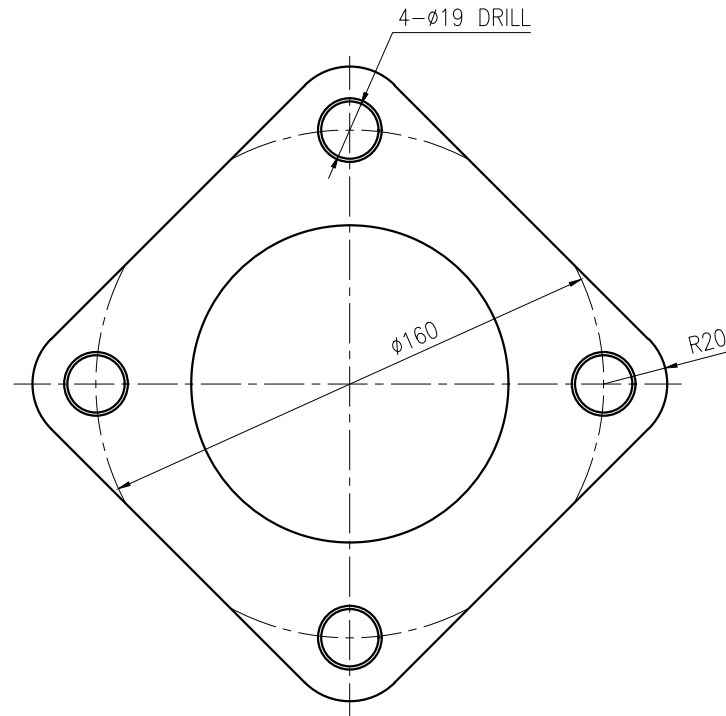
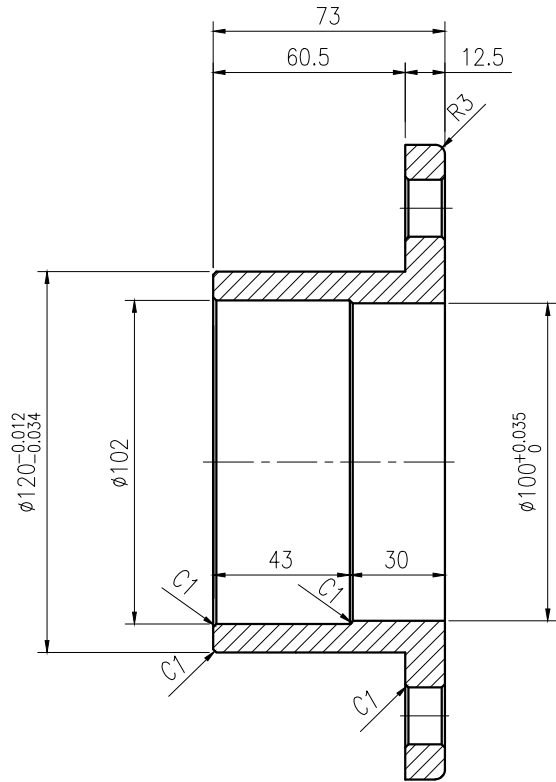
JINDO HOIST CRANE.CO.LTD



NO	DESCRIPTION	MATERIAL	Q'TY	SIZE	REMARKS
DATE : 2014. 02		SCALE : N/S		DRAWING No. : JD-630-S	
DRAWN BY J. H. GWAK		DESIGNED BY J,H,GWAK		CHECKED BY	APPROVED BY D,J,SIN
PROJECT TITLE TRAVELLING SHAFT DRAWING				DRAWING TITLE ø630	



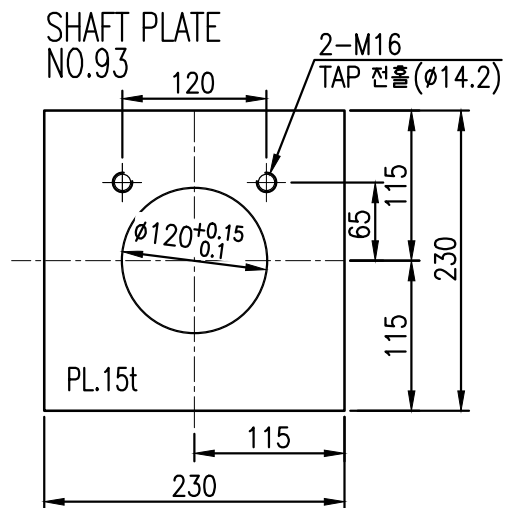
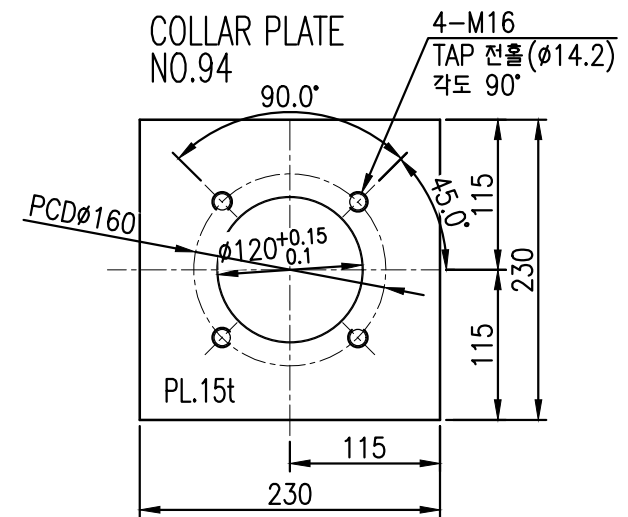
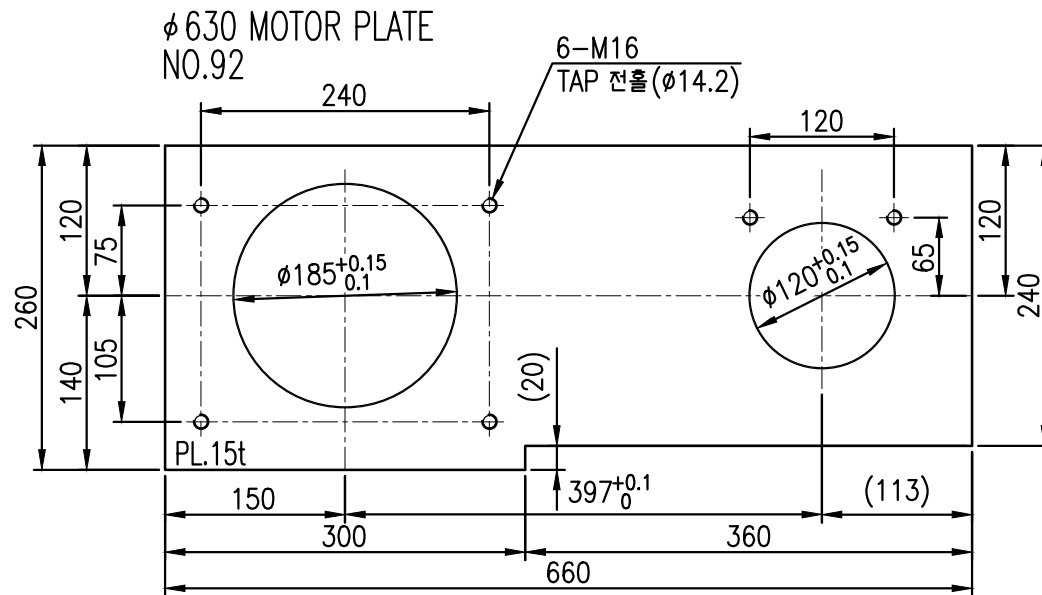
JINDO HOIST CRANE.CO.LTD



NO	DESCRIPTION	MATERIAL	Q'TY	SIZE	REMARKS
DATE : 2014. 02		SCALE : N/S		DRAWING No. : JD-630-C	
DRAWN BY J. H. GWAK		DESIGNED BY J,H,GWAK		CHECKED BY	APPROVED BY D,J,SIN
PROJECT TITLE TRAVELLING COLLAR DRAWING				DRAWING TITLE $\phi 630$	



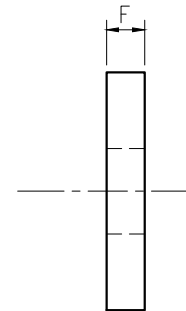
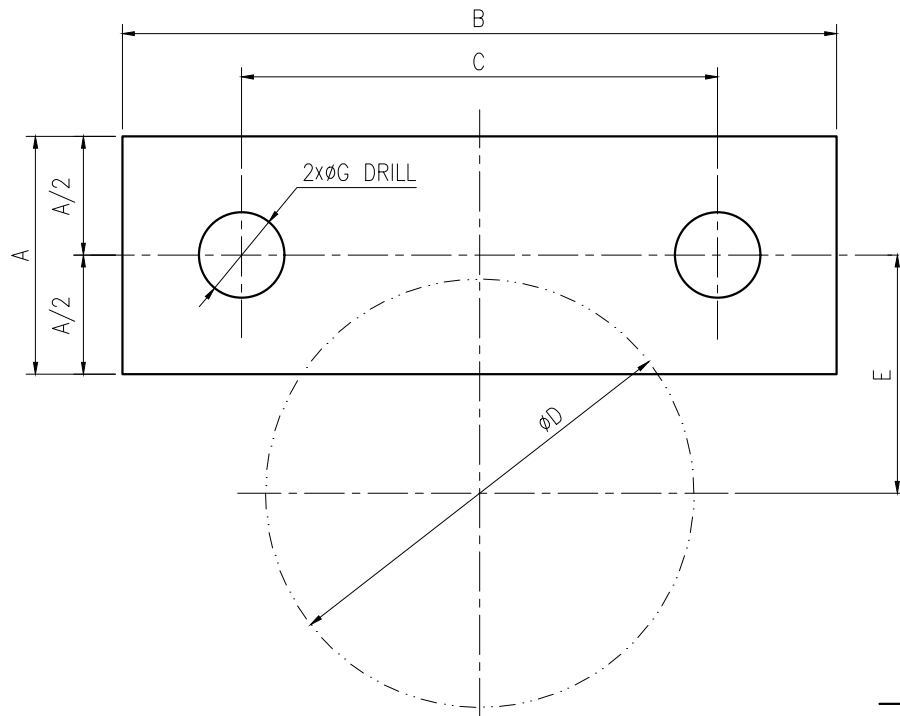
JINDO HOIST CRANE.CO.LTD



94	PL 15x230x230	SS41	4		24	
93	PL 15x230x230	SS41	2		12	
92	PL 15x260x660	SS41	2		31.9	
	PLATE ACC'Y		1			
NO	DESCRIPTION	MATERIAL	Q'TY	WEIGHT KG		REMARKS
				UNIT	TOTAL	
DATE : 2014. 02		SCALE : N/S		DRAWING No. : JD-630-P		
DRAWN BY J. H. GWAK		DESIGNED BY J,H,GWAK		CHECKED BY		APPROVED BY D,J,SIN
PROJECT TITLE TRAVELLING PLATE ACC'Y DRAWING				DRAWING TITLE φ630		



JINDO HOIST CRANE.CO.LTD



WHEEL NOTATION	A	B	C	D	E	F	G	WEIGHT KG/EA
φ 160	38	120	80	60	35	8	14	0.3
φ 200	38	120	80	70	40	8	14	0.3
φ 250	38	120	80	75	42.5	8	14	0.3
φ 315	50	150	100	80	45	8	14	0.5
φ 315S	38	120	80	60	35	8	18	0.3
φ 400	50	150	100	90	50	8	18	0.5
φ 400S	50	150	100	80	45	8	22	0.5
φ 500	50	170	120	105	57.5	10	18	0.7
φ 500S	50	150	100	90	50	8	22	0.5
φ 630	50	170	120	120	65	10	18	0.7
φ 630S	50	170	120	98	55	10	22	0.7
φ 710	55	210	150	130	67.5	12	18	1
φ 710S	50	170	120	110	60	10	22	0.7
φ 800	55	210	150	135	72.5	12	24	1
φ 800S	55	210	150	125	67.5	12	24	1

NO	DESCRIPTION	MATERIAL	Q'TY	SIZE	REMARKS
DATE : 2014. 02		SCALE : N/S		DRAWING No. : JD-630-K	
DRAWN BY J. H. GWAK		DESIGNED BY J,H,GWAK		CHECKED BY	APPROVED BY D,J,SIN
PROJECT TITLE TRAVELLING KEY PLATE DRAWING				DRAWING TITLE φ630	



JINDO HOIST CRANE.CO.LTD