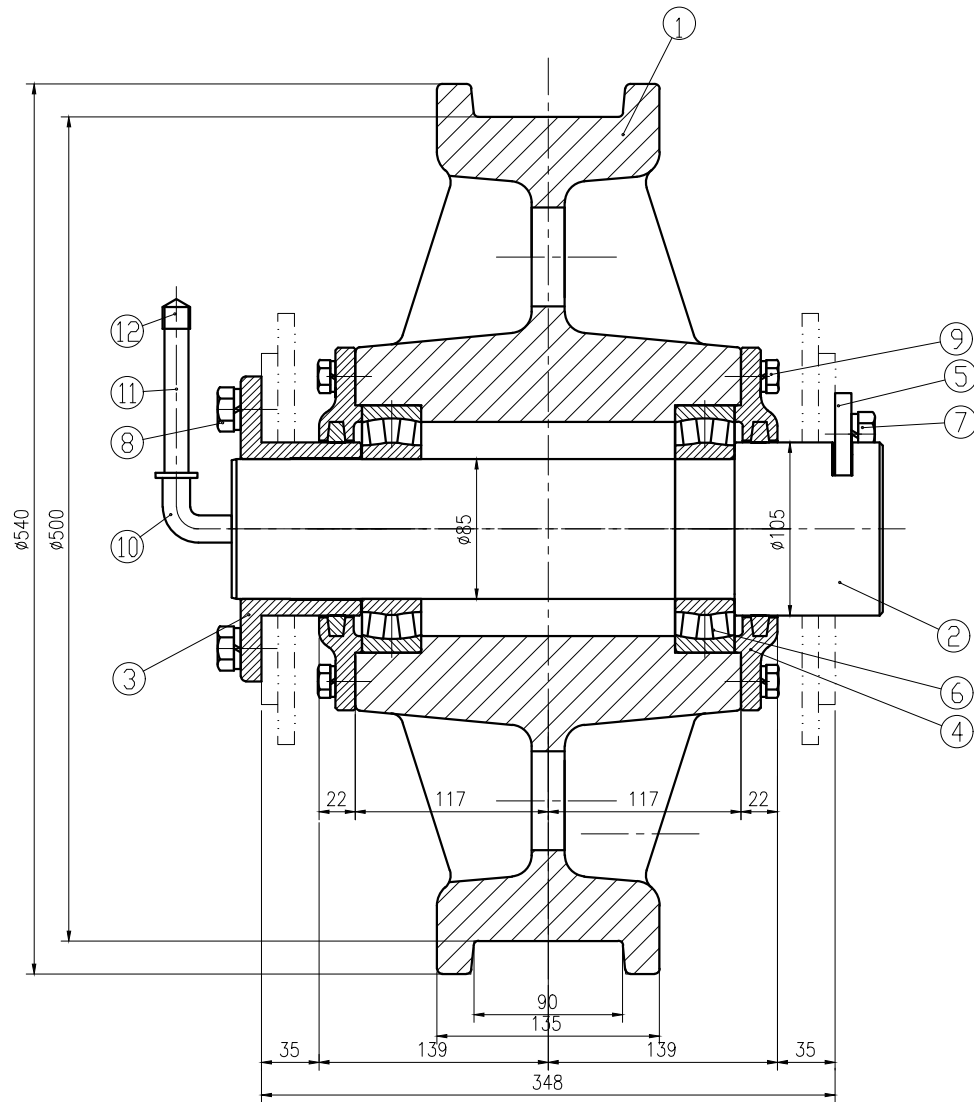


16	GREASE NIPPLE	PURCHASE	2		PT1/4'
15	PIPE	S.G.P	2		3/8'
14	ELBOW	PURCHASE	2		PT3/8'
13	BOLT, SW	4T	24		M12x 35Lx 25S
12	BOLT, SW	4T	8		M16x 35Lx 25S
11	BOLT, SW	4T	4		M16x 35Lx 25S
10	W/S		6		
9	HIGHTENSION BOLT A		6		
8	BEARING	PURCHASE	4		#22217
7	KEY PLATE	SS41	2		JD- $\phi 500$ -K
6	BUSH	S45CN	6		JD- $\phi 500$ -BU
5	BEARING COVER	SS41 OR FC20	4		JD- $\phi 500$ -BC
4	COLLAR	FCD40	2		JD- $\phi 500$ -C
3	SHAFT	S45CN	2		JD- $\phi 500$ -S
2	WHEEL GEAR	SC49	2		JD- $\phi 500$ -GR
1	DRIVING WHEEL	SCMn2A	2		JD- $\phi 500$ -D
	ASSY' OF DRIVING WHEEL		2		

NO	DESCRIPTION	MATERIAL	Q'TY	WEIGHT		REMARKS
				UNIT	TOTAL	
				KG	KG	
DATE : 2014. 02		SCALE : N/S		DRAWING No. :		JD-500-D
DRAWN BY J. H. GWAK		DESIGNED BY J, H, GWAK		CHECKED BY		APPROVED BY D, J, SIN
PROJECT TITLE TRAVELLING DRIVING DRAWING				DRAWING TITLE $\phi 500$		



JINDO HOIST CRANE.CO.LTD

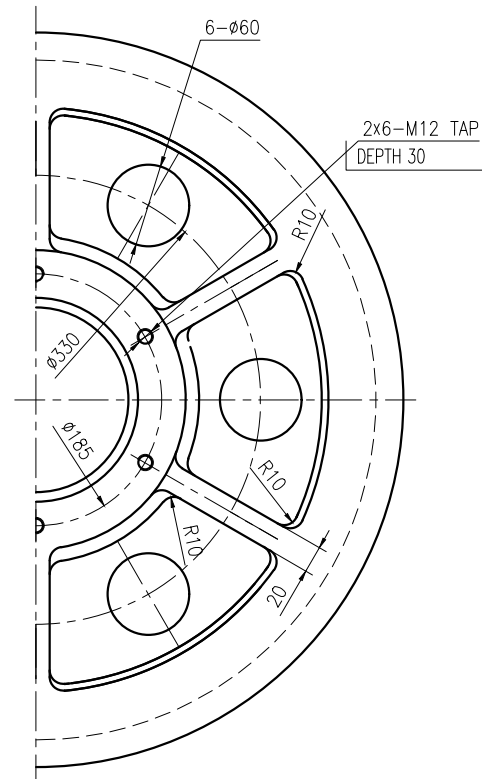
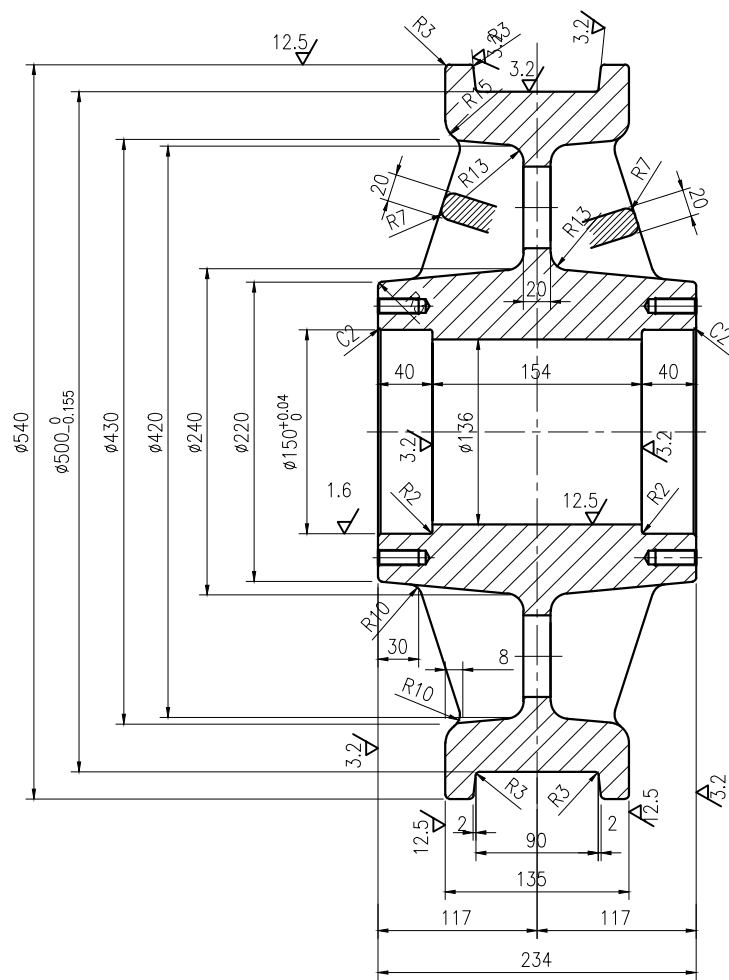


12	GREASE NIPPLE	PURCHASE	2			PT1/4"
11	PIPE	S.G.P	2			3/8"
10	ELBOW	PURCHASE	2			PT3/8"
9	BOLT,SW	4T	24			M12x 35Lx 25S
8	BOLT,SW	4T	8			M16x 35Lx 25S
7	BOLT,SW	4T	4			M16x 35Lx 25S
6	BEARING	PURCHASE	4			#22217
5	KEY PLATE	SS41	2			JD-φ500-K
4	BEARING COVER	SS41 OR FC20	4			JD-φ500-BC
3	COLLAR	FCD40	2			JD-φ500-C
2	SHAFT	S45CN	2			JD-φ500-S
1	FOLLOWING WHEEL	SCMn2A	2			JD-φ500-F
	ASSY OF FOLLOWING WHEEL		2			

NO	DESCRIPTION	MATERIAL	Q'TY	WEIGHT		REMARKS
				UNIT	TOTAL	
DATE : 2014. 02		SCALE : N/S		DRAWING No. :		JD-500-F
DRAWN BY J. H. GWAK		DESIGNED BY J,H,GWAK		CHECKED BY		APPROVED BY D,J,SIN
PROJECT TITLE TRAVELLING FOLLOWING DRAWING				DRAWING TITLE φ500		



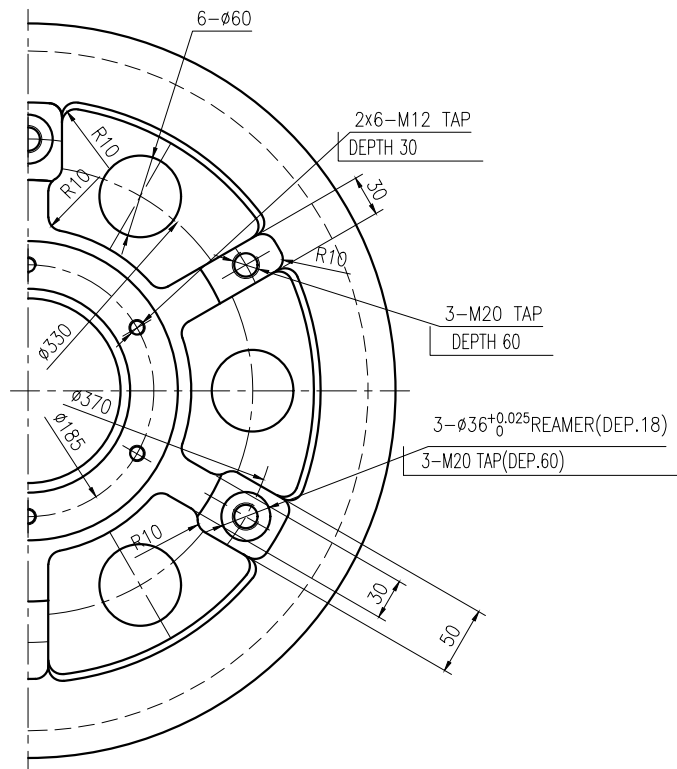
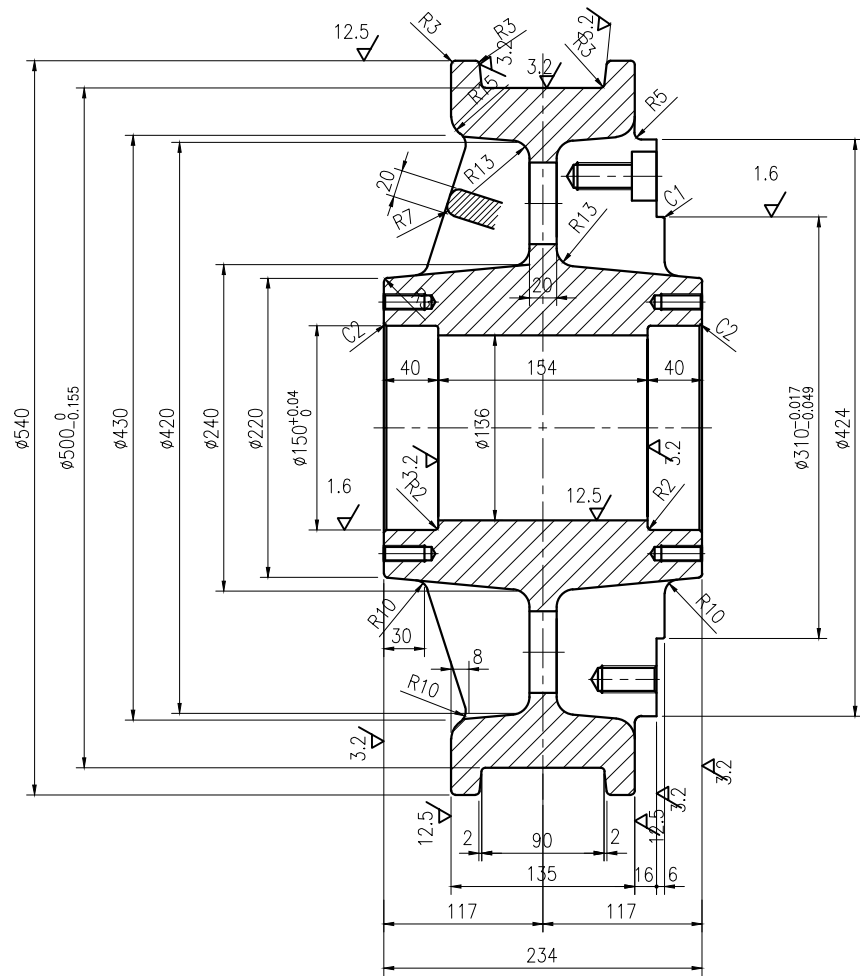
JINDO HOIST CRANE.CO.LTD



NO	DESCRIPTION	MATERIAL	Q'TY	SIZE	REMARKS
	DATE : 2014. 02	SCALE : N/S		DRAWING No. :	JD-500-F1
	DRAWN BY J. H. GWAK	DESIGNED BY J,H,GWAK		CHECKED BY	APPROVED BY D,J,SIN
	PROJECT TITLE TRAVELLING FOLLOWING DRAWING			DRAWING TITLE Ø500	



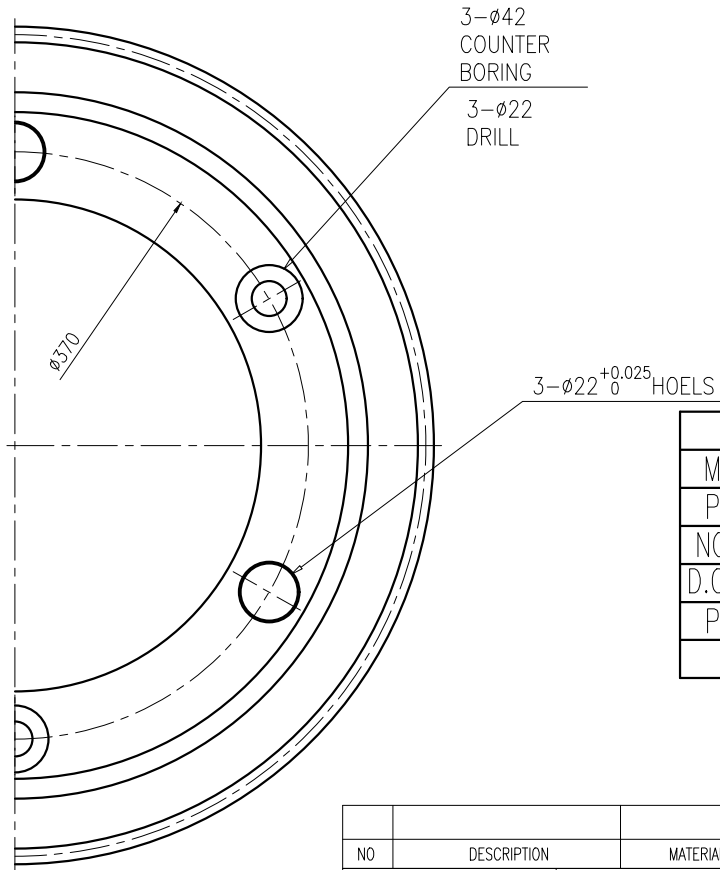
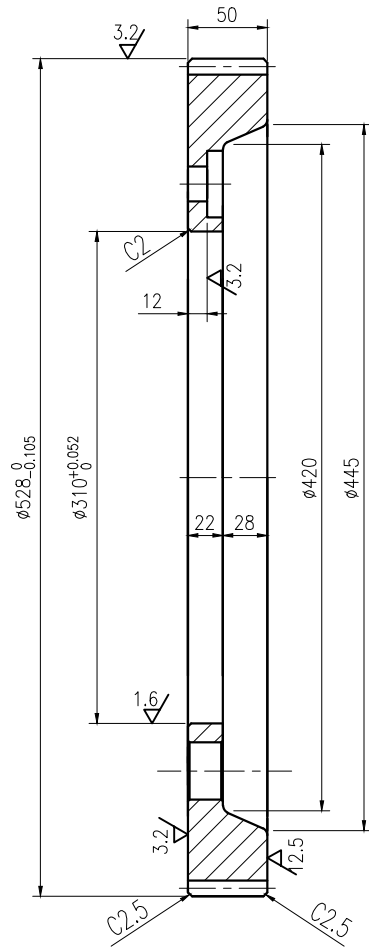
JINDO HOIST CRANE.CO.LTD



NO	DESCRIPTION	MATERIAL	Q'TY	SIZE	REMARKS
DATE : 2014. 02 SCALE : N/S DRAWING No. : JD-500-D1					
DRAWN BY J. H. GWAK		DESIGNED BY J,H,GWAK		CHECKED BY	APPROVED BY D,J,SIN
PROJECT TITLE TRAVELLING DRIVING DRAWING				DRAWING TITLE Ø500	



JINDO HOIST CRANE.CO.LTD

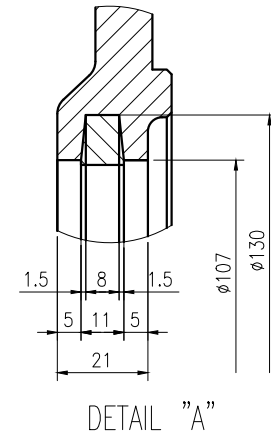
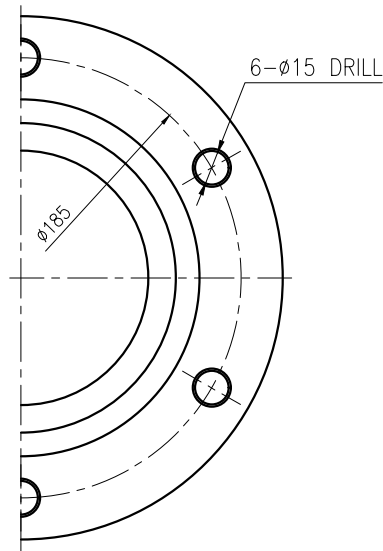
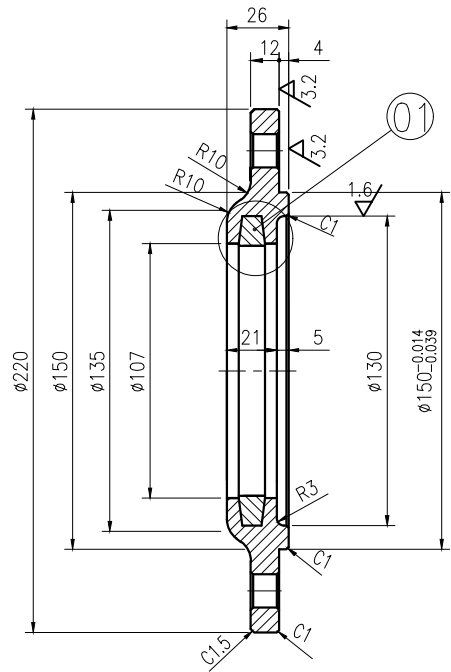


GEAR SPECIFICATION	
MODULE	6
PRESSURE	20°
NO.OF TEETH	86 ^T
D.O.G.N OF TEETH	10 ^T)175.5 ^{-0.12} _{-0.49}
P.C.D	φ516
	φ500

NO	DESCRIPTION	MATERIAL	Q'TY	SIZE	REMARKS
	DATE : 2014. 02	SCALE : N/S	DRAWING No. : JD-500-WG		
	DRAWN BY J. H. GWAK	DESIGNED BY J,H,GWAK	CHECKED BY	APPROVED BY D,J,SIN	
PROJECT TITLE TRAVELLING WHEEL GEAR DRAWING			DRAWING TITLE φ500		



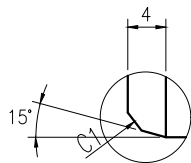
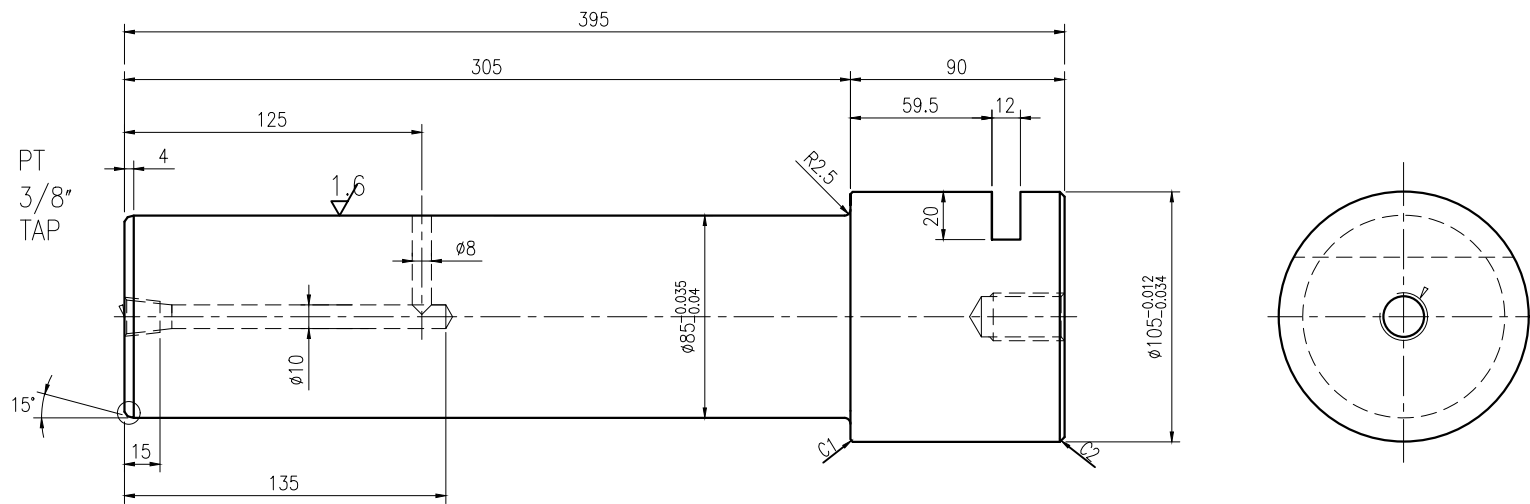
JINDO HOIST CRANE.CO.LTD



01	FELT PACHING	PURCGASE	8		9.5tx φ 105x φ 130
					φ225
NO	DESCRIPTION	MATERIAL	Q'TY	SIZE	REMARKS
DATE : 2014. 02		SCALE : N/S		DRAWING No. : JD-500-BC	
DRAWN BY J. H. GWAK		DESIGNED BY J,H,GWAK		CHECKED BY APPROVED BY D,J,SIN	
PROJECT TITLE TRAVELLING BEARING COVER DRAWING				DRAWING TITLE φ500	



JINDO HOIST CRANE.CO.LTD

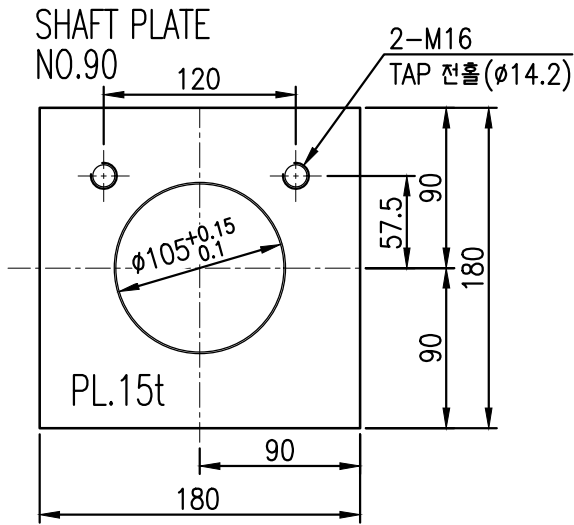
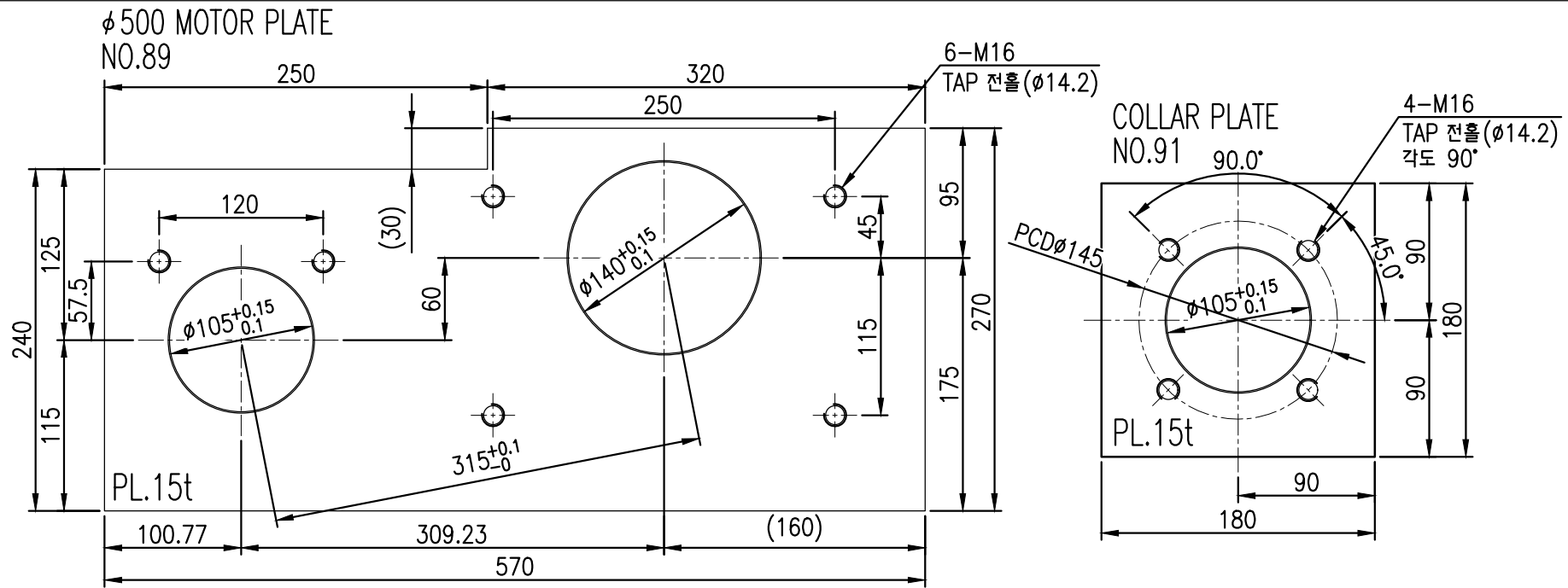


A
2:1

NO	DESCRIPTION	MATERIAL	Q'TY	SIZE	REMARKS
DATE : 2014. 02		SCALE : N/S		DRAWING No. : JD-500-S	
DRAWN BY J. H. GWAK		DESIGNED BY J,H,GWAK		CHECKED BY	APPROVED BY D,J,SIN
PROJECT TITLE TRAVELLING SHAFT DRAWING				DRAWING TITLE ø500	

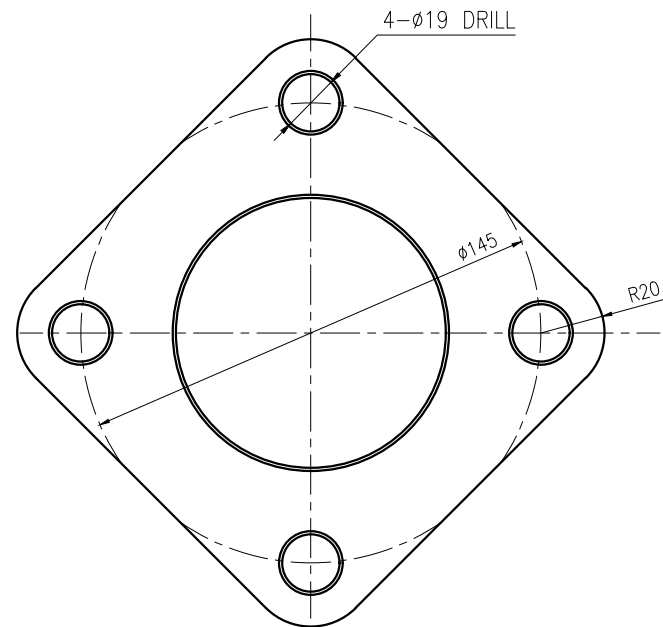
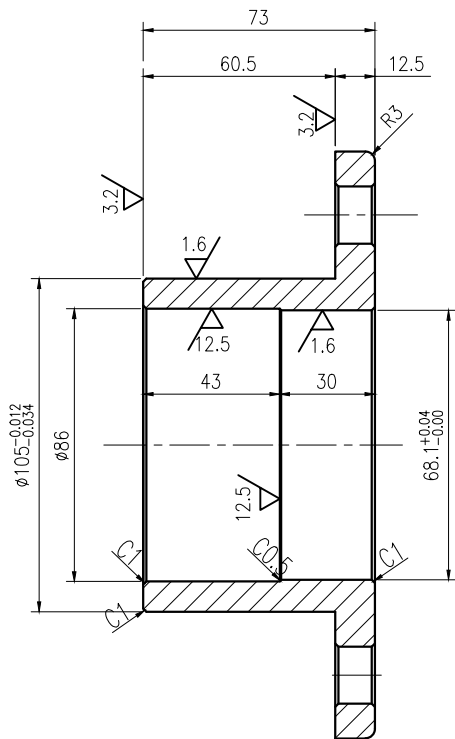


JINDO HOIST CRANE.CO.LTD



91	PL 15x180x180	SS41	4		14.76	
90	PL 15x180x180	SS41	2		7.38	
89	PL 15x270x570	SS41	2		33.9	
	PLATE ACC'Y		1			
NO	DESCRIPTION	MATERIAL	Q'TY	UNIT	TOTAL	REMARKS
				WEIGHT KG		

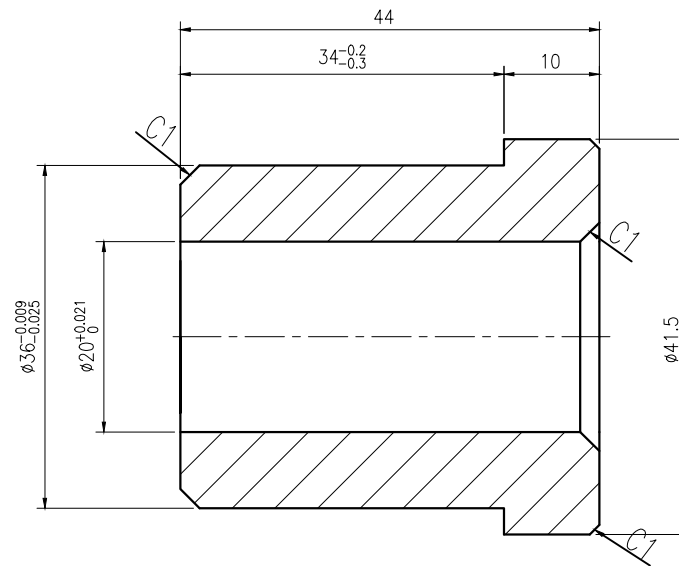
DATE : 2014. 02	SCALE : N/S	DRAWING No. : JD-500-P	
DRAWN BY J. H. GWAK	DESIGNED BY J,H,GWAK	CHECKED BY	APPROVED BY D,J,SIN
PROJECT TITLE TRAVELLING PLATE ACC'Y DRAWING		DRAWING TITLE ø500	



NO	DESCRIPTION	MATERIAL	Q'TY	SIZE	REMARKS
DATE : 2014. 02		SCALE : N/S		DRAWING No. : JD-500-C	
DRAWN BY J. H. GWAK		DESIGNED BY J,H,GWAK		CHECKED BY APPROVED BY D,J,SIN	
PROJECT TITLE TRAVELLING COLLAR DRAWING				DRAWING TITLE Ø500	



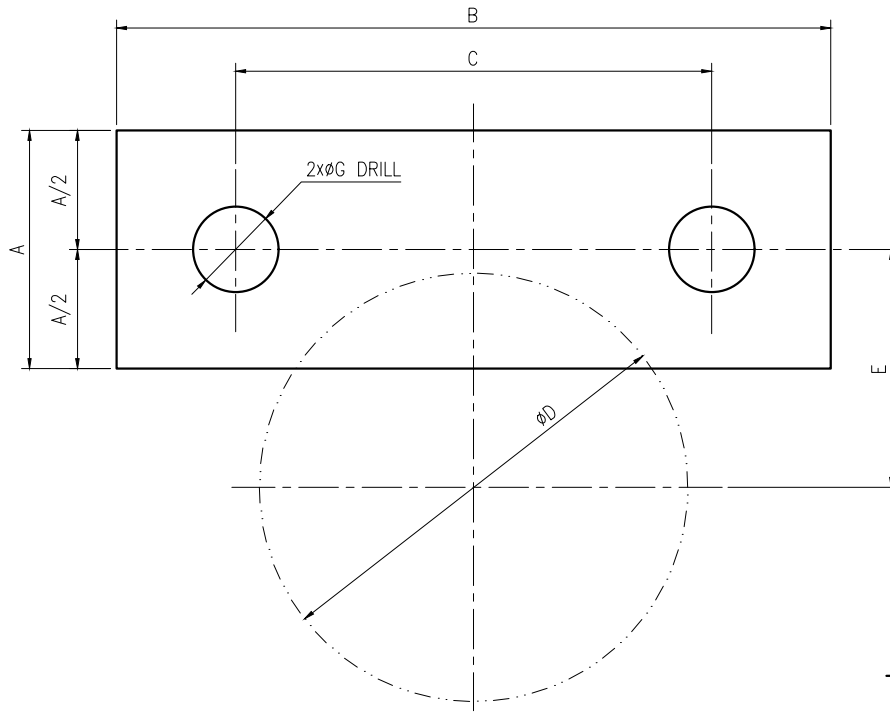
JINDO HOIST CRANE.CO.LTD



NO	DESCRIPTION	MATERIAL	Q'TY	SIZE	REMARKS
	DATE : 2014. 02	SCALE : N/S		DRAWING No. :	JD-500-B
	DRAWN BY J. H. GWAK	DESIGNED BY J,H,GWAK		CHECKED BY	APPROVED BY D,J,SIN
	PROJECT TITLE TRAVELLING BUSH DRAWING			DRAWING TITLE $\phi 500$	



JINDO HOIST CRANE.CO.LTD



WHEEL NOTATION	A	B	C	D	E	F	G	WEIGHT KG/EA
φ 160	38	120	80	60	35	8	14	0.3
φ 200	38	120	80	70	40	8	14	0.3
φ 250	38	120	80	75	42.5	8	14	0.3
φ 315	50	150	100	80	45	8	14	0.5
φ 315S	38	120	80	60	35	8	18	0.3
φ 400	50	150	100	90	50	8	18	0.5
φ 400S	50	150	100	80	45	8	22	0.5
φ 500	50	170	120	105	57.5	10	18	0.7
φ 500S	50	150	100	90	50	8	22	0.5
φ 630	50	170	120	120	65	10	18	0.7
φ 630S	50	170	120	100	55	10	22	0.7
φ 710	55	210	150	130	67.5	12	18	1
φ 710S	50	170	120	110	60	10	22	0.7
φ 800	55	210	150	135	72.5	12	24	1
φ 800S	55	210	150	125	67.5	12	24	1

NO	DESCRIPTION	MATERIAL	Q'TY	SIZE	REMARKS
DATE : 2014. 02		SCALE : N/S		DRAWING No. : JD-500-K	
DRAWN BY J. H. GWAK		DESIGNED BY J,H,GWAK		CHECKED BY	APPROVED BY D,J,SIN
PROJECT TITLE TRAVELLING KEY PLAET DRAWING				DRAWING TITLE φ500	



JINDO HOIST CRANE.CO.LTD