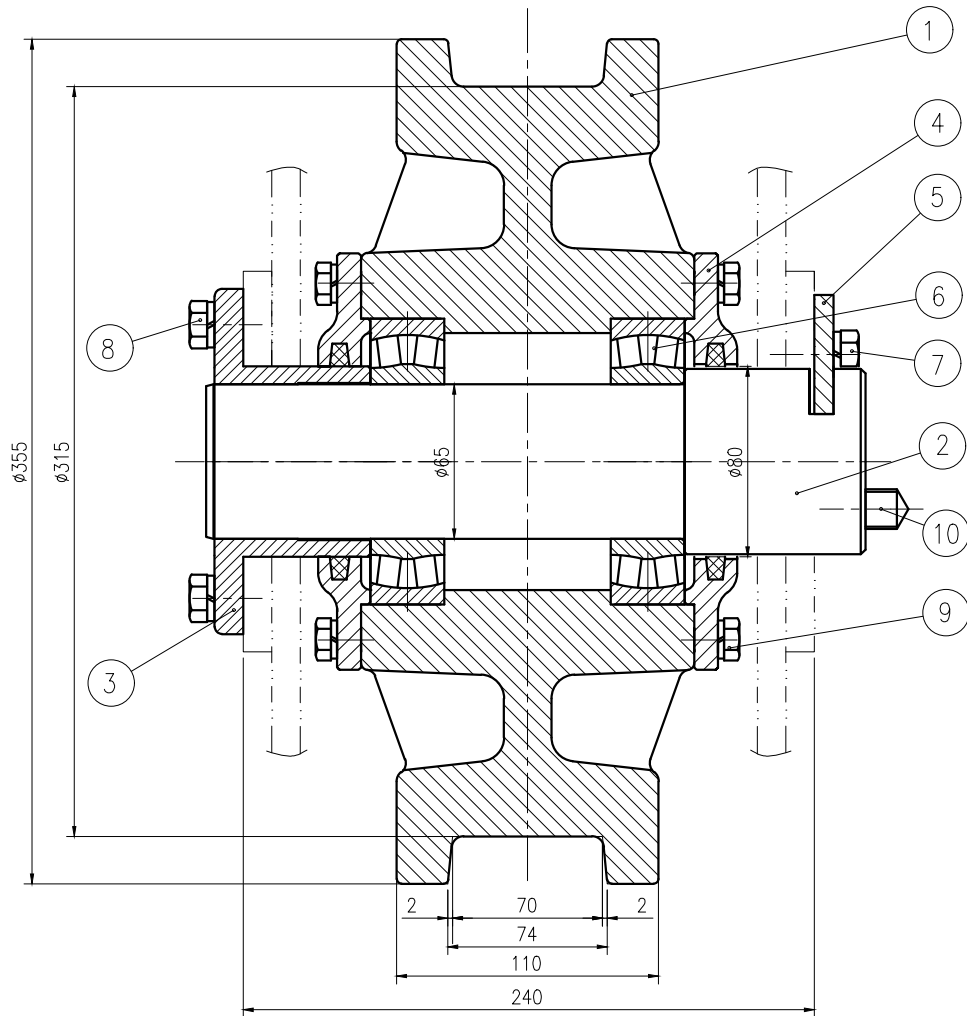


10	GREASE NIPPLE	PURCHASE	2		PT1/4"
9	BOLT.SW	4T	24		M10× 30L× 25S
8	BOLT.SW	4T	8		M12× 30L× 20S
7	BOLT.SW	4T	4		M12× 35L× 25S
6	BEARING	PURCHASE	4		#22213
5	KEY PLATE	SS41	2		JD-φ 315-K
4	BEARING COVER	SS41 OR FC20	4		JD-φ 315-BC
3	COLLAR	FCD40	2		JD-φ 315-C
2	SHAFT	S45CN	2		JD-φ 315-S
1	DRIVING WHEEL	SCMn2A	2		JD-φ 315-D
	ASS'Y OF DRIVING WHEEL		2		

NO	DESCRIPTION	MATERIAL	Q'TY	WEIGHT KG		REMARKS
				UNIT	TOTAL	
DATE : 2014. 02		SCALE : N/S		DRAWING No. :		JD-315-D
DRAWN BY J. H. GWAK		DESIGNED BY J,H,GWAK		CHECKED BY		APPROVED BY D,J,SIN
PROJECT TITLE TRAVELLING DRIVING DRAWING				DRAWING TITLE φ315		



JINDO HOIST CRANE.CO.LTD

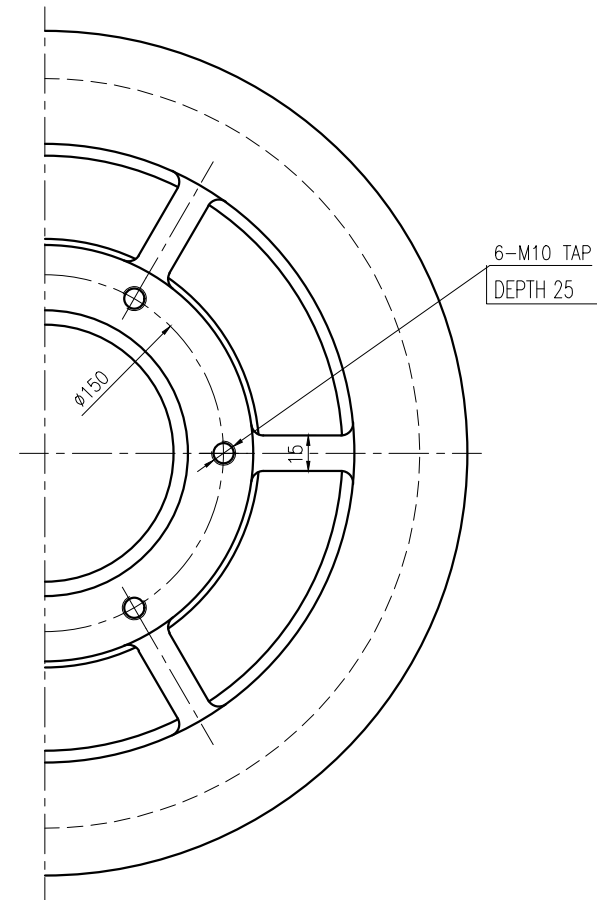
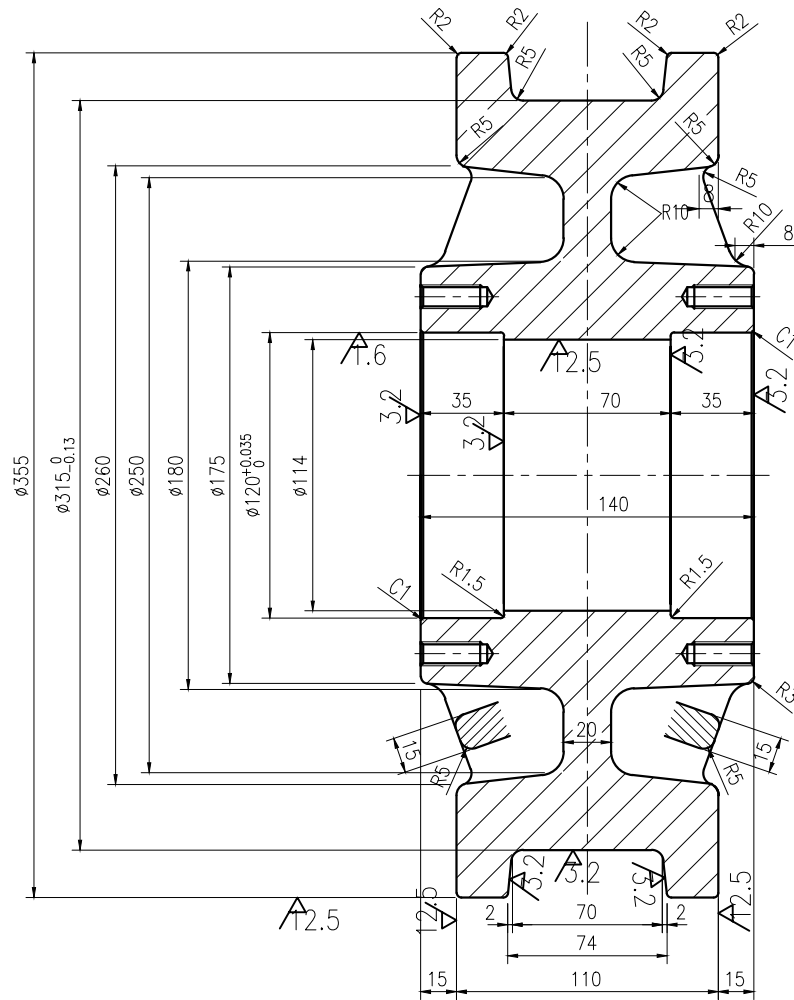


10	GREASE NIPPLE	PURCHASE	2		PT1/4"
9	BOLT.SW	4T	24		M10× 30L× 25S
8	BOLT.SW	4T	8		M12× 30L× 20S
7	BOLT.SW	4T	4		M12× 35L× 25S
6	BEARING	PURCHASE	4		#22213
5	KEY PLATE	SS41	2		JD-ø 315-K
4	BEARING COVER	SS41 OR FC20	4		JD-ø 315-BC
3	COLLAR	FCD40	2		JD-ø 315-C
2	SHAFT	S45CN	2		JD-ø 315-S
1	FOLLOWING WHEEL	SCMn2A	2		JD-ø 315-F
	ASS'Y OF FOLLOWING WHEEL		2		

NO	DESCRIPTION	MATERIAL	Q'TY	WEIGHT KG		REMARKS
				UNIT	TOTAL	
DATE : 2014. 02		SCALE : N/S		DRAWING No. :		JD-315-F
DRAWN BY J. H. GWAK		DESIGNED BY J,H,GWAK		CHECKED BY		APPROVED BY D,J,SIN
PROJECT TITLE TRAVELLING FOLLOWING DRAWING				DRAWING TITLE ø315		



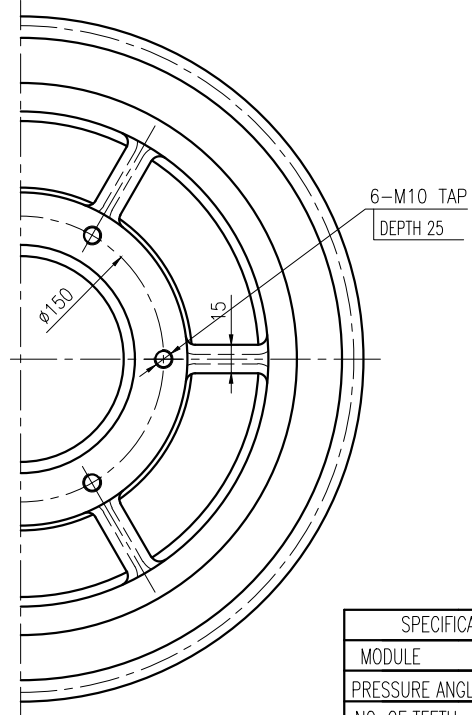
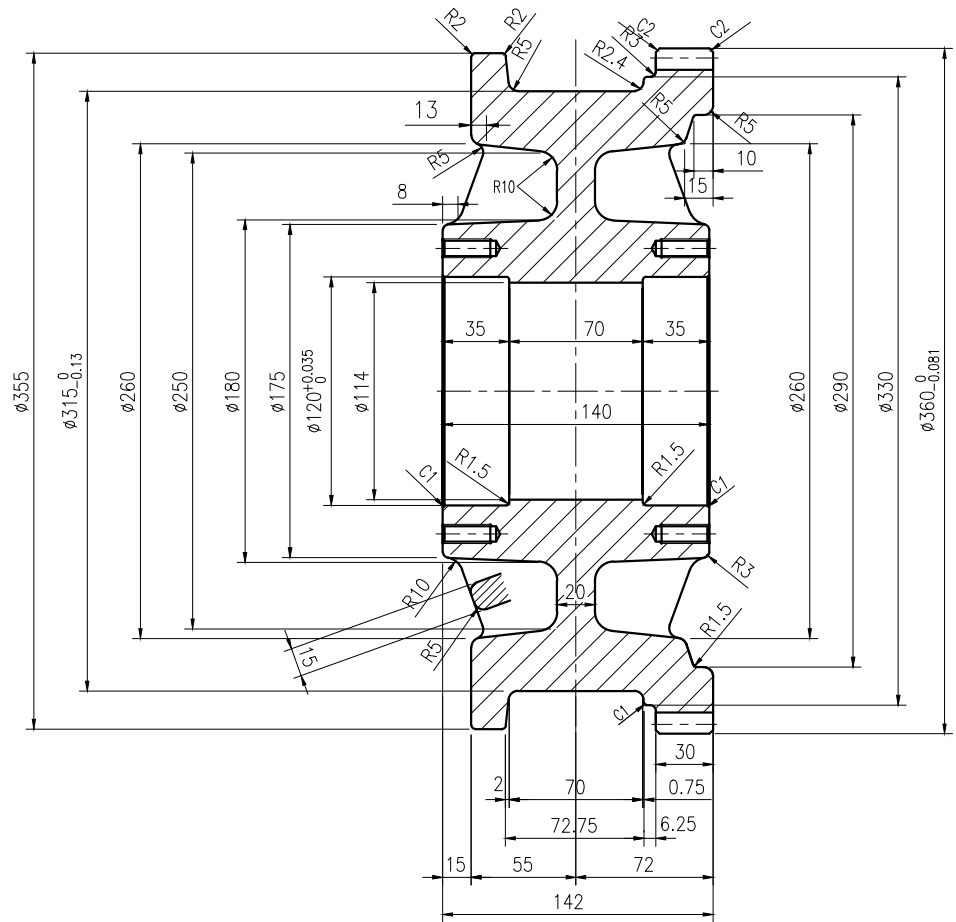
JINDO HOIST CRANE.CO.LTD



DATE : 2014. 02	SCALE : N/S	DRAWING No. : JD-315-F1	
DRAWN BY J. H. GWAK	DESIGNED BY J,H,GWAK	CHECKED BY	APPROVED BY D,J,SIN
PROJECT TITLE TRAVELLING FOLLOWING DRAWING		DRAWING TITLE ø315	



JINDO HOIST CRANE.CO.LTD

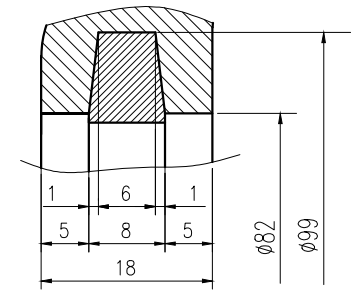
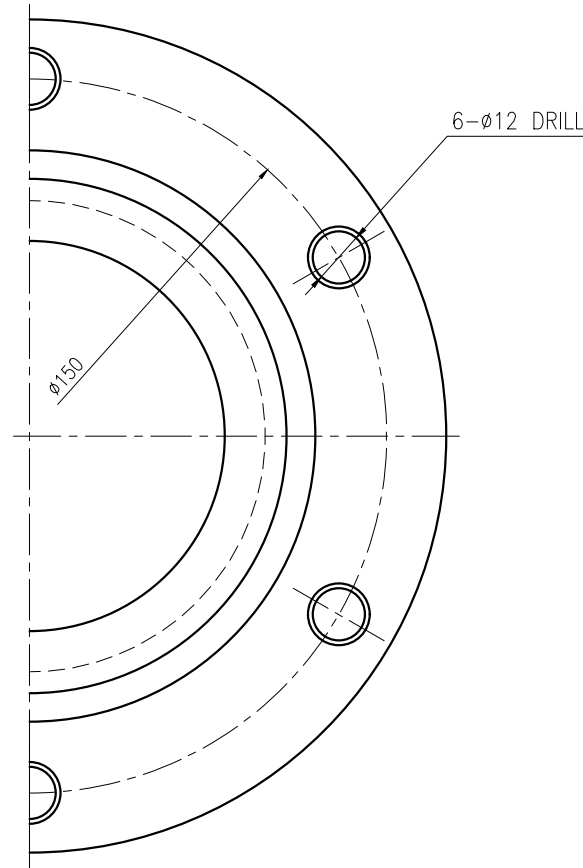
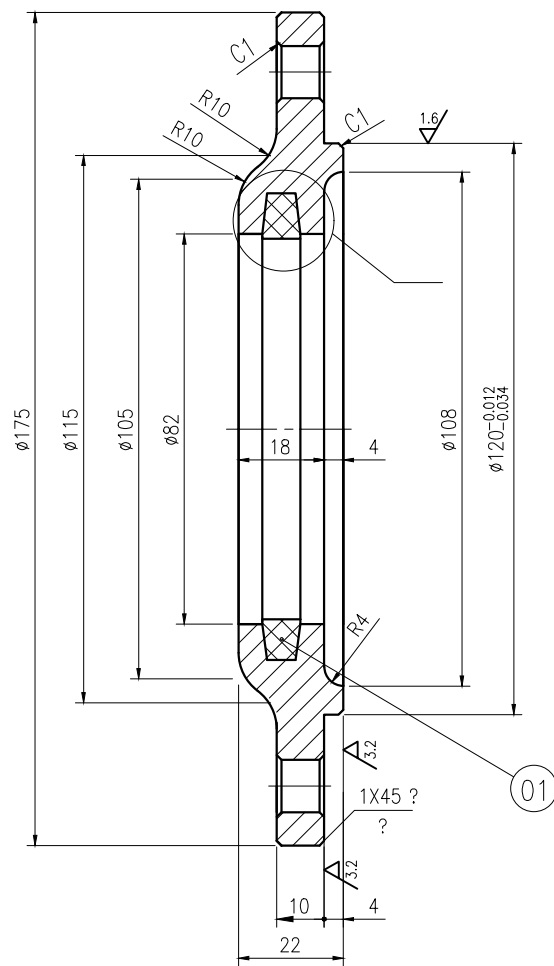


SPECIFICATION	
MODULE	5
PRESSURE ANGLE	20°
NO. OF TEETH	70T
D.O.G.N OF TEETH	(8T)115.607 ^{-0.1} _{-0.4}
P.C.D	$\phi 350$

DATE : 2014. 02	SCALE : N/S	DRAWING No. : JD-315-D1	
DRAWN BY J. H. GWAK	DESIGNED BY J,H,GWAK	CHECKED BY	APPROVED BY D,J,SIN
PROJECT TITLE TRAVELLING DRIVING DRAWING		DRAWING TITLE $\phi 315$	



JINDO HOIST CRANE.CO.LTD

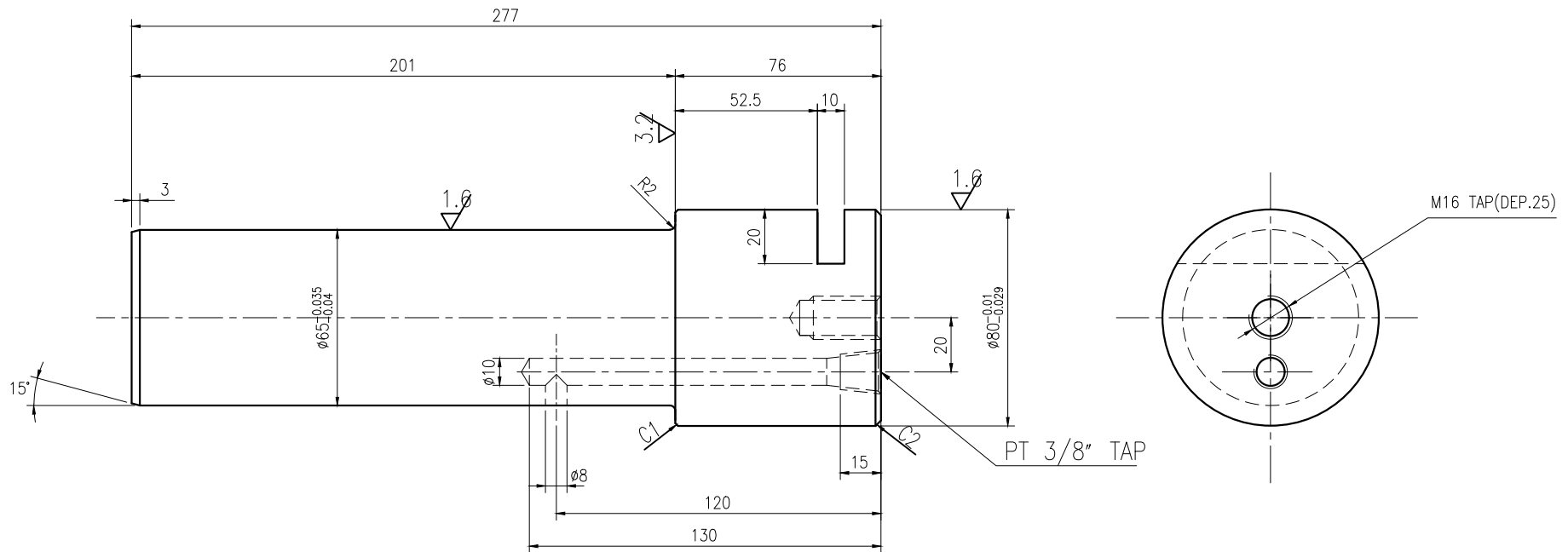


DETAIL A
SCALE=2:1

01	FELT PACKING	PURCHASE	8		7t x $\phi 80$ x $\phi 99$
					$\phi 180$
NO	DESCRIPTION	MATERIAL	Q'TY	SIZE	REMARKS
DATE : 2014. 02		SCALE : N/S		DRAWING No. : JD-315-F	
DRAWN BY J. H. GWAK		DESIGNED BY J,H,GWAK		CHECKED BY APPROVED BY D,J,SIN	
PROJECT TITLE TRAVELLING FELT PACKING DRAWING				DRAWING TITLE $\phi 315$	



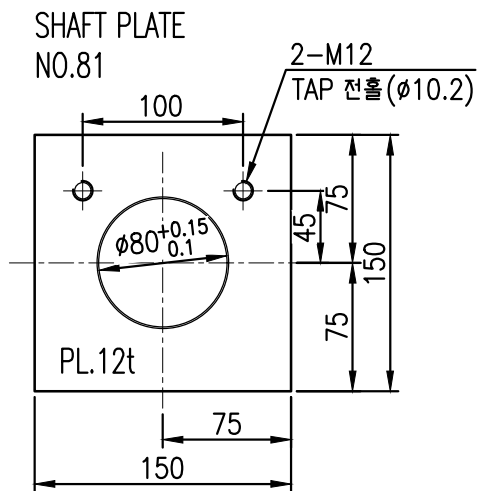
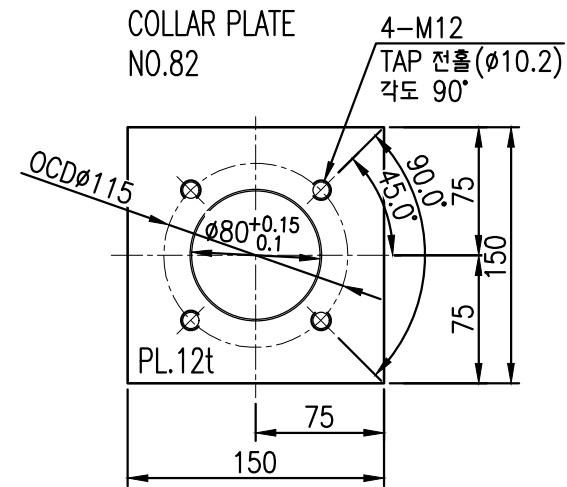
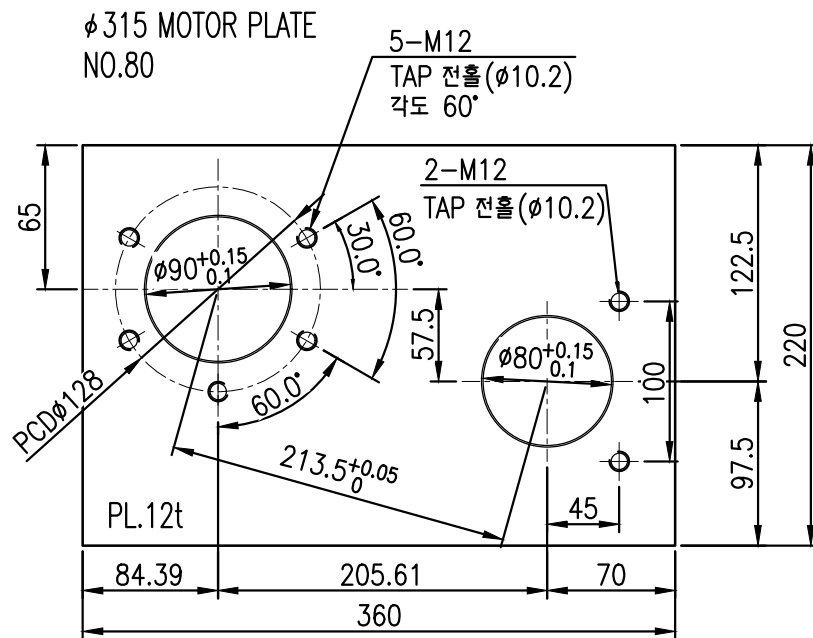
JINDO HOIST CRANE.CO.LTD



NO	DESCRIPTION	MATERIAL	Q'TY	SIZE	REMARKS
					Φ58*285L
DATE : 2014. 02		SCALE : N/S		DRAWING No. : JD-315-C	
DRAWN BY J. H. GWAK		DESIGNED BY J,H,GWAK		CHECKED BY APPROVED BY D,J,SIN	
PROJECT TITLE TRAVELLING DRIVING PLAET DRAWING				DRAWING TITLE Φ315	



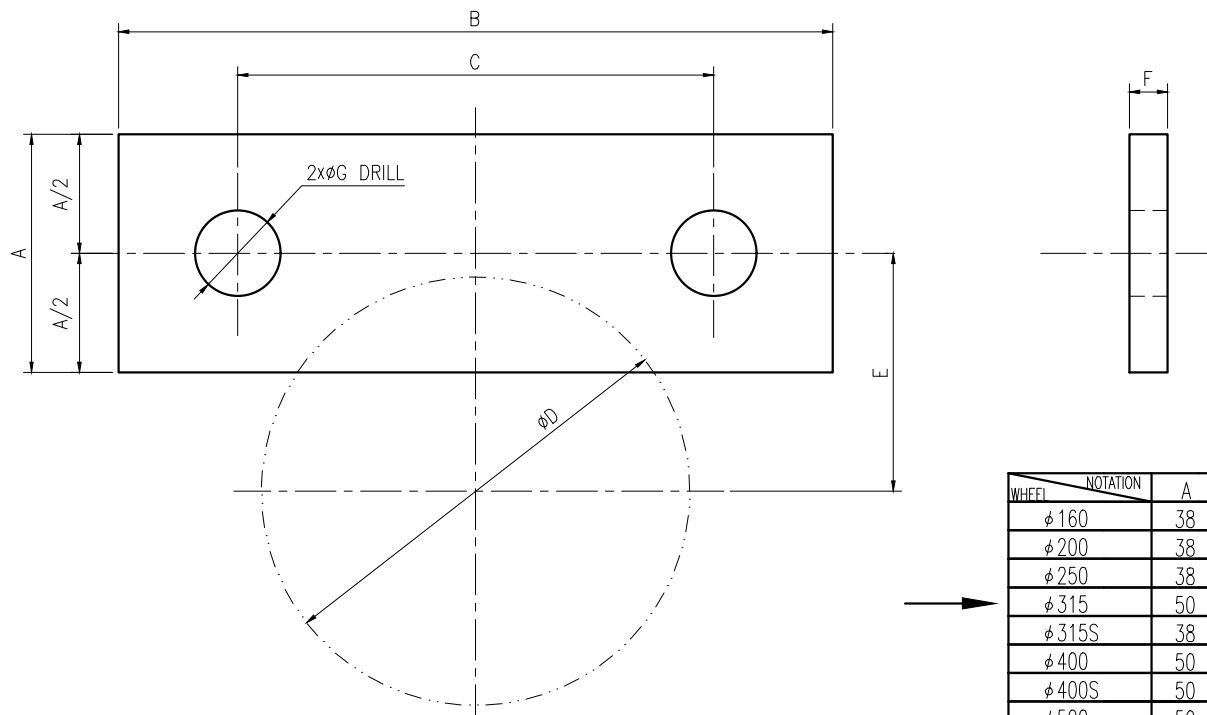
JINDO HOIST CRANE.CO.LTD



82	PL 12x150x150	SS41	4		7.74
81	PL 12x150x150	SS41	2		3.87
80	PL 12x220x360	SS41	2		15.28
DATE : 2014. 02		SCALE : N/S		DRAWING No. : JD-315-P	
DRAWN BY J. H. GWAK		DESIGNED BY J,H,GWAK		CHECKED BY	APPROVED BY D,J,SIN
PROJECT TITLE TRAVELLING PLAET DRAWING				DRAWING TITLE φ315	



JINDO HOIST CRANE.CO.LTD



WHEEL	NOTATION	A	B	C	D	E	F	G	WEIGHT KG/EA
φ 160		38	120	80	60	35	8	14	0.3
φ 200		38	120	80	70	40	8	14	0.3
φ 250		38	120	80	75	42.5	8	14	0.3
φ 315		50	150	100	80	45	8	14	0.5
φ 315S		38	120	80	60	35	8	18	0.3
φ 400		50	150	100	90	50	8	18	0.5
φ 400S		50	150	100	80	45	8	22	0.5
φ 500		50	170	120	105	57.5	10	18	0.7
φ 500S		50	150	100	90	50	8	22	0.5
φ 630		50	170	120	120	65	10	18	0.7
φ 630S		50	170	120	98	55	10	22	0.7
φ 710		55	210	150	130	67.5	12	18	1
φ 710S		50	170	120	110	60	10	22	0.7
φ 800		55	210	150	135	72.5	12	24	1
φ 800S		55	210	150	125	67.5	12	24	1

DATE : 2014. 02	SCALE : N/S	DRAWING No. : JD-315-K	
DRAWN BY J. H. GWAK	DESIGNED BY J,H,GWAK	CHECKED BY	APPROVED BY D,J,SIN
PROJECT TITLE TRAVELLING KEY PLAET DRAWING		DRAWING TITLE φ315	



JINDO HOIST CRANE.CO.LTD