

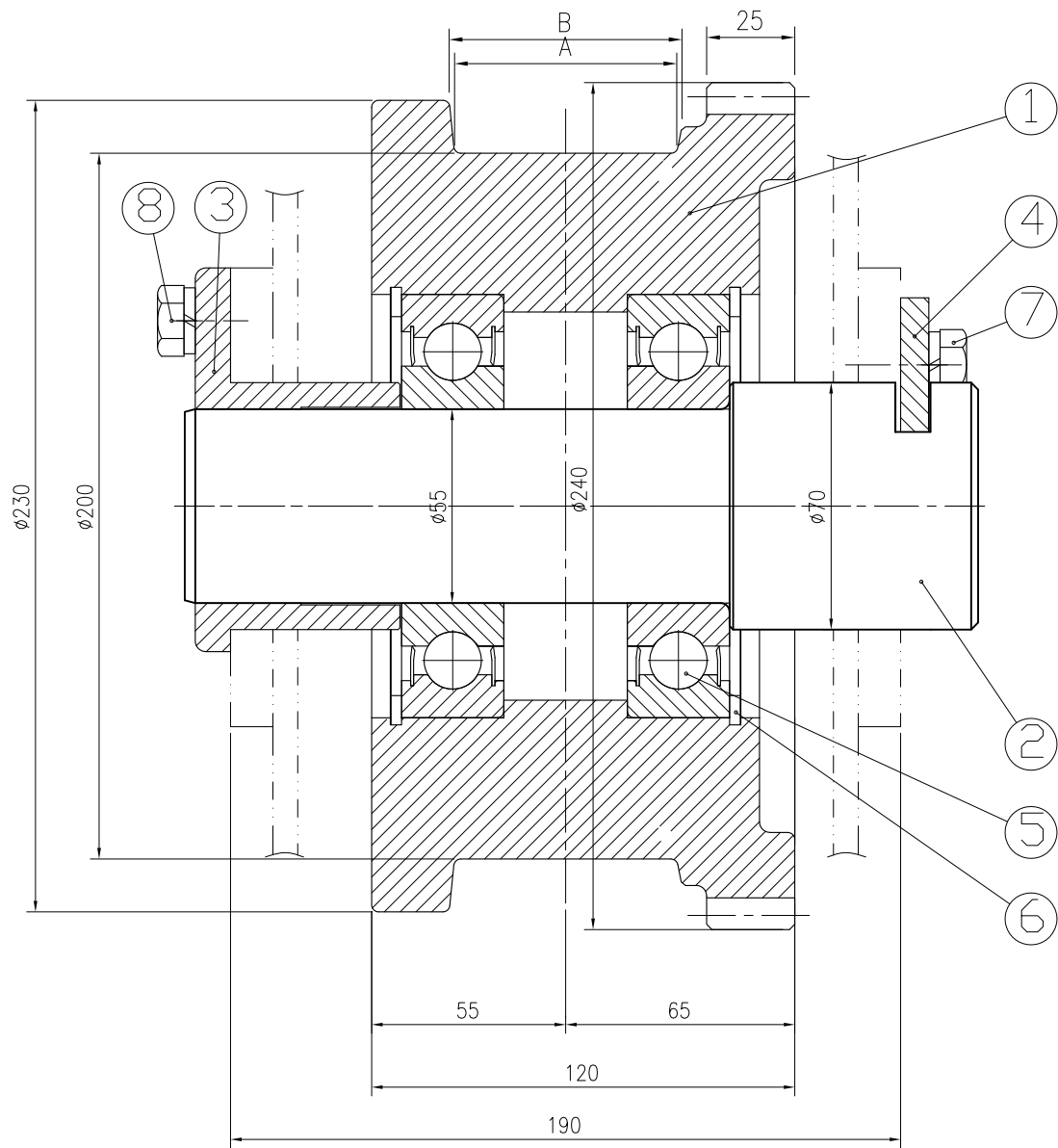
RAIL SIZE	NOTATION	A	B
15,22 KG/M		63	66
30,37 KG/M		72	75

8	BOLT,SW	4T	6		M12×25L×15S
7	BOLT,SW	4T	4		M12×30L×20S
6	SNAP RING	PURCHASE	4		φ120
5	BEARING	PURCHASE	4		#6311-2Z
4	KEY PLATE	SS41	2		JD-φ200-K
3	COLLAR	FCD40	2		JD-φ200-C
2	SHAFT	S45CN	2		JD-φ200-S
1	FOLLOWING WHEEL	S45CN	2		JD-φ200-F1
ASS'Y OF FOLLOWING WHEEL					

DATE : 2014. 02	SCALE : N/S	DRAWING No. : JD-200-F	
DRAWN BY J. H. GWAK	DESIGNED BY J,H,GWAK	CHECKED BY	APPROVED BY D,J,SIN
PROJECT TITLE TRAVELLING DRIVING PLAET DRAWING		DRAWING TITLE φ200	



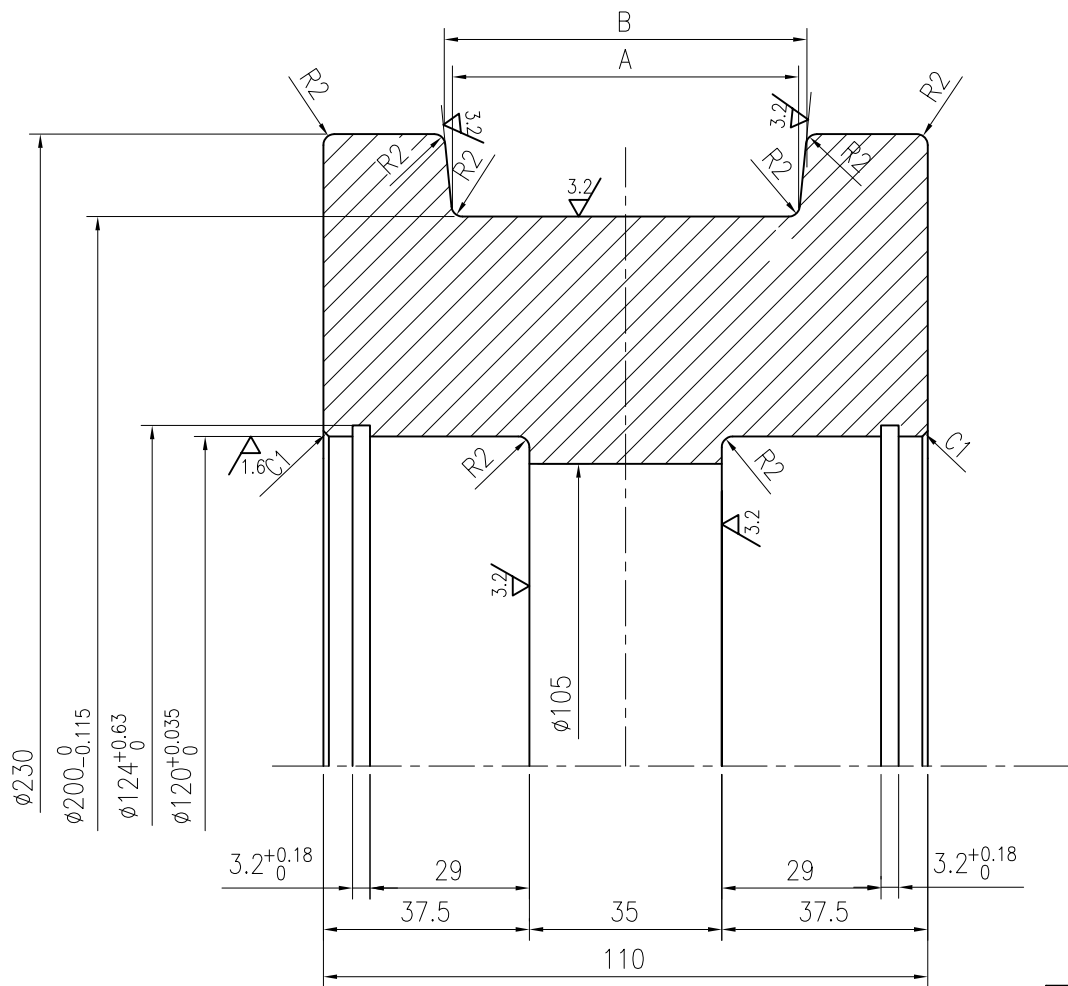
JINDO HOIST CRANE.CO.LTD



RAIL SIZE	NOTATION	A	B
15,22 KG/M		63	66
30,37 KG/M		72	75

8	BOLT,SW	4T	6		M12×25L×15S
7	BOLT,SW	4T	4		M12×30L×20S
6	SNAP RING	PURCHASE	4		φ120
5	BEARING	PURCHASE	4		#6311-2Z
4	KEY PLATE	SS41	2		JD-φ200-K
3	COLLAR	FCD40	2		JD-φ200-C
2	SHAFT	S45CN	2		JD-φ200-S
1	DRIVING WHEEL	S45CN	2		JD-φ200-D
	ASS'Y OF DRIVING WHEEL		2		

DATE : 2014. 02	SCALE : N/S	DRAWING No. : JD-200-D	
DRAWN BY J. H. GWAK	DESIGNED BY J,H,GWAK	CHECKED BY	APPROVED BY D,J,SIN
PROJECT TITLE TRAVELLING DRIVING PLAET DRAWING		DRAWING TITLE φ200	

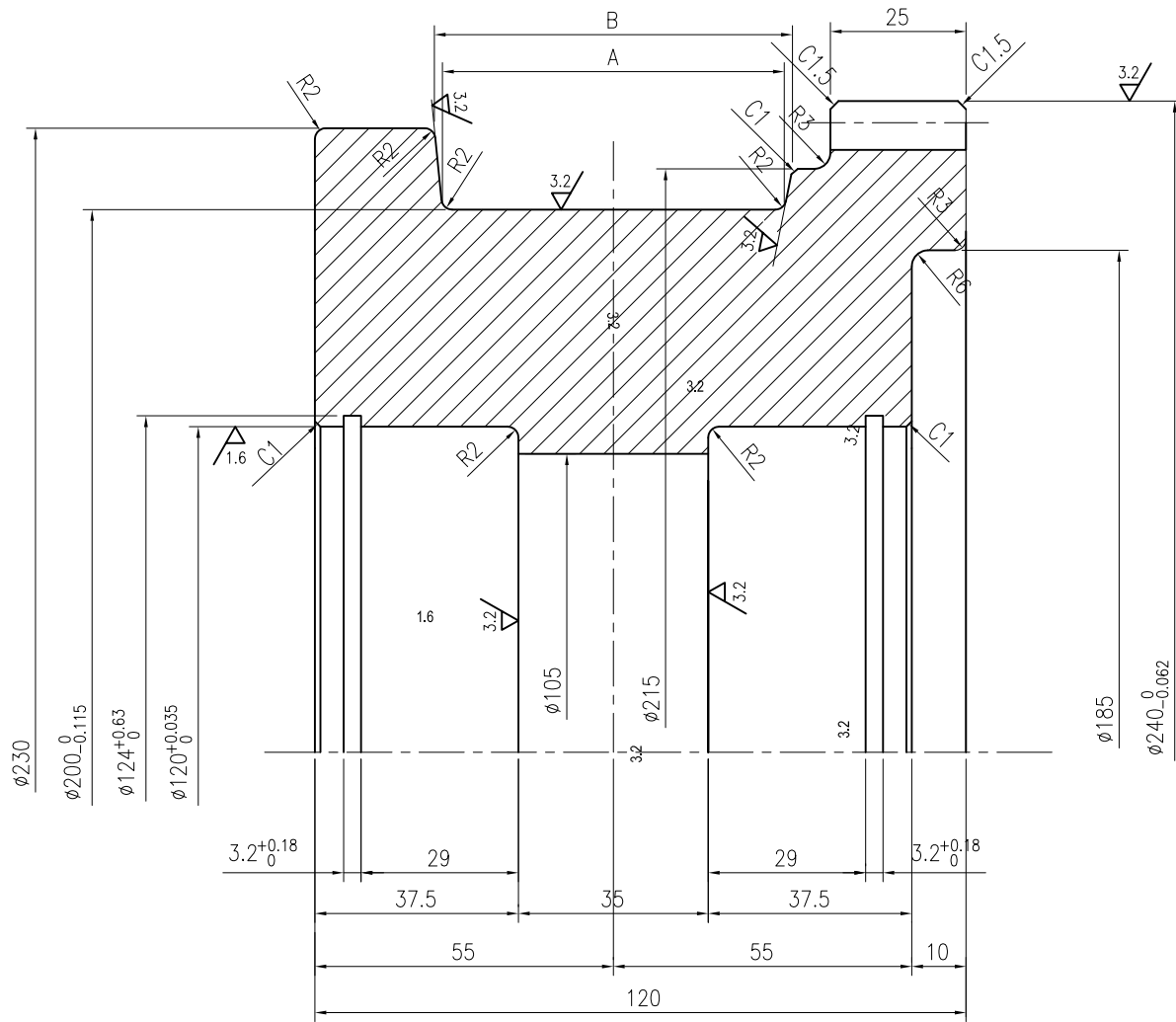


RAIL SIZE	NOTATION	A	B
15,22 KG/M		63	66
30,37 KG/M		72	75

	FOLLOWING WHEEL	S45CN	2		Φ 240*20L
NO	DESCRIPTION	MATERIAL	Q'TY	SIZE	REMARKS
DATE : 2014. 02		SCALE : N/S		DRAWING No. : JD-200-F1	
DRAWN BY J. H. GWAK		DESIGNED BY J,H,GWAK		CHECKED BY	APPROVED BY D,J,SIN
PROJECT TITLE TRAVELLING FOLLOWING DRAWING				DRAWING TITLE ø200	



JINDO HOIST CRANE.CO.LTD



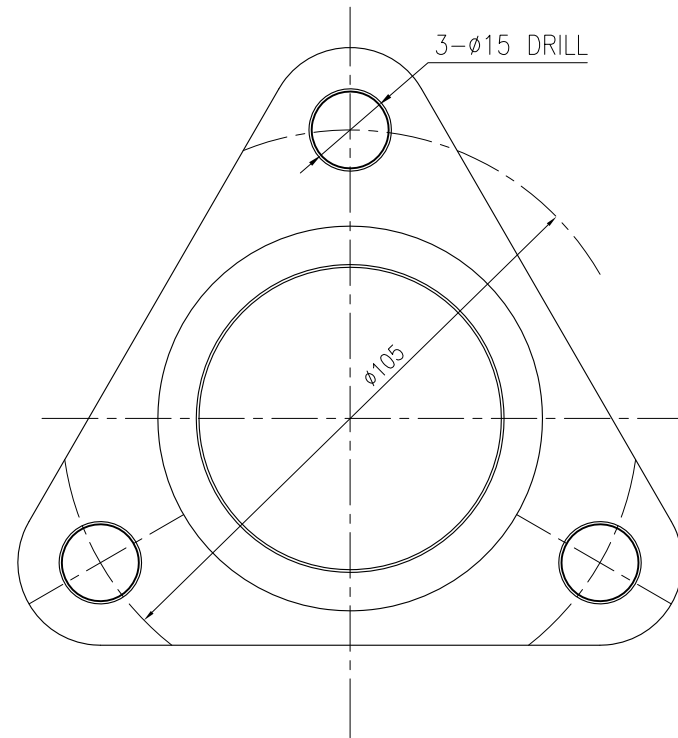
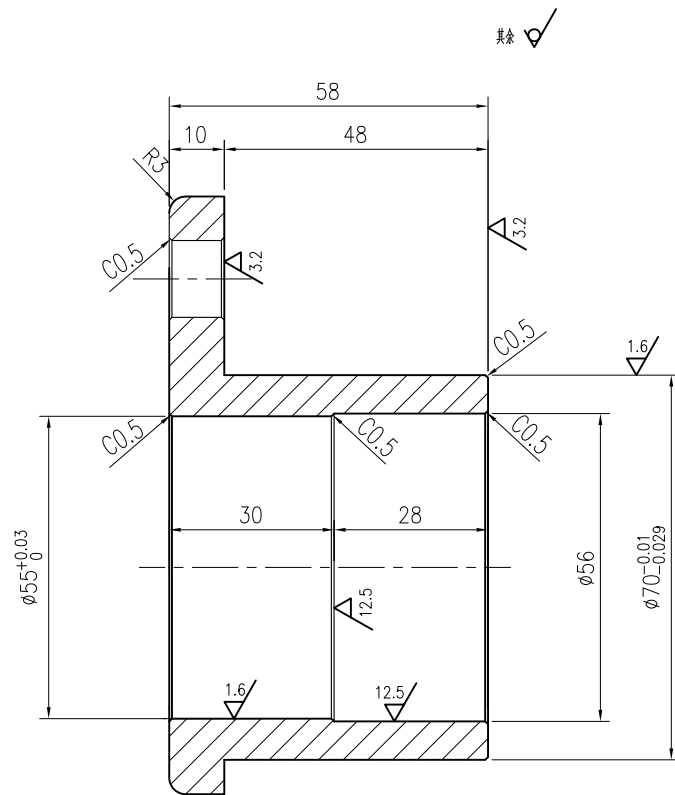
RAIL SIZE	NOTATION	A	B
15,22 KG/M		63	66
30,37 KG/M		72	75

SPECIFICATION	
MODULE	4
PRESSURE ANGLE	20°
NO.OF TEETH	58T
D.O.G.N OF TEETH	7T)80.004 ^{-0.09} _{-0.37}
P.C.D	φ 232

	DRIVING WHEEL	S45CN	2		Φ 250*28L
DATE : 2014. 02	SCALE : N/S	DRAWING No. :		JD-200-D1	
DRAWN BY J. H. GWAK		DESIGNED BY J,H,GWAK		CHECKED BY	APPROVED BY D,J,SIN
PROJECT TITLE TRAVELLING DRIVING PLAET DRAWING			DRAWING TITLE φ200		



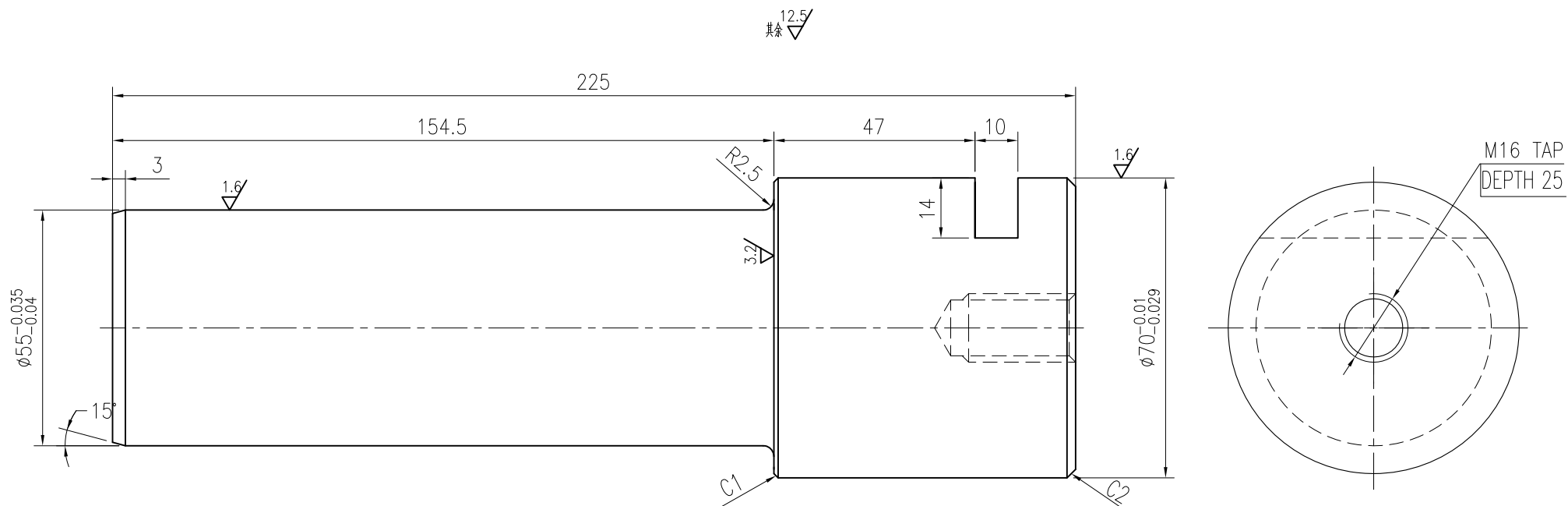
JINDO HOIST CRANE.CO.LTD



	COLLAR	FCD40	4	
DATE : 2014. 02	SCALE : N/S	DRAWING No. : JD-200-C		
DRAWN BY J. H. GWAK	DESIGNED BY J,H,GWAK	CHECKED BY	APPROVED BY D,J,SIN	
PROJECT TITLE TRAVELLING COLLAR DRAWING		DRAWING TITLE $\phi 200$		



JINDO HOIST CRANE.CO.LTD

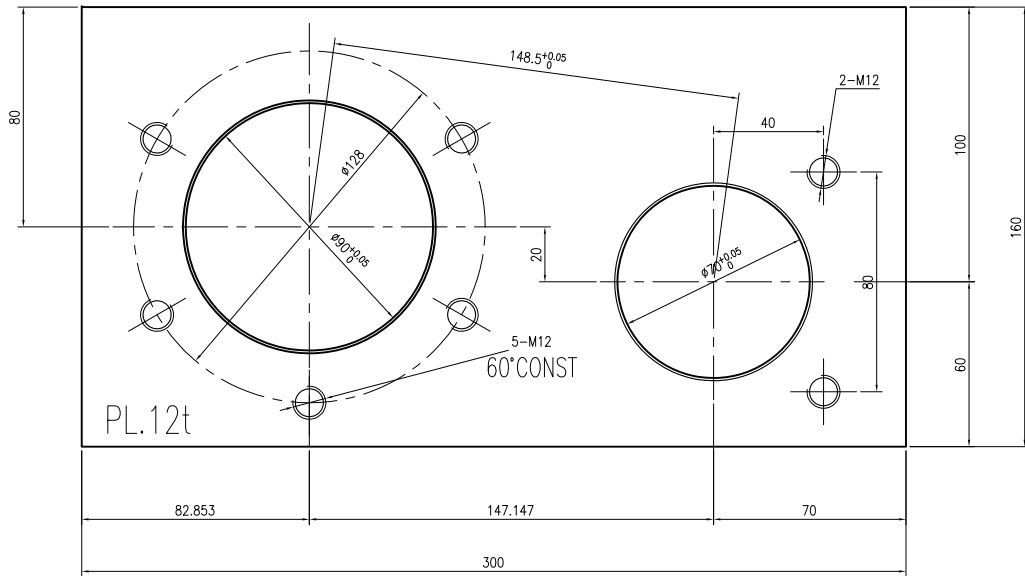


NO	DESCRIPTION	MATERIAL	Q'TY	SIZE	REMARKS
	SHAFT	S45CN	4		Φ 75*30L
DATE : 2014. 02		SCALE : N/S		DRAWING No. : JD-200-S	
DRAWN BY J. H. GWAK		DESIGNED BY J,H,GWAK		CHECKED BY APPROVED BY D,J,SIN	
PROJECT TITLE TRAVELLING SHAFT DRAWING			DRAWING TITLE ø200		

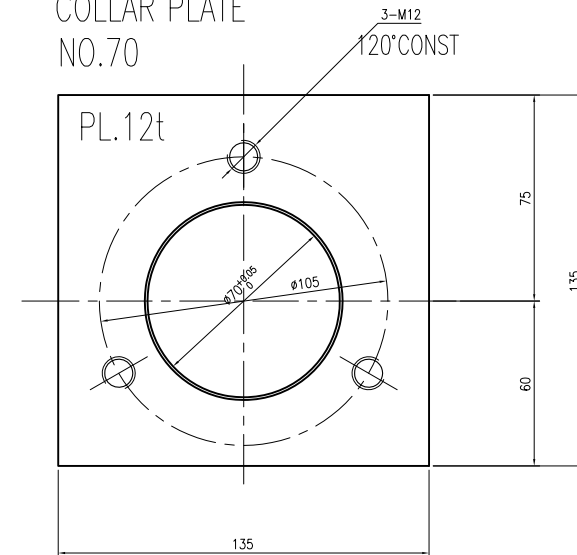


JINDO HOIST CRANE.CO.LTD

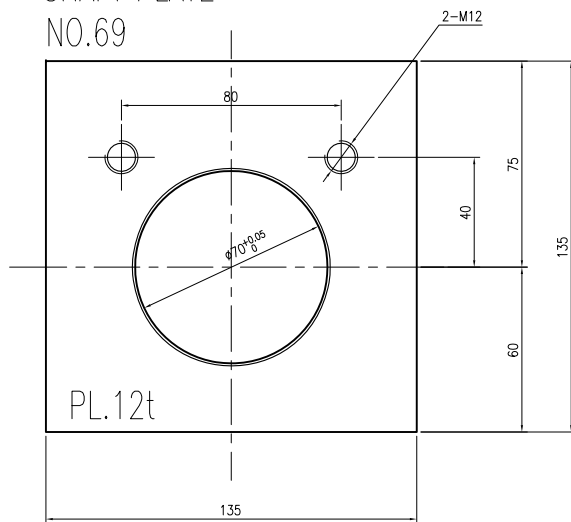
φ 200 MOTOR PLATE
NO.68



COLLAR PLATE
NO.70



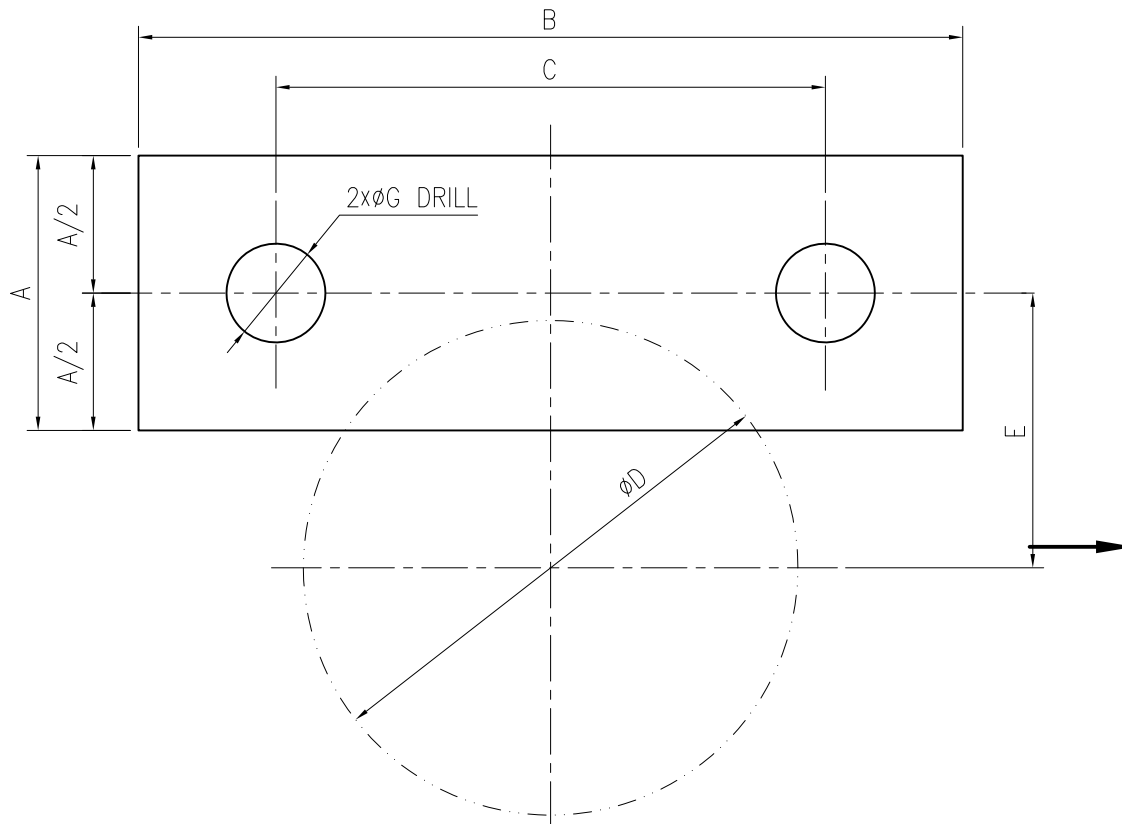
SHAFT PLATE
NO.69



70	PL 12*135*135	SS41	4	3.4	
69	PL 12*135*135	SS41	2	2.7	
68	PL 12*160*300	SS41	2	7.12	
PLATE ACC'Y					
NO	DESCRIPTION	MATERIAL	Q'TY	SIZE	REMARKS
DATE : 2014. 02		SCALE : N/S		DRAWING No. : JD-200-P	
DRAWN BY J. H. GWAK		DESIGNED BY J,H,GWAK		CHECKED BY APPROVED BY D,J,SIN	
PROJECT TITLE TRAVELLING PLAET DRAWING			DRAWING TITLE φ200		



JINDO HOIST CRANE.CO.LTD



WHEEL NOTATION	A	B	C	D	E	F	G	WEIGHT KG/EA
φ 160	38	120	80	60	35	8	14	0.3
φ 200	38	120	80	70	40	8	14	0.3
φ 250	38	120	80	75	42.5	8	14	0.3
φ 315	50	150	100	80	45	8	14	0.5
φ 315S	38	120	80	60	35	8	18	0.3
φ 400	50	150	100	90	50	8	18	0.5
φ 400S	50	150	100	80	45	8	22	0.5
φ 500	50	170	120	105	57.5	10	18	0.7
φ 500S	50	150	100	90	50	8	22	0.5
φ 630	50	170	120	120	65	10	18	0.7
φ 630S	50	170	120	100	55	10	22	0.7
φ 710	55	210	150	130	67.5	12	18	1
φ 710S	50	170	120	110	60	10	22	0.7
φ 800	55	210	150	135	72.5	12	24	1
φ 800S	55	210	150	125	67.5	12	24	1

	KEY PLATE	SS41	4		
NO	DESCRIPTION	MATERIAL	Q'TY	SIZE	REMARKS
DATE : 2014. 02		SCALE : N/S		DRAWING No. : JD-200-K	
DRAWN BY J. H. GWAK		DESIGNED BY J,H,GWAK		CHECKED BY	APPROVED BY D,J,SIN
PROJECT TITLE TRAVELLING KEY PLATE DRAWING				DRAWING TITLE φ200	



JINDO HOIST CRANE.CO.LTD