

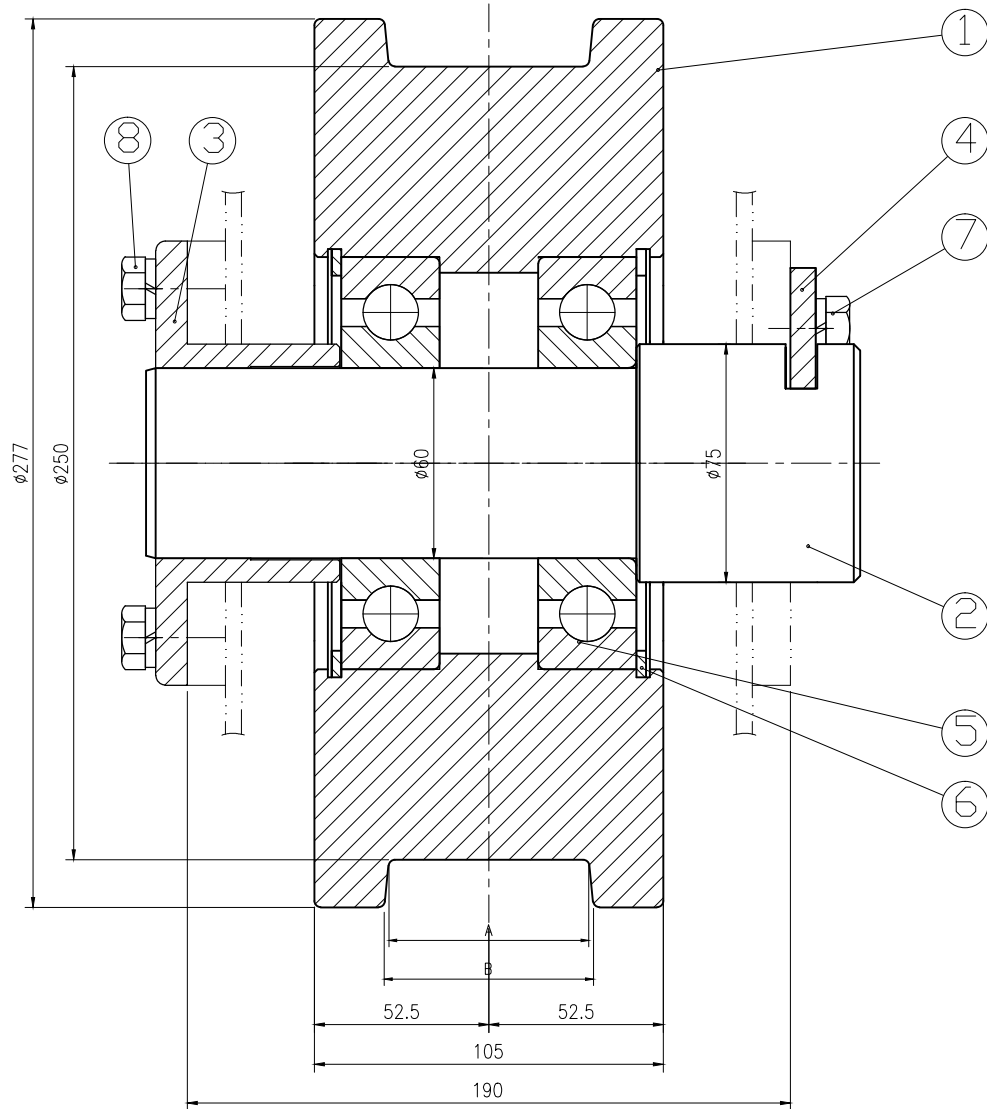
RAIL SIZE	NOTATION	
	A	B
15,22 KG/M	63	66
30,37 KG/M	72	75

8	BOLT, SW	4T	6		M12x25 ^L x15 ^S
7	BOLT, SW	4T	4		M16x30 ^L x20 ^S
6	SNAP RING	PUR-CHASE	4		R 130
5	BEARING	PUR-CHASE	4		#6312ZZ
4	KEY PLATE	SS41	2		JD-250-K
3	COLLAR	FCD40	2		JD-250-C
2	SHAFT	S45CN	2		JD-250-S
1	DRIVING WHEEL	S45CN	2		JD-250-D
	ASS'Y OF DRIVING WHEEL	-	2		

DATE : 2019. 02	SCALE : N/S	DRAWING No. : JD-250-D	
DRAWN BY J. H. GWAK	DESIGNED BY J,H,GWAK	CHECKED BY	APPROVED BY D,J,SIN
PROJECT TITLE TRAVELLING DRIVING DRAWING		DRAWING TITLE ø250	



JINDO HOIST CRANE.CO.LTD



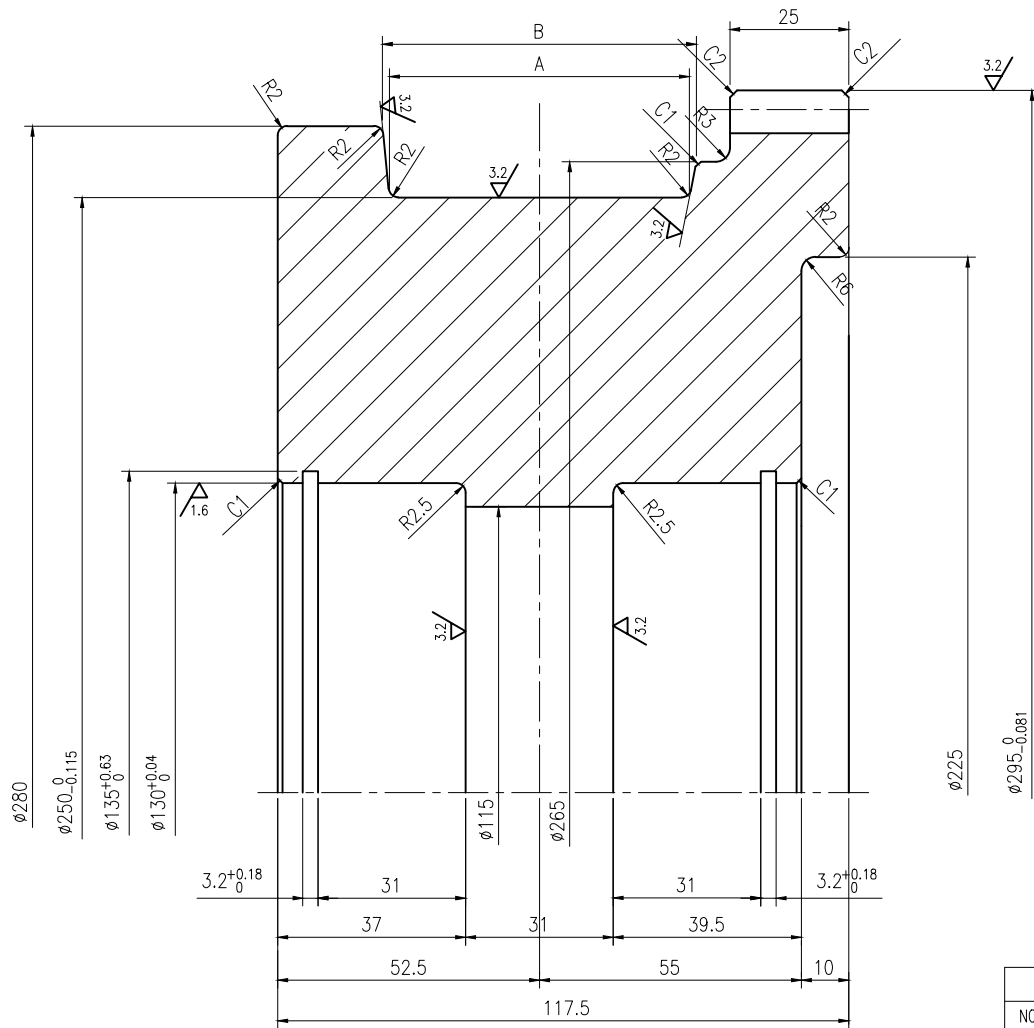
RAIL SIZE	NOTATION	
	A	B
15,22 KG/M	63	66
30,37 KG/M	72	75

8	BOLT, SW	4T	8		M12x25 ^L x15 ^S
7	BOLT, SW	4T	4		M16x30 ^L x20 ^S
6	SNAP RING	PUR-CHASE	4		R130
5	BEARING	PUR-CHASE	4		#6312ZZ
4	KEY PLATE	SS41	2		JD-S250-K
3	COLLAR	FCD40	2		JD-S250-C
2	SHAFT	S45CN	2		JD-S250-S
1	FOLLOWING WHEEL	S45CN	2		JD-S250-FW
	ASS'Y OF FOLLOWING WHEEL	-	2		

DATE : 2019. 02	SCALE : N/S	DRAWING No. : JD-250-F	
DRAWN BY J. H. GWAK	DESIGNED BY J,H,GWAK	CHECKED BY	APPROVED BY D,J,SIN
PROJECT TITLE TRAVELLING FOLLOWING DRAWING		DRAWING TITLE ø250	



JINDO HOIST CRANE.CO.LTD



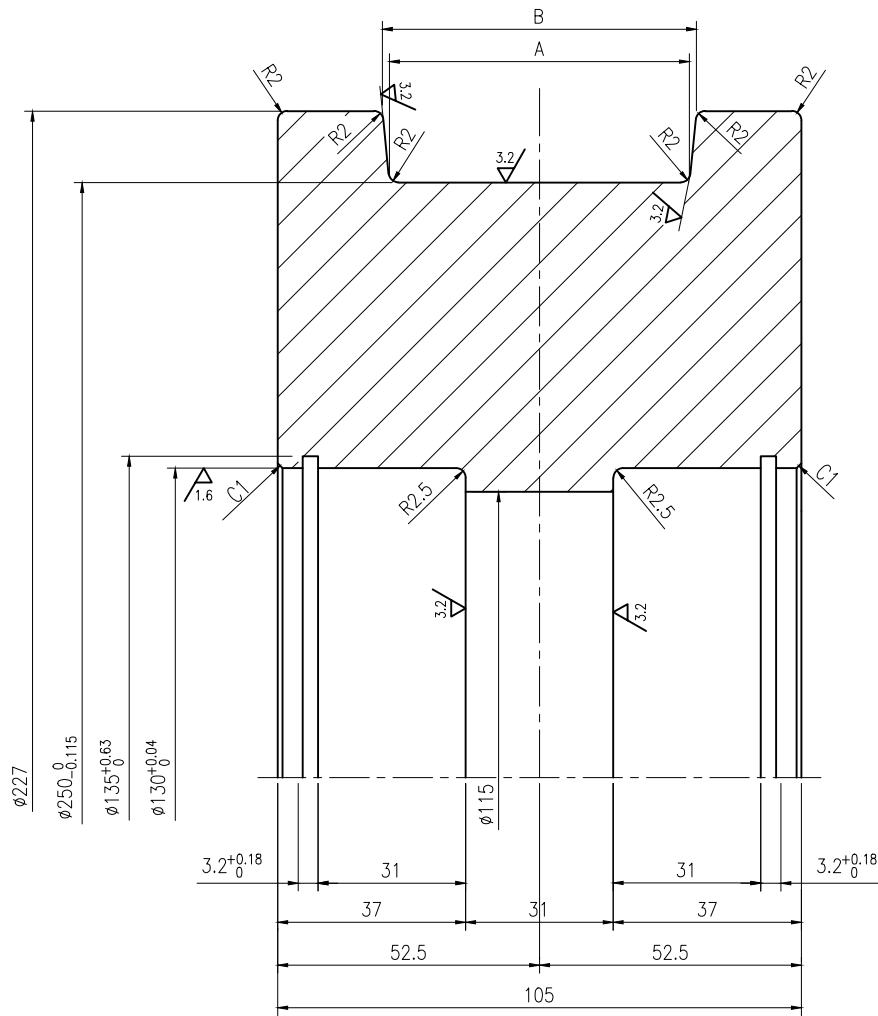
RAIL SIZE	NOTATION	A	B
15,22 KG/M		63	66
30,37 KG/M		72	75

SPECIFICATION	
MODULE	5
PRESSURE ANGLE	20°
NO.OF TEETH	57T
D.O.G.N OF TEETH	7T)99.936 $\begin{matrix} -0.10 \\ -0.40 \end{matrix}$
P.C.D	$\phi 285$

	DRIVING WHEEL	S45CN	2	$\Phi 305*32L$
NO	DESCRIPTION	MATERIAL	Q'TY	SIZE
DATE : 2019. 02	SCALE : N/S		DRAWING No. :	JD-250-D1
DRAWN BY J. H. GWAK	DESIGNED BY J,H,GWAK		CHECKED BY	APPROVED BY D,J,SIN
PROJECT TITLE TRAVELLING DRIVING DRAWING			DRAWING TITLE $\phi 250$	



JINDO HOIST CRANE.CO.LTD

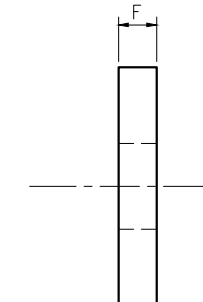
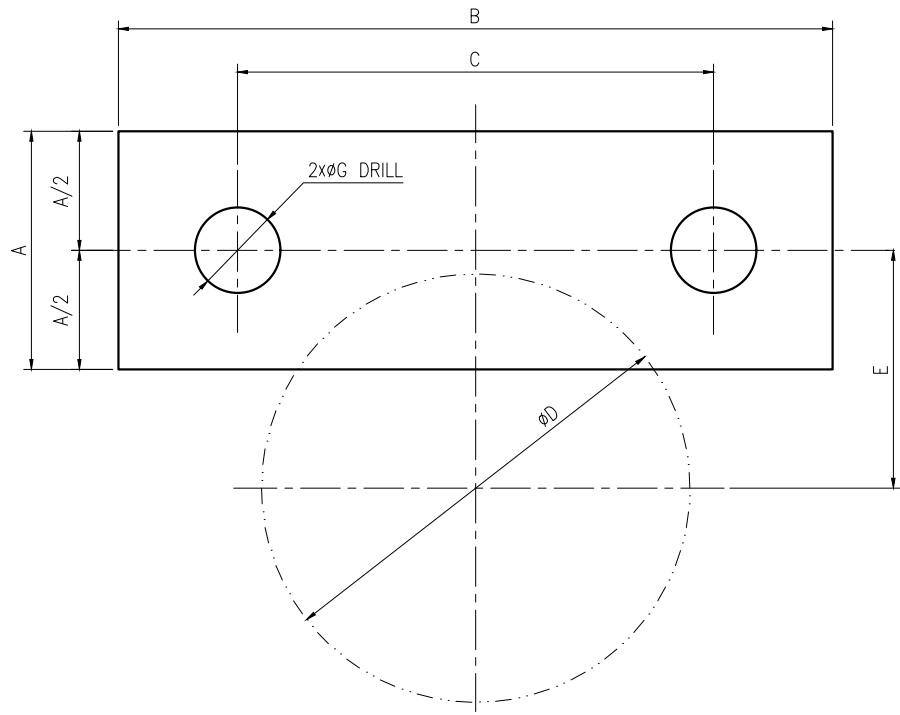


RAIL SIZE	NOTATION	A	B
15,22 KG/M		63	66
30,37 KG/M		72	75

NO	DESCRIPTION	MATERIAL	Q'TY	SIZE	REMARKS
	FOLLOWING WHEEL	S45CN	2		$\Phi 290*20L$
DATE : 2019. 02	SCALE : N/S		DRAWING No. :	JD-250-F1	
DRAWN BY J. H. GWAK	DESIGNED BY J,H,GWAK		CHECKED BY	APPROVED BY D,J,SIN	
PROJECT TITLE TRAVELLING DRIVING PLAT DRAWING			DRAWING TITLE $\phi 250$		

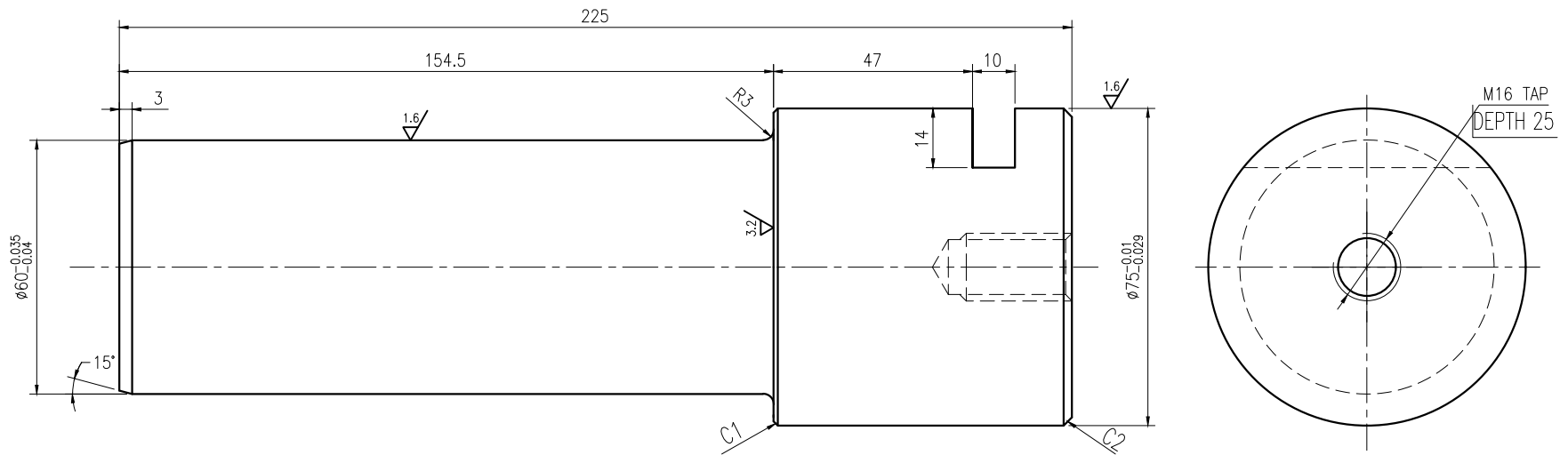


JINDO HOIST CRANE.CO.LTD



WHEEL NOTATION	A	B	C	D	F	F	G	WEIGHT KG/EA
φ 160	38	120	80	60	35	8	14	0.3
φ 200	38	120	80	70	40	8	14	0.3
φ 250	38	120	80	75	42.5	8	14	0.3
φ 315	50	150	100	80	45	8	14	0.5
φ 315S	38	120	80	60	35	8	18	0.3
φ 400	50	150	100	90	50	8	18	0.5
φ 400S	50	150	100	80	45	8	22	0.5
φ 500	50	170	120	105	57.5	10	18	0.7
φ 500S	50	150	100	90	50	8	22	0.5
φ 630	50	170	120	120	65	10	18	0.7
φ 630S	50	170	120	100	55	10	22	0.7
φ 710	55	210	150	130	67.5	12	18	1
φ 710S	50	170	120	110	60	10	22	0.7
φ 800	55	210	150	135	72.5	12	24	1
φ 800S	55	210	150	125	67.5	12	24	1

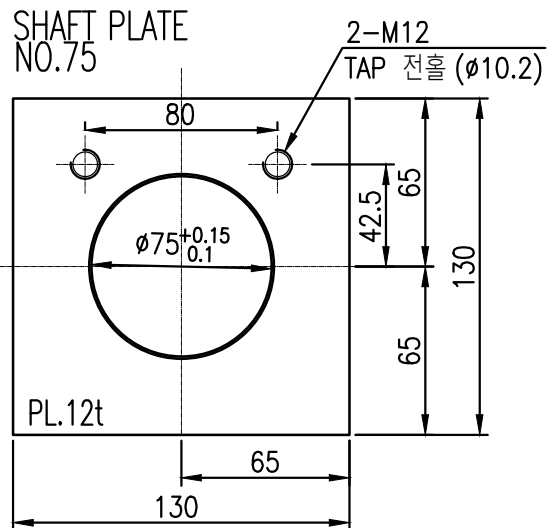
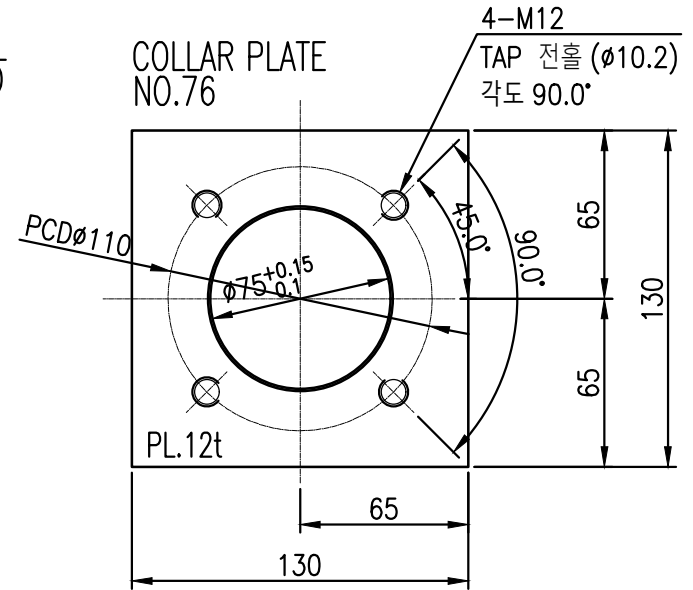
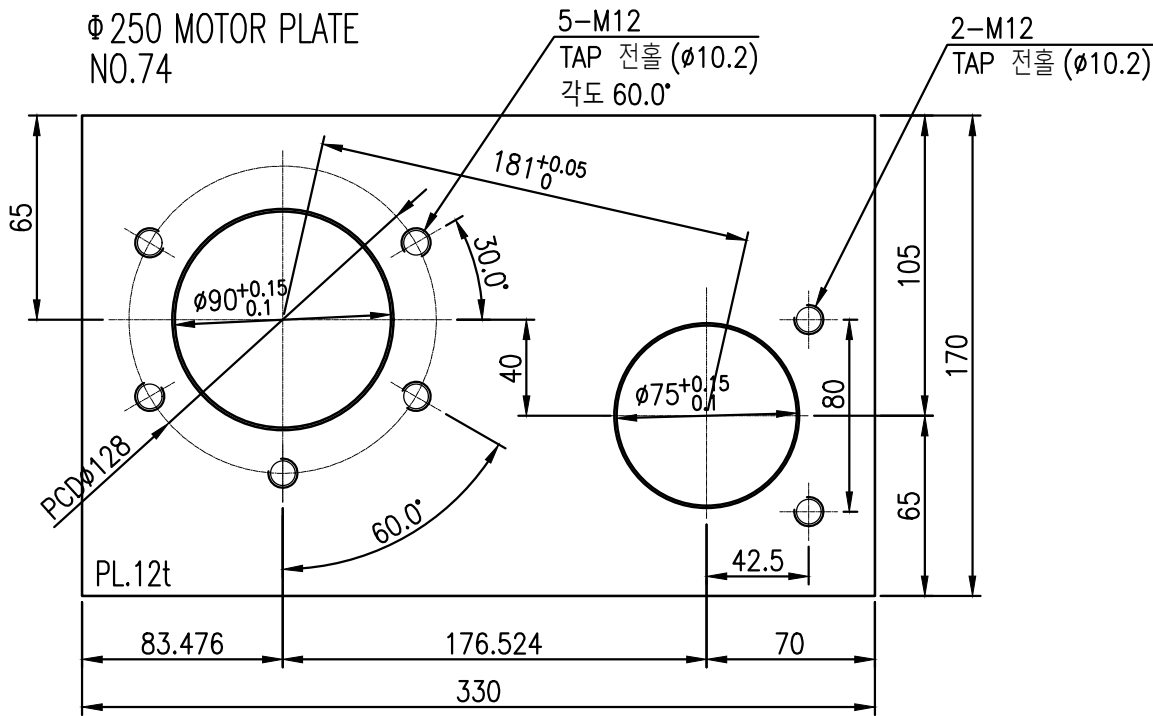
NO	DESCRIPTION	MATERIAL	Q'TY	SIZE	REMARKS
DATE : 2014. 02		SCALE : N/S		DRAWING No. : JD-250-K	
DRAWN BY J. H. GWAK		DESIGNED BY J,H,GWAK		CHECKED BY	APPROVED BY D,J,SIN
PROJECT TITLE TRAVELLING KEY PLAET DRAWING				DRAWING TITLE φ250	



NO	DESCRIPTION	MATERIAL	Q'TY	SIZE	REMARKS
	SHAFT	S45CN	4		$\Phi 80 \times 35L$
DATE : 2014. 02	SCALE : N/S	DRAWING No. :		JD-250-S	
DRAWN BY J. H. GWAK	DESIGNED BY J,H,GWAK	CHECKED BY	APPROVED BY D,J,SIN		
PROJECT TITLE TRAVELLING SHAFT DRAWING			DRAWING TITLE $\phi 250$		



JINDO HOIST CRANE.CO.LTD

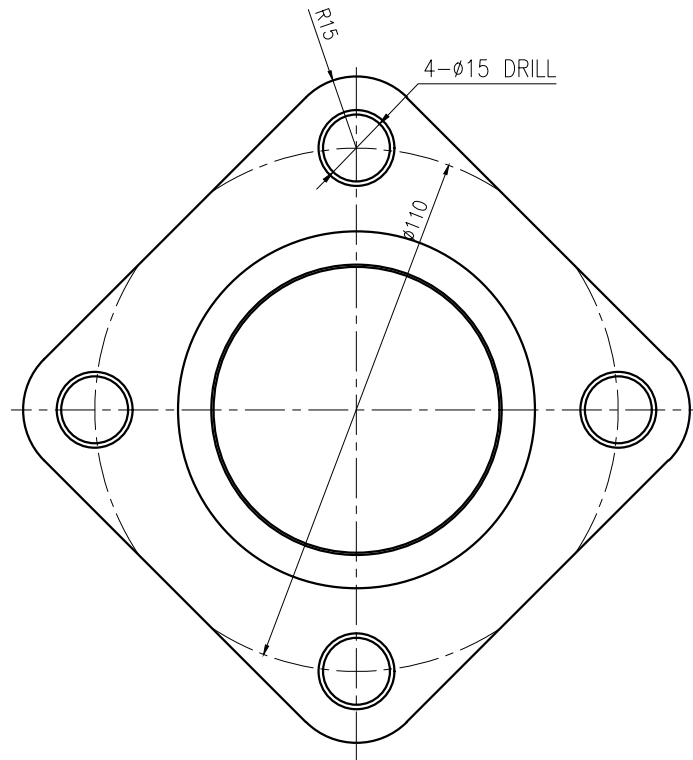
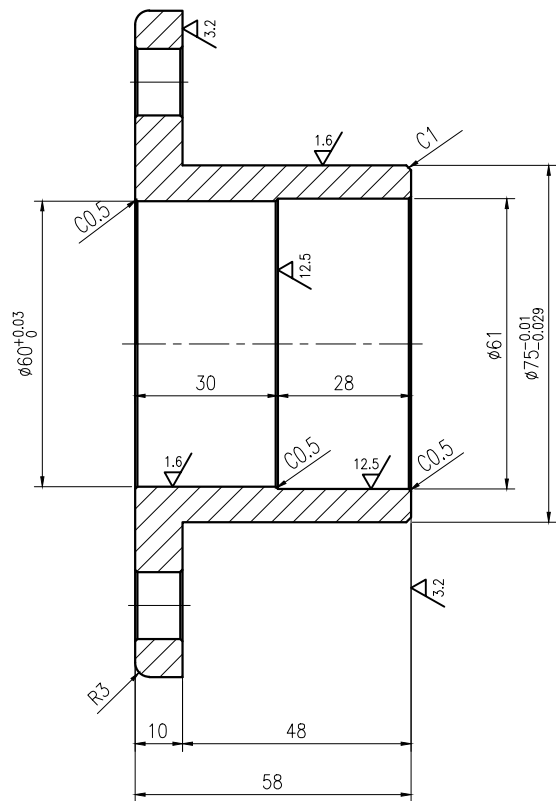


70	PL 12t*130*130	SS41	4			5.72
69	PL 12t*130*130	SS41	2			2.86
68	PL 12t*170*330.27	SS41	2			10.4

NO	DESCRIPTION	MATERIAL	SET QTY	SET	UNIT	TOTAL WEIGHTY KG	REMARKS
DATE : 2018. 03		SCALE : N/S		DRAWING No. : JD-160-P			
DRAWN BY J. H. GWAK		DESIGNED BY J,H,GWAK		CHECKED BY		APPROVED BY D,J,SIN	
PROJECT TITLE TRAVELLING PLAET DRAWING				DRAWING TITLE Ø160			



JINDO HOIST CRANE.CO.LTD



NO	DESCRIPTION	MATERIAL	Q'TY	SIZE	REMARKS
	COLLAR	FCD40	4		
DATE : 2014. 02	SCALE : N/S	DRAWING No. :		JD-250-C	
DRAWN BY J. H. GWAK	DESIGNED BY J,H,GWAK	CHECKED BY	APPROVED BY D,J,SIN		
PROJECT TITLE TRAVELLING COLLAR DRAWING			DRAWING TITLE $\phi 250$		



JINDO HOIST CRANE.CO.LTD