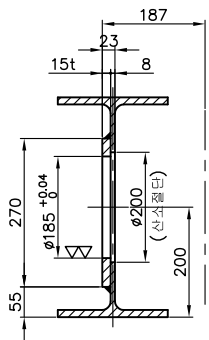


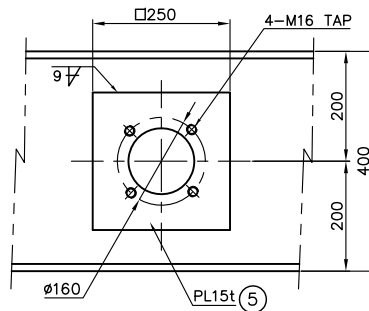
A	B	C	D	H-BEAM SIZE
3500	4500		536	H400x200x8/13t
4000	5000			
4500	5500		535	H450x200x9/14t
4000	5000			
4500	5500			
5000	6000		534	H500x200x10/16t
5500	6500			
4000	5000			
4500	5500			
5000	6000			
5500	6500			
6000	7000			

\* 제작수량은 2 조중 1 조는 대칭제작 할 것  
 \* 표시되지 않는 용접부는 6mm 연속 용접할 것

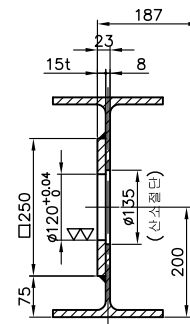
NO	DESCRIPTION	M'T'L	SUB QTY	TOTAL QTY	SUB WEIGHT(KG)	TOTAL WEIGHT(KG)	REMARKS
8	PL12t-136x40	SS400	4				
7	PL15t-250x250	SS400	2				
6	PL15t-672x270	SS400	2				
5	PL15t-250x250	SS400	4				
4	PL12t-136x100	SS400	4				
3	PL12t-400x536	SS400	4				
2	PL12t-328x372	SS400	6				
1	H-400x200x8/13t	SS400	4				



SECTION A-A'



VIEW B-B'



PROJECT				DATE
TITLE	BD-ø630			2017. 02. .
DETAIL OF SADDLE				SCALE
				1 / 1
DRAWING	DESIGN	CHECKED	APPROVED	SHEET NO
DRAWING NO			BD-630-01-1	
JIN DO MACHINERY CO.				