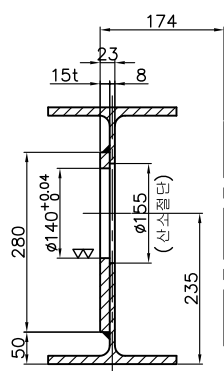


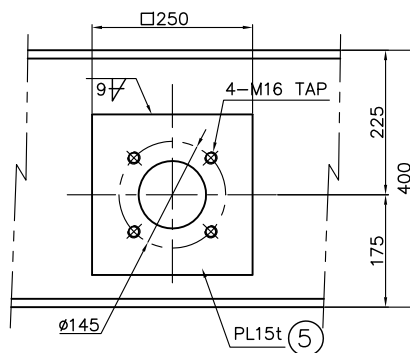
A	B	C	E	H-BEAM SIZE
3500	4500		510	H400x200x8/13t
4000	5000			
4500	5500			
4500	5500		509	H450x200x9/14t
5000	6000			
5500	6500			
6000	7000			

NOTE

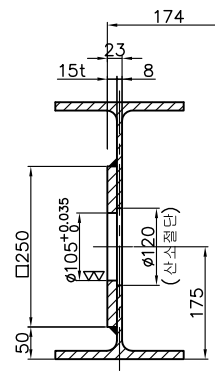
- \* 제작수량 2 조중 1 조는 대칭제작할 것
- \* 지시되지 않는 용접부는 6MM 연속 용접할 것



SECTION A-A'



VIEW B-B'



NO	DESCRIPTION	MT'L	SUB Q'TY	TOTAL Q'TY	SUB TOTAL WEIG(KG)	TOTAL WEIG(KG)	REMARKS
7	PL15t-250x250			2			
6	PL15t-600x280			2			
5	PL15t-250x250			4			
4	PL12t-110x100			4			
3	PL12t-400x510			4			
2	PL12t-300x372			6			
1	H-400x200x8/13t	SS400		4			

PROJECT				DATE
TITLE	BD-#500			2017. 02.
	DETAIL OF SADDLE			SCALE
				1 / 1
DRAWING	DESIGN	CHECKED	APPROVED	SHEET NO
				DRAWING NO
				BD-500-01-1