

I-BEAM	NOTATION			
	A	B	C	D
I 250x125x7.5t	125	201	21.5	133
I 300x150x10t	150	226	34	158
I 400x150x10t	150	226	34	158
I 450x175x13t	175	251	46.5	183
I 600x190x13t	190	266	54	198

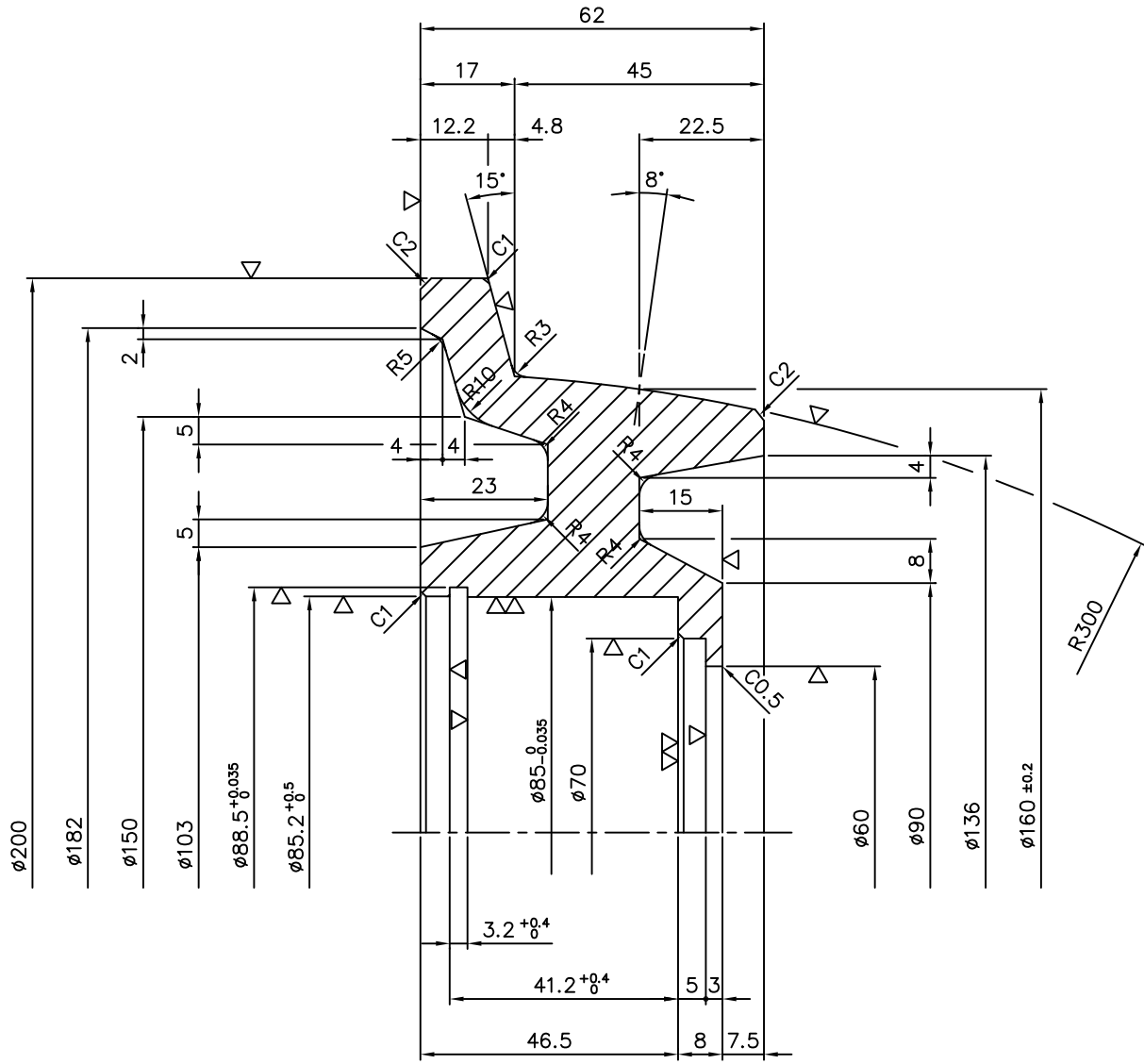
NO.	DESCRIPTIONS	MAT'L	Q'TY	WEIGHT KG.		REMARKS.
				UNIT	TOTAL	
	ASS'Y OF FOLLOWING WHEEL	-	2			
1	FOLLOWING WHEEL	S45CN	4			PA300475
2	WHEEL SHAFT	S45CN	4			PA300476
3	KEY PLATE	SS41	4			PA300473
4	BEARING	PUR-CHASE	8			#6209ZZ
5	SNAP RING	PUR-CHASE	4			R85
6	SNAP RING	PUR-CHASE	4			S45
7	BOLT,SW	4T	8			M12x20 ^t x20 ^s

DATE : 2014. 02	SCALE : N/S	DRAWING No. : JD-SUS160-F	
DRAWN BY <i>J. H. SWAK</i>	DESIGNED BY <i>J. H. SWAK</i>	CHECKED BY	APPROVED BY <i>D. J. SEN</i>
PROJECT TITLE TRAVELLING FOLLOWING DRAWING		DRAWING TITLE ø160	



JINDO HOIST CRANE.CO.LTD

~ (, ∇)

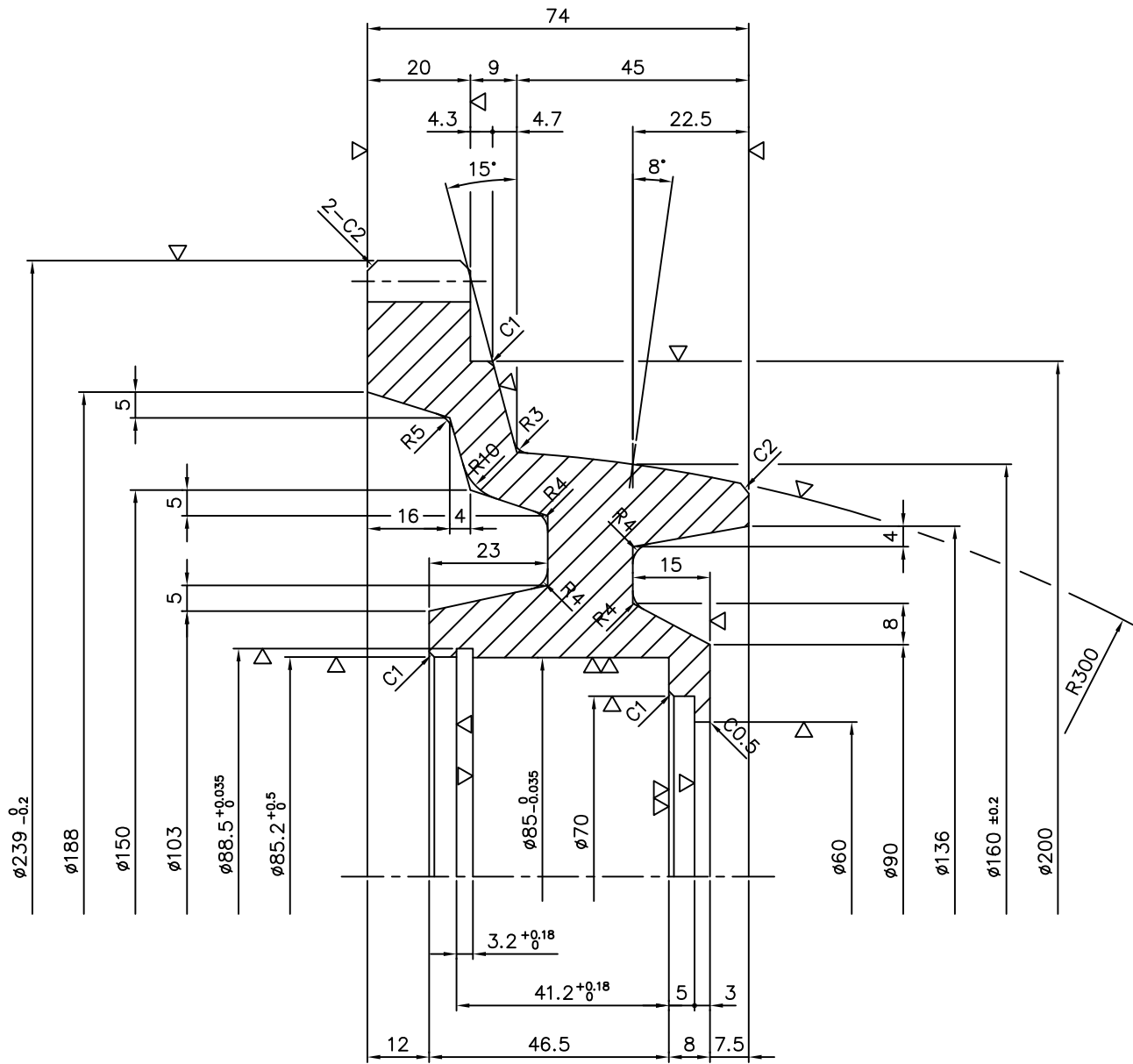


NO.	DESCRIPTIONS	MAT'L	Q'TY	WEIGHT KG.		REMARKS.
				UNIT	TOTAL	
1	FOLLOWING WHEEL	S45CN	4	17.4	69.6	∅205x67L
DATE : 2014. 02		SCALE : N/S		DRAWING No. : JD-SUS160-F1		
DRAWN BY <i>J. H. SWAK</i>		DESIGNED BY <i>J. H. SWAK</i>		CHECKED BY		APPROVED BY <i>D. J. JIN</i>
PROJECT TITLE TRAVELLING FOLLOWING DRAWING				DRAWING TITLE ∅160		



JINDO HOIST CRANE.CO.LTD

~ (, ∇)



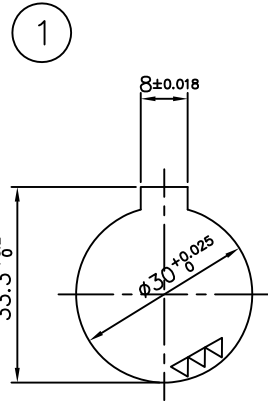
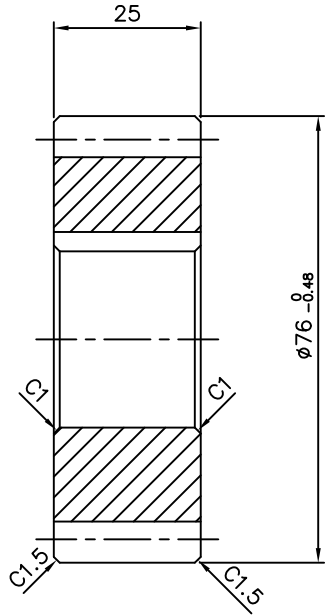
GEAR SPECIFICATION	
MODULE	4
PRESSURE ANGLE	20°
NO OF TEETH	56 T
D.O.G.N OF TEETH	(8T) 94.125 ^{+0.090}
A.M.P.C.D	∅231
A.M.C	+0.886
HARDNESS	

NO.	DESCRIPTIONS	MAT'L	Q'TY	WEIGHT KG.		REMARKS.
				UNIT	TOTAL	
1	DRIVING WHEEL	S45CN	4	29.6	118.4	∅245x80L
DATE : 2014. 02		SCALE : N/S		DRAWING No. : JD-SUS160-D1		
DRAWN BY J. H. SWAK		DESIGNED BY J. H. SWAK		CHECKED BY		APPROVED BY D. J. SEN
PROJECT TITLE TRAVELLING DRIVING DRAWING				DRAWING TITLE ∅160		

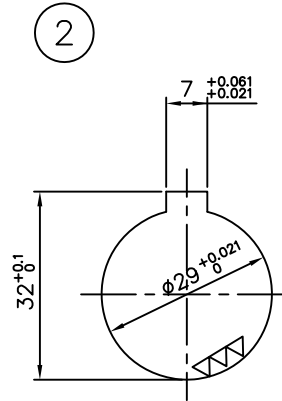


JINDO HOIST CRANE.CO.LTD

▽▽ (▽▽▽▽)



IDLE GEAR ☺



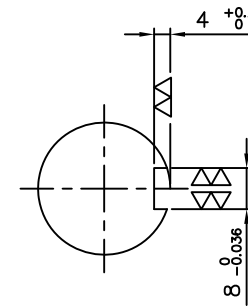
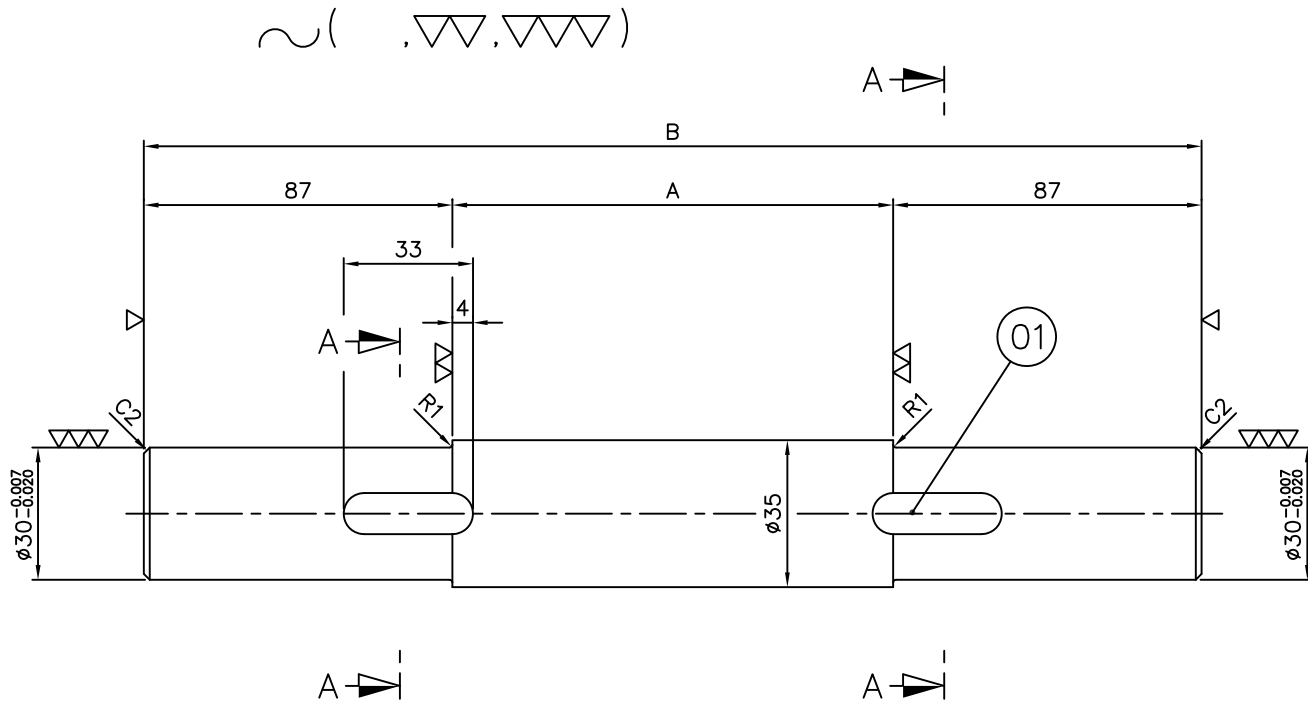
PINION ☺

GEAR SPECIFICATION	
MODULE	4
PRESSURE ANGLE	20°
NO OF TEETH	17 T
D.O.G.N OF TEETH	(2T) 18.66 ± 0.070
P.C.D	ø68
HARDNESS	HS 55±5

NO.	DESCRIPTIONS	MAT'L	Q'TY	WEIGHT KG.		REMARKS.
				UNIT	TOTAL	
1	IDLE GEAR	S45C	4	1.2	4.8	ø80x30L
2	PINION	S45C	2	1.2	2.4	ø80x30L
DATE : 2014. 02		SCALE : N/S		DRAWING No. : JD-SUS160-PI		
DRAWN BY <i>J. H. SWAK</i>		DESIGNED BY <i>J. H. SWAK</i>		CHECKED BY		APPROVED BY <i>D. J. SEN</i>
PROJECT TITLE TRAVELLING PINION DRAWING				DRAWING TITLE ø160		



JINDO HOIST CRANE.CO.LTD



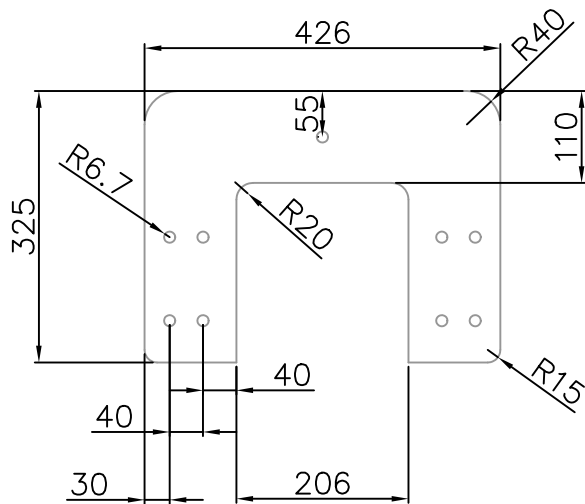
SECTION A-A

I-BEAM	NOTATION	A	B	WEIGHT KG/EA
I 250x125x7.5t		146	320	2.5
I 300x150x10t		171	345	2.6
I 450x175x13t		196	370	2.8
I 600x190x13t		211	385	2.9

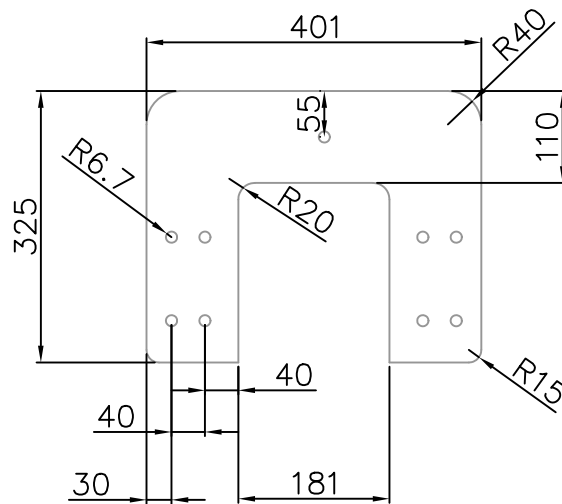
NO.	DESCRIPTIONS	MAT'L	Q'TY	WEIGHT KG.		REMARKS.
				UNIT	TOTAL	
1	IDLE GEAR SHAFT	S45C	2			$\phi 35 \times (B+5)L$
01	KEY	PUR-CHASE	4	0.01	0.04	8x7x25L
DATE : 2014. 02		SCALE : N/S		DRAWING No. : JD-SUS160-IDS		
DRAWN BY <i>J. H. SWAK</i>		DESIGNED BY <i>J. H. SWAK</i>		CHECKED BY		APPROVED BY <i>D. J. JIN</i>
PROJECT TITLE TRAVELLING IDLE GEAR SHAFT DRAWING				DRAWING TITLE $\phi 160$		



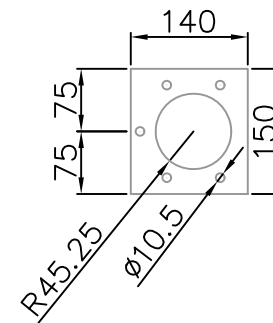
JINDO HOIST CRANE.CO.LTD



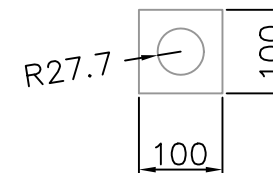
U/PL12T
I/B 300 x 150용 2EA



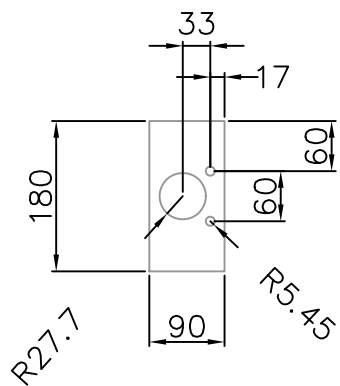
U/PL12T
I/B 250 x 125용 2EA



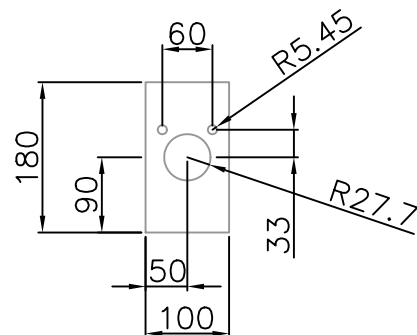
M/P15T
140x150 2EA



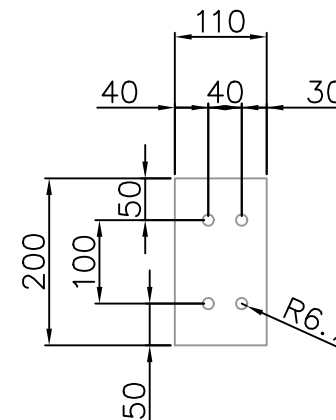
S/PL12T
100x100 8EA



S/P9T
90x180 2EA



S/P9T
180x100 6EA



U/PL12T 보강판
200x110 8EA

PLATE	S45CN	JD-160-S	
DATE : 2024. 09	SCALE : N/S	DRAWING No. : JD-160-S	
DRAWN BY S,Y	DESIGNED BY J,H,GWAK	CHECKED BY	APPROVED BY D,J,SIN
PROJECT TITLE PLATE DRAWING		DRAWING TITLE Ø160	



JINDO HOIST CRANE.CO.LTD