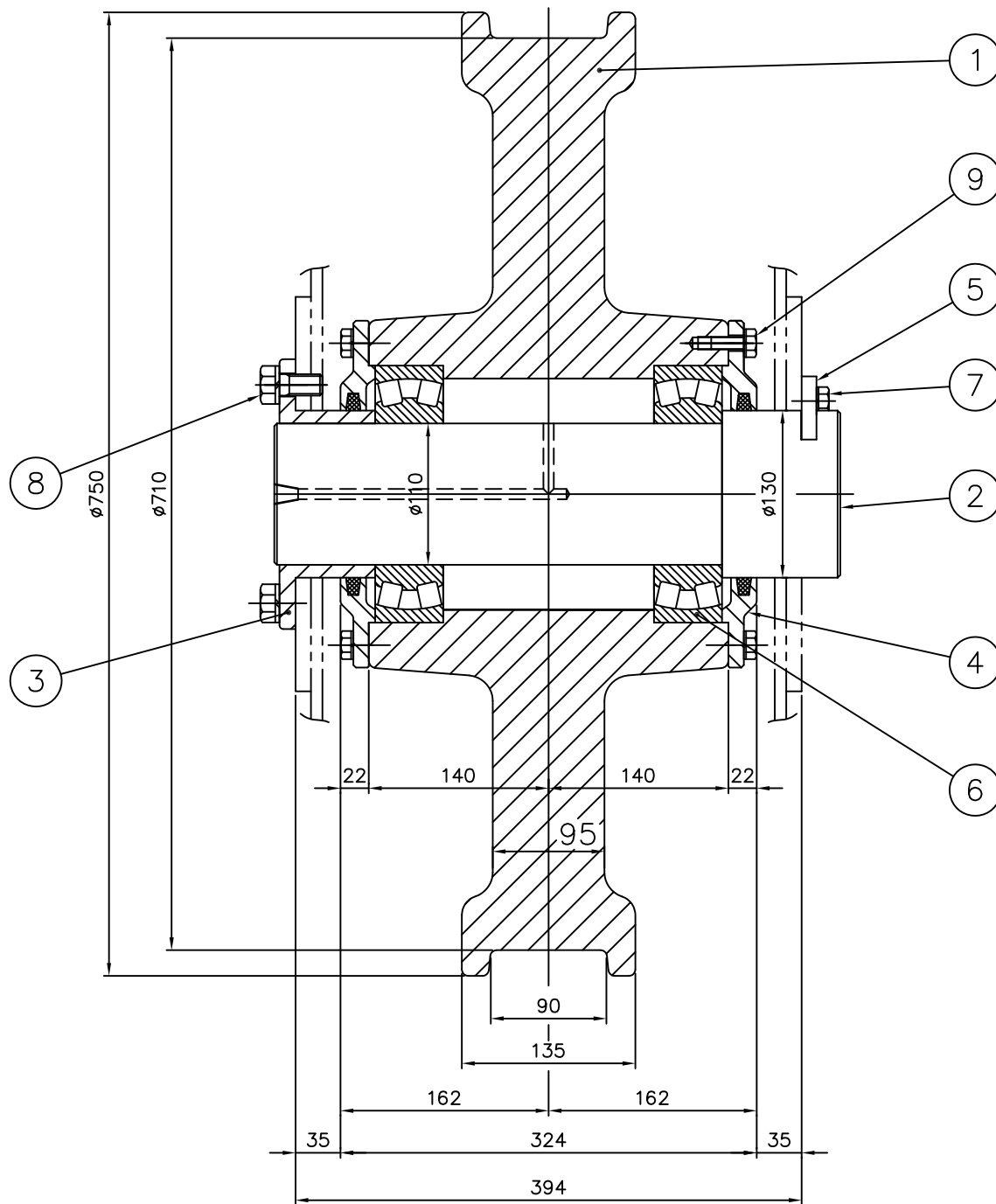


|    |                        |           |    |  |                                      |
|----|------------------------|-----------|----|--|--------------------------------------|
| 13 | BOLT ,SW               | 4T        | 24 |  | M12x40 <sup>L</sup> x30 <sup>S</sup> |
| 12 | BOLT ,SW               | 4T        | 8  |  | M16x35 <sup>L</sup> x25 <sup>S</sup> |
| 11 | BOLT ,SW               | 4T        | 4  |  | M22x35 <sup>L</sup> x25 <sup>S</sup> |
| 10 | W/S                    |           | 6  |  |                                      |
| 9  | HIGHTENSION BOLT A     |           | 6  |  |                                      |
| 8  | BEARING                | PUR-CHASE | 4  |  | #22222                               |
| 7  | KEY PLATE              | SS41      | 2  |  | JD-φ710-K                            |
| 6  | BUSH                   | S45CN     | 6  |  | JD-φ710-BU                           |
| 5  | BEARING COVER          | SS41      | 4  |  | JD-φ710-BC                           |
| 4  | COLLAR                 | FCD40     | 2  |  | JD-φ710-C                            |
| 3  | SHAFT                  | S45CN     | 2  |  | JD-φ710-S                            |
| 2  | WHEEL GEAR             | SC49      | 2  |  | JD-φ710-GR                           |
| 1  | DRIVING WHEEL          | SSWQ1R    | 2  |  | JD-φ710-D                            |
|    | ASS'Y OF DRIVING WHEEL |           | 2  |  |                                      |

| NO  | DESCRIPTIONS | MT'L                    | SET | SET                         | UNIT   | TOTAL                  | REMARKS |
|---|--------------|-------------------------|-----|-----------------------------|--------|------------------------|---------|
|   |              |                         | QTY |                             | WEIGHT | KG                     |         |
| DATE : 2014. 02                             |              | SCALE : N/S             |     | DRAWING No. : JD-SSWQ-710-D |        |                        |         |
| DRAWN BY<br>J. H. GWAK                      |              | DESIGNED BY<br>J,H,GWAK |     | CHECKED BY                  |        | APPROVED BY<br>D,J,SIN |         |
| PROJECT TITLE<br>TRAVELLING DRIVING DRAWING |              |                         |     | DRAWING TITLE<br>φ710       |        |                        |         |



JINDO HOIST CRANE.CO.LTD



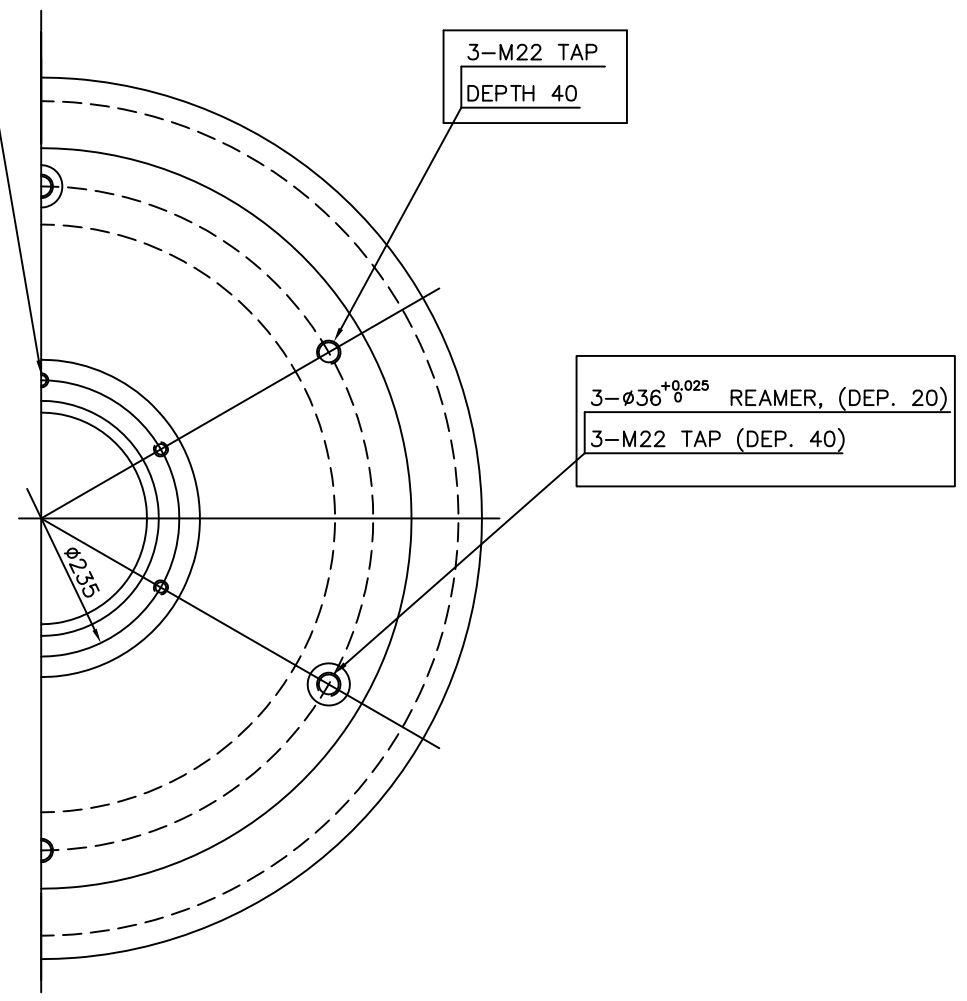
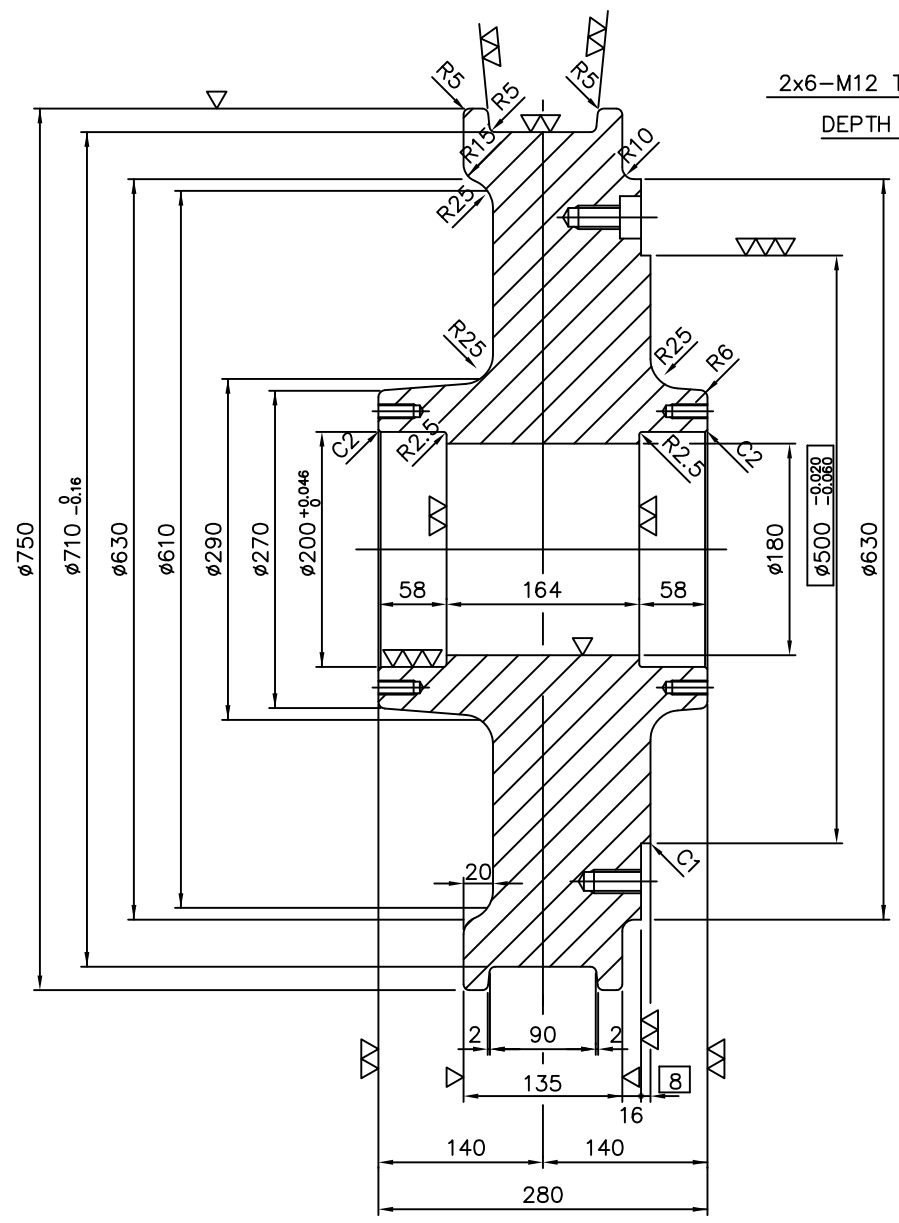
| DATE | M'K | REVISIONS | DWN | APPR | REMARKS |
|------|-----|-----------|-----|------|---------|
|      |     |           |     |      |         |
|      |     |           |     |      |         |

| 9   | BOLT ,SW                 | 4T                      | 24      |                             |                | M12x40 <sup>L</sup> x30 <sup>S</sup> |         |
|---|--------------------------|-------------------------|---------|-----------------------------|----------------|--------------------------------------|---------|
| 8   | BOLT ,SW                 | 4T                      | 8       |                             |                | M16x35 <sup>L</sup> x25 <sup>S</sup> |         |
| 7   | BOLT ,SW                 | 4T                      | 4       |                             |                | M22x35 <sup>L</sup> x25 <sup>S</sup> |         |
| 6   | BEARING                  | PUR-CHASE               | 4       |                             |                | #22222                               |         |
| 5   | KEY PLATE                | SS41                    | 2       |                             |                | JD- ø710-K                           |         |
| 4   | BEARING COVER            | SS41                    | 4       |                             |                | JD- ø710-BC                          |         |
| 3   | COLLAR                   | FCD40                   | 2       |                             |                | JD- ø710-C                           |         |
| 2   | SHAFT                    | S45CN                   | 2       |                             |                | JD- ø710-S                           |         |
| 1   | FOLLOWING WHEEL          | SSWQ1R                  | 2       |                             |                | JD- ø710-F                           |         |
|   | ASS'Y OF FOLLOWING WHEEL |                         | 2       |                             |                |                                      |         |
| NO  | DESCRIPTIONS             | MT'L                    | SET QTY | SET QTY                     | UNIT WEIGHT KG | TOTAL WEIGHT KG                      | REMARKS |
| DATE : 2014. 02                             |                          | SCALE : N/S             |         | DRAWING No. : JD-SSWQ-710-F |                |                                      |         |
| DRAWN BY<br>J. H. GWAK                      |                          | DESIGNED BY<br>J,H,GWAK |         | CHECKED BY                  |                | APPROVED BY<br>D,J,SIN               |         |
| PROJECT TITLE<br>TRAVELLING DRIVING DRAWING |                          |                         |         | DRAWING TITLE<br>ø710       |                |                                      |         |



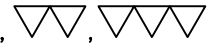
JINDO HOIST CRANE.CO.LTD

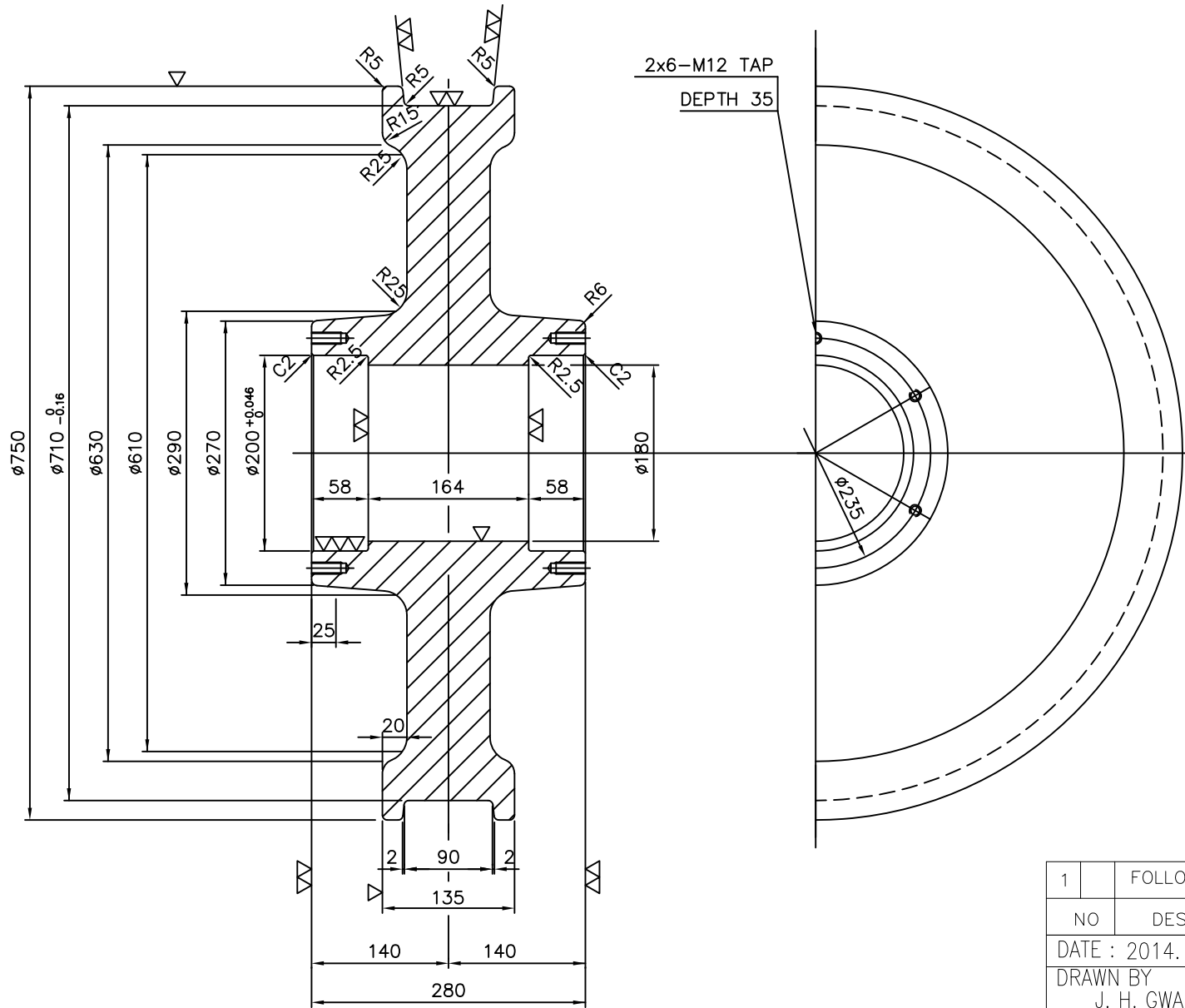
( , ▽, ▽, ▽, ▽ )



| 1   | DRIVING WHEEL | SSWQ1R                  |         | 2                            |      |                        |         |  |
|---|---------------|-------------------------|---------|------------------------------|------|------------------------|---------|--|
| NO  | DESCRIPTIONS  | MT'L                    | SET QTY | SET                          | UNIT | TOTAL WEIGHT KG        | REMARKS |  |
| DATE : 2014. 02                             |               | SCALE : N/S             |         | DRAWING No. : JD-SSWQ-710-D1 |      |                        |         |  |
| DRAWN BY<br>J. H. GWAK                      |               | DESIGNED BY<br>J,H,GWAK |         | CHECKED BY                   |      | APPROVED BY<br>D,J,SIN |         |  |
| PROJECT TITLE<br>TRAVELLING DRIVING DRAWING |               |                         |         | DRAWING TITLE<br>φ710        |      |                        |         |  |

| DATE | M'K | REVISIONS | DWN | APPR | REMARKS |
|------|-----|-----------|-----|------|---------|
|      |     |           |     |      |         |
|      |     |           |     |      |         |

( ,  )



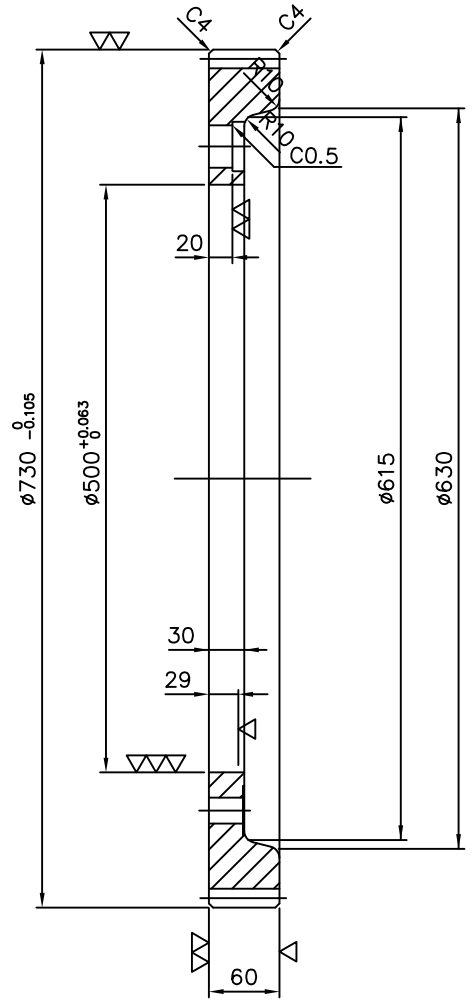
| NO  | DESCRIPTIONS    | MT'L                    | SET QTY | SET                          | UNIT | TOTAL WEIGHT KG        | REMARKS |
|---|-----------------|-------------------------|---------|------------------------------|------|------------------------|---------|
| 1   | FOLLOWING WHEEL | SSWQ1R                  |         | 2                            |      |                        |         |
| DATE : 2014. 02                               |                 | SCALE : N/S             |         | DRAWING No. : JD-SSWQ-710-F1 |      |                        |         |
| DRAWN BY<br>J. H. GWAK                        |                 | DESIGNED BY<br>J,H,GWAK |         | CHECKED BY                   |      | APPROVED BY<br>D,J,SIN |         |
| PROJECT TITLE<br>TRAVELLING FOLLOWING DRAWING |                 |                         |         | DRAWING TITLE<br>ø710        |      |                        |         |



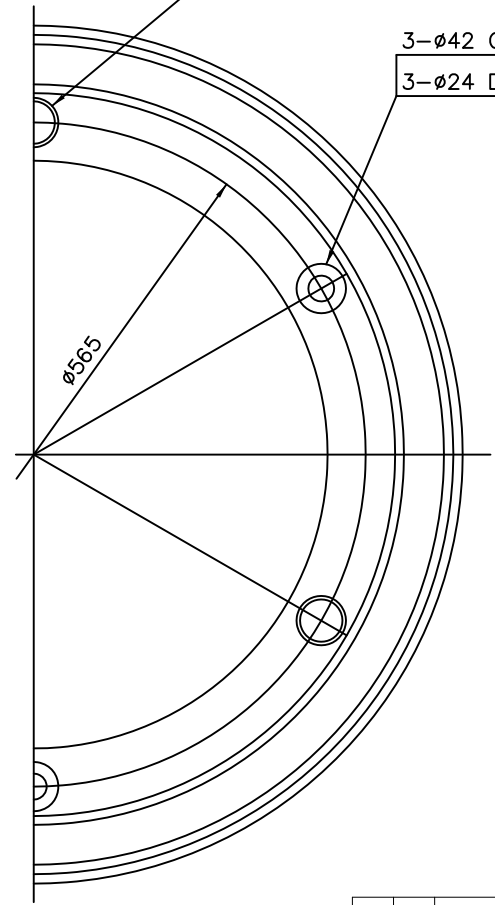
JINDO HOIST CRANE.CO.LTD

| DATE | M'K | REVISIONS | DWN | APPR | REMARKS |
|------|-----|-----------|-----|------|---------|
|      |     |           |     |      |         |
|      |     |           |     |      |         |

( ,  )



3- $\phi 42$  COUNTER BORING  
 3- $\phi 36$   $^{+0.025}_0$  REAMER

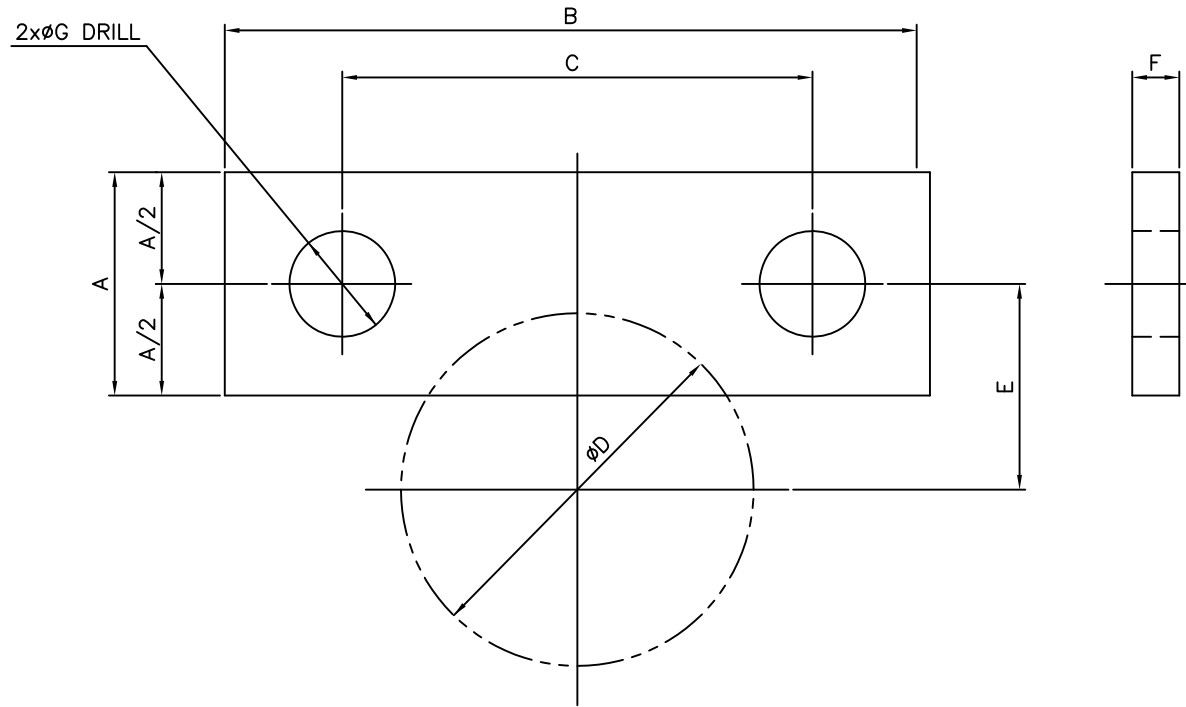


3- $\phi 42$  COUNTER BORING  
 3- $\phi 24$  DRILL

| GEAR SPECIFICATION |                                     |
|--------------------|-------------------------------------|
| MODULE             | 10                                  |
| PRESSURE ANGLE     | 20°                                 |
| NO. OF TEETH       | 71 <sup>T</sup>                     |
| D.O.G.N OF TEETH   | 8 <sup>T</sup> ) 231.354 $\pm 0.15$ |
| P.C.D              | $\phi 710$                          |
| 적용 분               | $\phi 710$ & S                      |

| NO   | DESCRIPTIONS | MT'L                    | SET QTY | SET QTY                      | UNIT | TOTAL WEIGHT KG        | REMARKS |
|--|--------------|-------------------------|---------|------------------------------|------|------------------------|---------|
| 1  | WHEEL GEAR   | SC49                    | 2       | 109                          |      | 218                    |         |
| DATE : 2014. 02                                |              | SCALE : N/S             |         | DRAWING No. : JD-SSWQ-710-WG |      |                        |         |
| DRAWN BY<br>J. H. GWAK                         |              | DESIGNED BY<br>J,H,GWAK |         | CHECKED BY                   |      | APPROVED BY<br>D,J,SIN |         |
| PROJECT TITLE<br>TRAVELLING WHEEL GEAR DRAWING |              |                         |         | DRAWING TITLE<br>$\phi 710$  |      |                        |         |

| DATE | M'K | REVISIONS | DWN | APPR | REMARKS |
|------|-----|-----------|-----|------|---------|
|      |     |           |     |      |         |
|      |     |           |     |      |         |



| WHEEL \ NOTATION | A  | B   | C   | D   | E    | F  | G  | WEIGHT<br>KG/EA |
|------------------|----|-----|-----|-----|------|----|----|-----------------|
| ø160             | 38 | 120 | 80  | 60  | 35   | 8  | 14 | 0.3             |
| ø200             | 38 | 120 | 80  | 70  | 40   | 8  | 14 | 0.3             |
| ø250             | 38 | 120 | 80  | 75  | 42.5 | 8  | 14 | 0.3             |
| ø315             | 50 | 150 | 100 | 80  | 45   | 8  | 14 | 0.5             |
| ø315S            | 38 | 120 | 80  | 60  | 35   | 8  | 18 | 0.3             |
| ø400             | 50 | 150 | 100 | 90  | 50   | 8  | 18 | 0.5             |
| ø400S            | 50 | 150 | 100 | 80  | 45   | 8  | 22 | 0.5             |
| ø500             | 50 | 170 | 120 | 105 | 57.5 | 10 | 18 | 0.7             |
| ø500S            | 50 | 150 | 100 | 90  | 50   | 8  | 22 | 0.5             |
| ø630             | 50 | 170 | 120 | 120 | 65   | 10 | 18 | 0.7             |
| ø630S            | 50 | 170 | 120 | 100 | 55   | 10 | 22 | 0.7             |
| ø710             | 55 | 210 | 150 | 130 | 67.5 | 12 | 18 | 1               |
| ø710S            | 50 | 170 | 120 | 110 | 60   | 10 | 22 | 0.7             |
| ø800             | 55 | 210 | 150 | 135 | 72.5 | 12 | 24 | 1               |
| ø800S            | 55 | 210 | 150 | 125 | 67.5 | 12 | 24 | 1               |





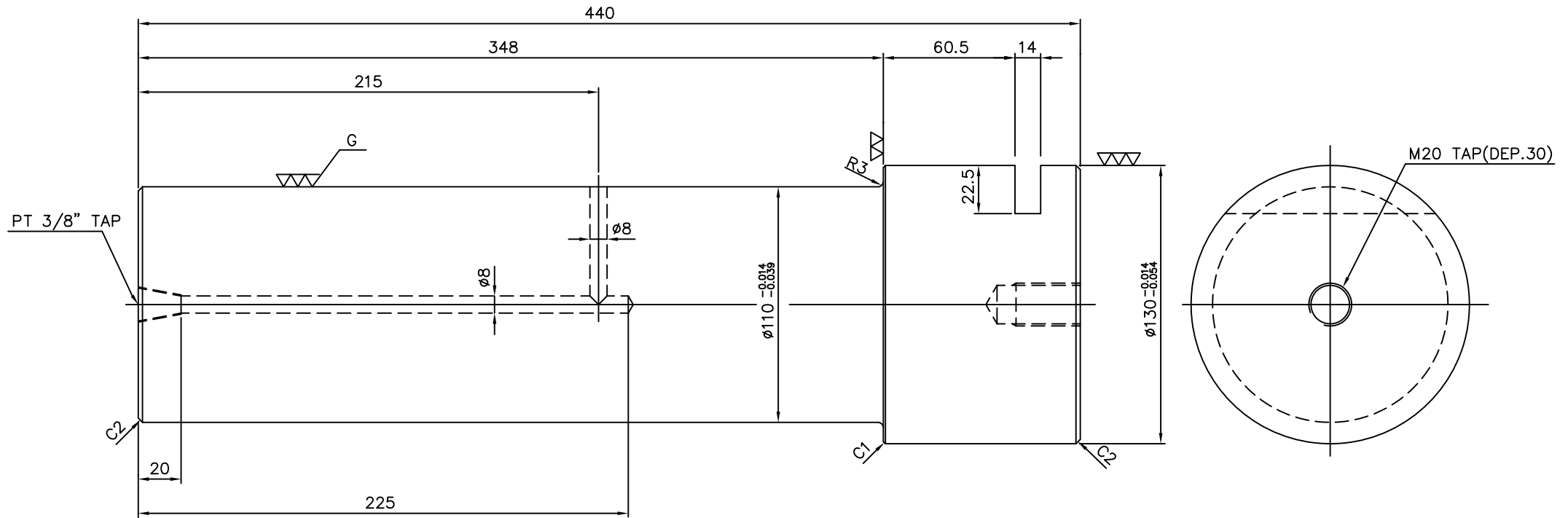
| NO  | DESCRIPTIONS | MT'L                    | SET<br>QTY | SET                         | UNIT | TOTAL<br>WEIGHT KG     | REMARKS |
|---|--------------|-------------------------|------------|-----------------------------|------|------------------------|---------|
| 1   | KEY PLATE    | SS41                    | 4          |                             |      |                        |         |
| DATE : 2014. 02                               |              | SCALE : N/S             |            | DRAWING No. : JD-SSWQ-710-K |      |                        |         |
| DRAWN BY<br>J. H. GWAK                        |              | DESIGNED BY<br>J,H,GWAK |            | CHECKED BY                  |      | APPROVED BY<br>D,J,SIN |         |
| PROJECT TITLE<br>TRAVELLING KEY PLATE DRAWING |              |                         |            | DRAWING TITLE<br>ø710       |      |                        |         |



JINDO HOIST CRANE.CO.LTD

| DATE | M'K | REVISIONS | DWN | APPR | REMARKS |
|------|-----|-----------|-----|------|---------|
|      |     |           |     |      |         |
|      |     |           |     |      |         |

(  ,  )



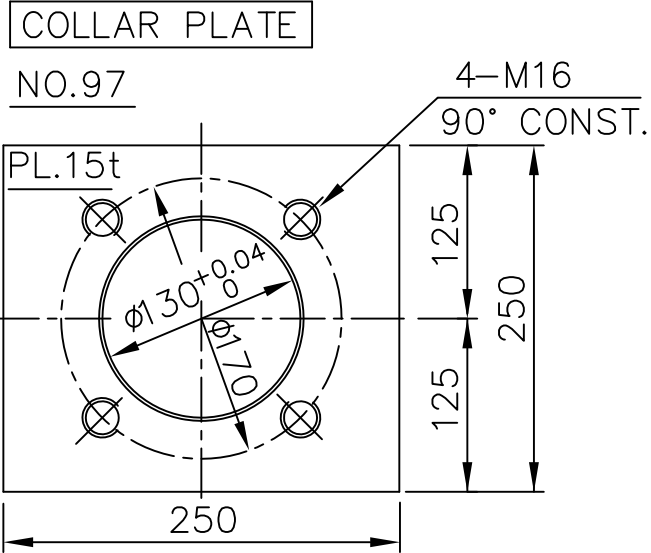
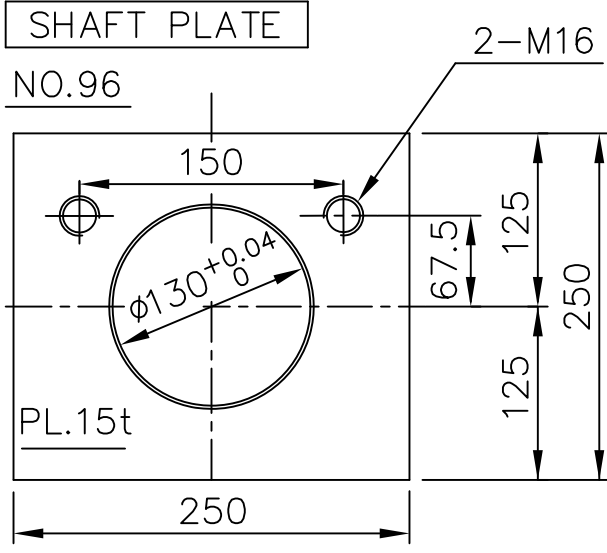
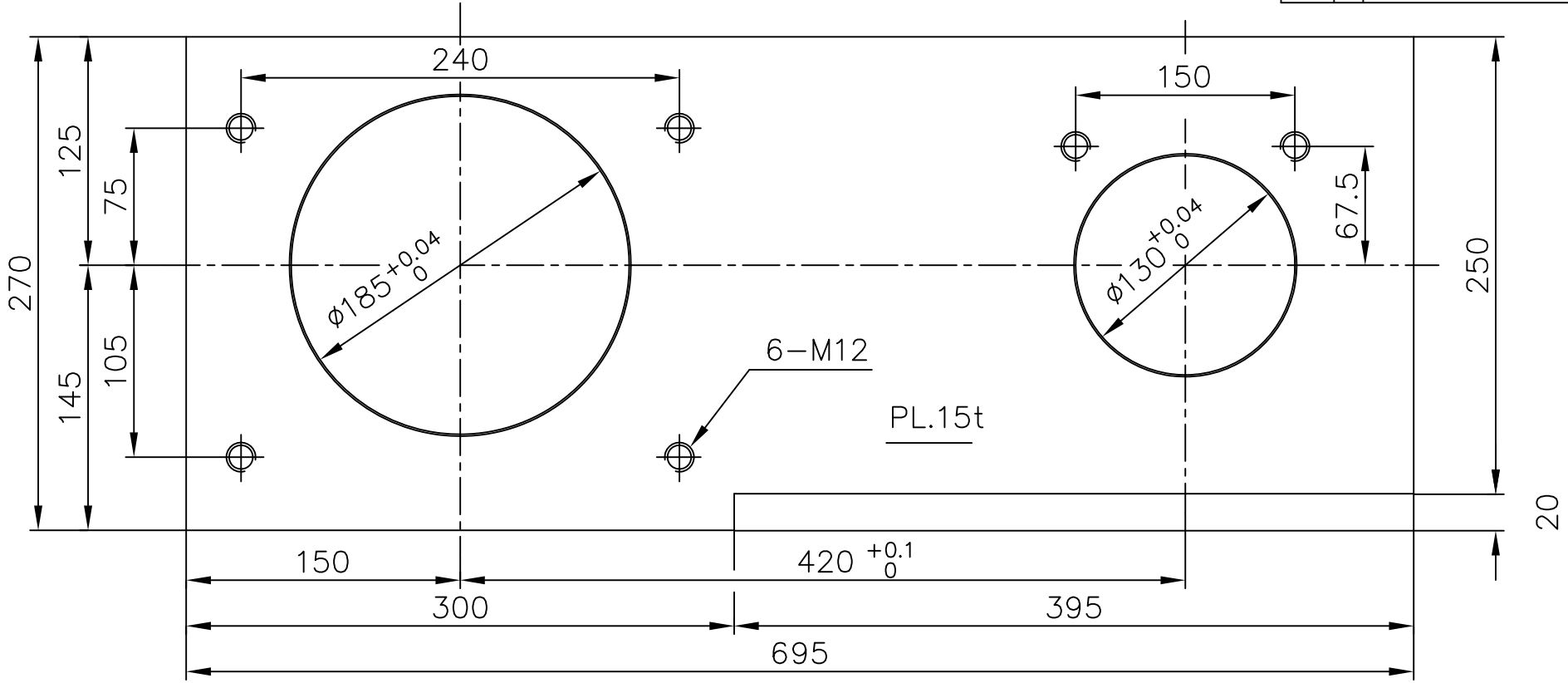
| 1   | SHAFT        | S45CN                   | 4       | 50                          | 200            | $\phi 135 \times 445L$ |         |
|---|--------------|-------------------------|---------|-----------------------------|----------------|------------------------|---------|
| NO  | DESCRIPTIONS | MT'L                    | SET QTY | SET QTY                     | UNIT WEIGHT KG | TOTAL WEIGHT KG        | REMARKS |
| DATE : 2014. 02                           |              | SCALE : N/S             |         | DRAWING No. : JD-SSWQ-710-S |                |                        |         |
| DRAWN BY<br>J. H. GWAK                    |              | DESIGNED BY<br>J,H,GWAK |         | CHECKED BY                  |                | APPROVED BY<br>D,J,SIN |         |
| PROJECT TITLE<br>TRAVELLING SHAFT DRAWING |              |                         |         | DRAWING TITLE<br>$\phi 710$ |                |                        |         |



JINDO HOIST CRANE.CO.LTD

Ø710 MOTOR PLATE NO.95



| DATE | M'K | REVISIONS | DWN | APPR | REMARKS |
|------|-----|-----------|-----|------|---------|
|      |     |           |     |      |         |

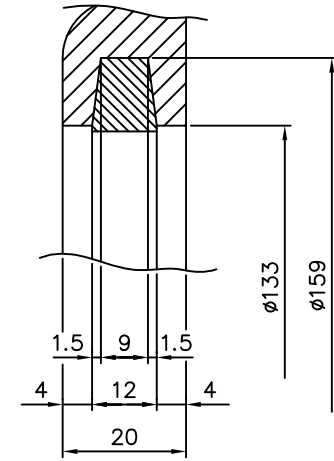
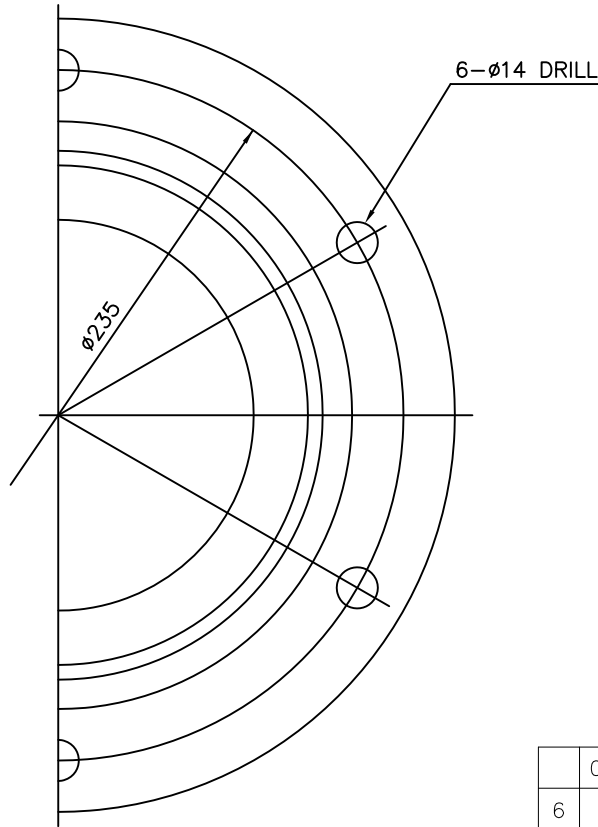
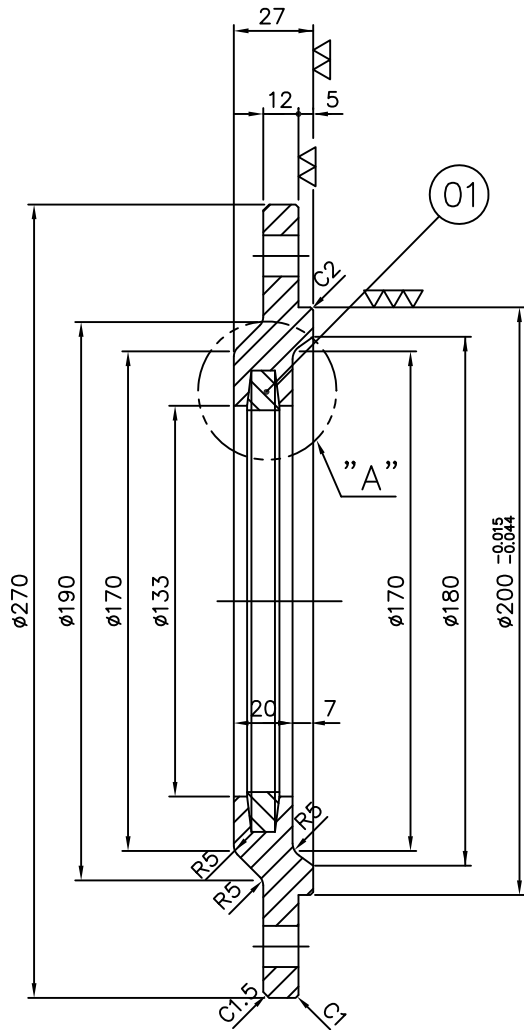


| NO  | DESCRIPTIONS | MT'L                    | SET | SET                         | UNIT   | TOTAL                  | REMARKS |
|---|--------------|-------------------------|-----|-----------------------------|--------|------------------------|---------|
|   |              |                         | QTY | QTY                         | WEIGHT | WEIGHT                 |         |
| 97  | PL15x250x250 | SS41                    | 4   |                             |        | 24.0                   |         |
| 96  | PL15x250x250 | SS41                    | 2   |                             |        | 12.0                   |         |
| 95  | PL15x270x695 | SS41                    | 2   |                             |        | 32.8                   |         |
| DATE : 2014. 02                           |              | SCALE : N/S             |     | DRAWING No. : JD-SSWQ-710-P |        |                        |         |
| DRAWN BY<br>J. H. GWAK                    |              | DESIGNED BY<br>J,H,GWAK |     | CHECKED BY                  |        | APPROVED BY<br>D,J,SIN |         |
| PROJECT TITLE<br>TRAVELLING PLAET DRAWING |              |                         |     | DRAWING TITLE<br>Ø710       |        |                        |         |



| DATE | M'K | REVISIONS | DWN | APPR | REMARKS |
|------|-----|-----------|-----|------|---------|
|      |     |           |     |      |         |
|      |     |           |     |      |         |

(, )





DETAIL "A"

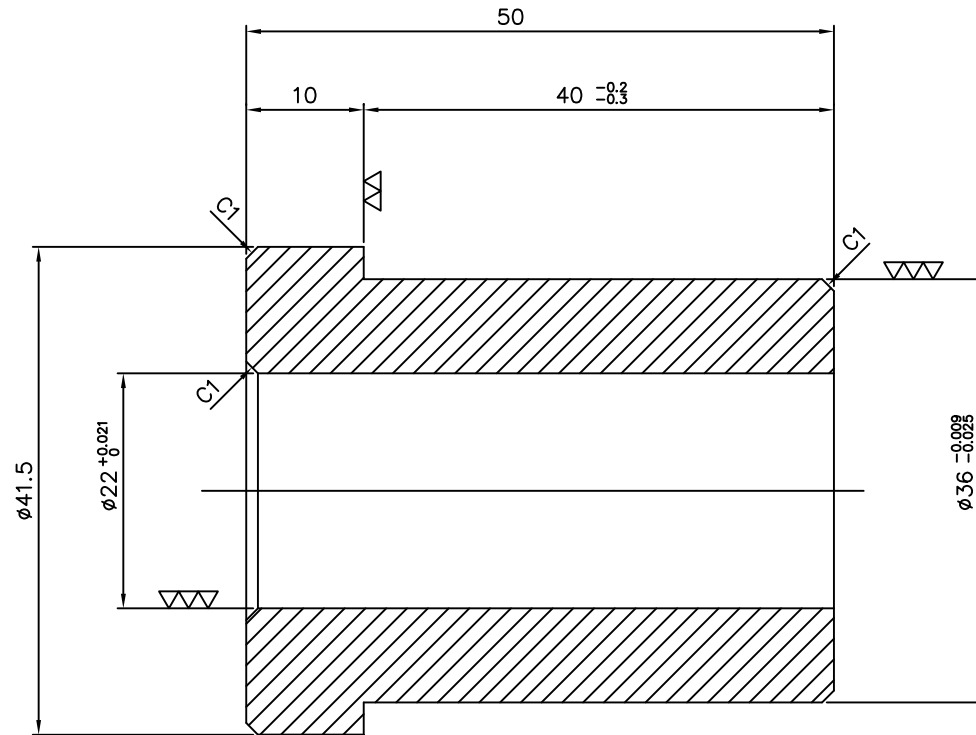
| 01  | FELT PACKING  | PUR-CHASE               | 8       |                              |             | 10.5tx<math>\phi 130</math>x<math>\phi 159</math> |         |
|---|---------------|-------------------------|---------|------------------------------|-------------|---|---------|
| 6   | BEARING COVER | SS41                    | 8       | 13.5                         | 108         | 29tx<math>\phi 275</math>                         |         |
| NO  | DESCRIPTIONS  | MT'L                    | SET QTY | SET QTY                      | UNIT WEIGHT | TOTAL WEIGHT KG                                   | REMARKS |
| DATE : 2014. 02                                   |               | SCALE : N/S             |         | DRAWING No. : JD-SSWQ-710-BC |             |   |         |
| DRAWN BY<br>J. H. GWAK                            |               | DESIGNED BY<br>J,H,GWAK |         | CHECKED BY                   |             | APPROVED BY<br>D,J,SIN                            |         |
| PROJECT TITLE<br>TRAVELLING BEARING COVER DRAWING |               |                         |         | DRAWING TITLE<br>$\phi 710$  |             |   |         |



JINDO HOIST CRANE.CO.LTD

| DATE | M'K | REVISIONS | DWN | APPR | REMARKS |
|------|-----|-----------|-----|------|---------|
|      |     |           |     |      |         |
|      |     |           |     |      |         |

(  ,  )



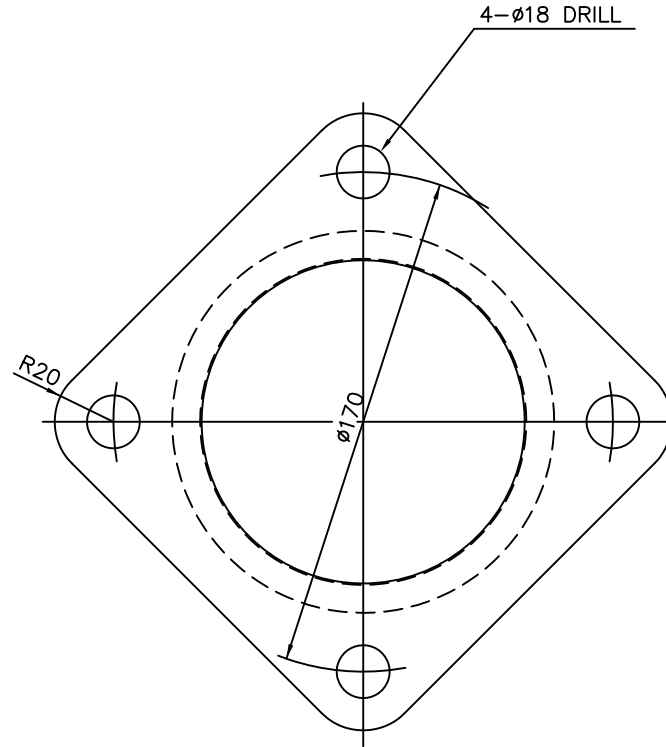
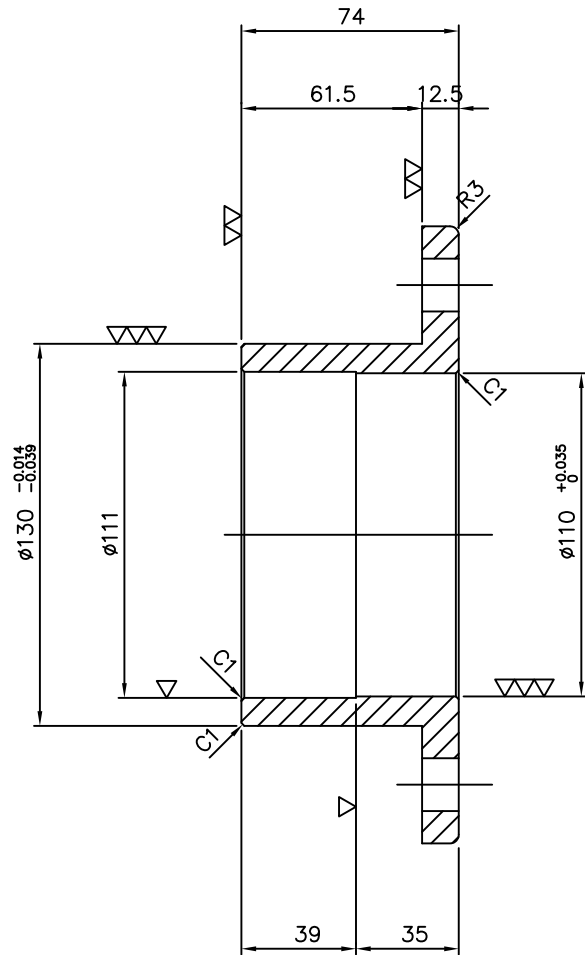
| 1  | BUSH         | S45CN                   | 6   | 0.7                          | 4.2    | $\phi 45 \times 55L$   |         |
|--|--------------|-------------------------|-----|------------------------------|--------|------------------------|---------|
| NO                                       | DESCRIPTIONS | MT'L                    | SET | SET                          | UNIT   | TOTAL                  | REMARKS |
|  |              |                         | QTY |                              | WEIGHT | KG                     |         |
| DATE : 2014. 02                          |              | SCALE : N/S             |     | DRAWING No. : JD-SSWQ-710-BU |        |                        |         |
| DRAWN BY<br>J. H. GWAK                   |              | DESIGNED BY<br>J,H,GWAK |     | CHECKED BY                   |        | APPROVED BY<br>D,J,SIN |         |
| PROJECT TITLE<br>TRAVELLING BUSH DRAWING |              |                         |     | DRAWING TITLE<br>$\phi 710$  |        |                        |         |



JINDO HOIST CRANE.CO.LTD

| DATE | M'K | REVISIONS | DWN | APPR | REMARKS |
|------|-----|-----------|-----|------|---------|
|      |     |           |     |      |         |
|      |     |           |     |      |         |

( , ▽ , ▽ )



| 1  | COLLAR       | FCD40                   | 4       | 5.5                         | 22             |                        |         |
|--|--------------|-------------------------|---------|-----------------------------|----------------|------------------------|---------|
| NO   | DESCRIPTIONS | MT'L                    | SET QTY | SET                         | UNIT WEIGHT KG | TOTAL WEIGHT KG        | REMARKS |
| DATE : 2014. 02                            |              | SCALE : N/S             |         | DRAWING No. : JD-SSWQ-710-C |                |                        |         |
| DRAWN BY<br>J. H. GWAK                     |              | DESIGNED BY<br>J,H,GWAK |         | CHECKED BY                  |                | APPROVED BY<br>D,J,SIN |         |
| PROJECT TITLE<br>TRAVELLING COLLAR DRAWING |              |                         |         | DRAWING TITLE<br>Ø710       |                |                        |         |



JINDO HOIST CRANE.CO.LTD