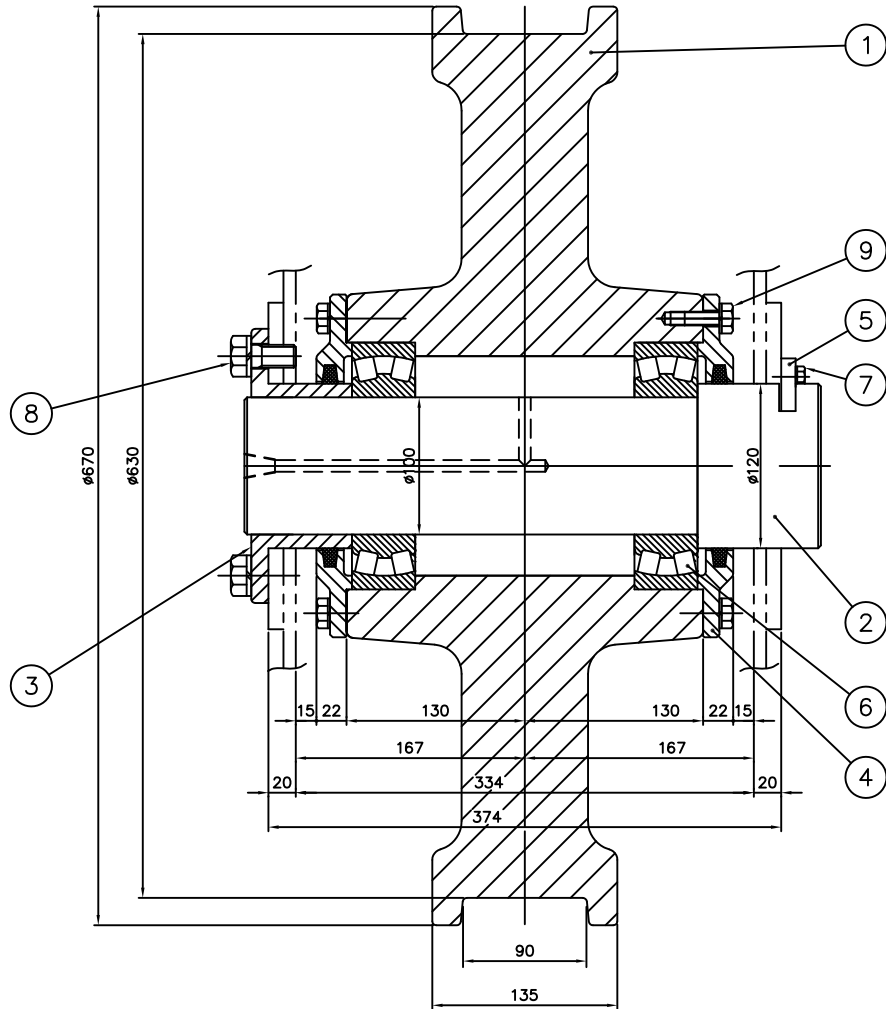


13	BOLT, SW	4T	24		M12x40 ^L x30 ^S		
12	BOLT, SW	4T	8		M16x35 ^L x25 ^S		
11	BOLT, SW	4T	4		M20x35 ^L x25 ^S		
10	W/S		6				
9	HIGHTENSION BOLT		6				
8	BEARING	PUR-CHASE	4		#22220		
7	KEY PLATE	SS41	2		JD-φ630-K		
6	BUSH	S45CN	6		JD-φ630-BU		
5	BEARING COVER	SS41	4		JD-φ630-BC		
4	COLLAR	FCD40	2		JD-φ630-C		
3	SHAFT	S45CN	2		JD-φ630-S		
2	WHEEL GEAR	SC49	2		JD-φ630-GR		
1	DRIVING WHEEL	SSWQ1R	2		JD-φ630-D		
	ASS'Y OF DRIVING WHEEL	-	2				
NO	DESCRIPTIONS	MT'L	SET	SET	UNIT	TOTAL	REMARKS
			QTY	QTY	WEIGHT	KG	
DATE : 2014. 02		SCALE : N/S		DRAWING No. : JD-SSWQ-630-D			
DRAWN BY J. H. GWAK		DESIGNED BY J,H,GWAK		CHECKED BY		APPROVED BY D,J,SIN	
PROJECT TITLE TRAVELLING DRIVING DRAWING				DRAWING TITLE φ630			



JINDO HOIST CRANE.CO.LTD

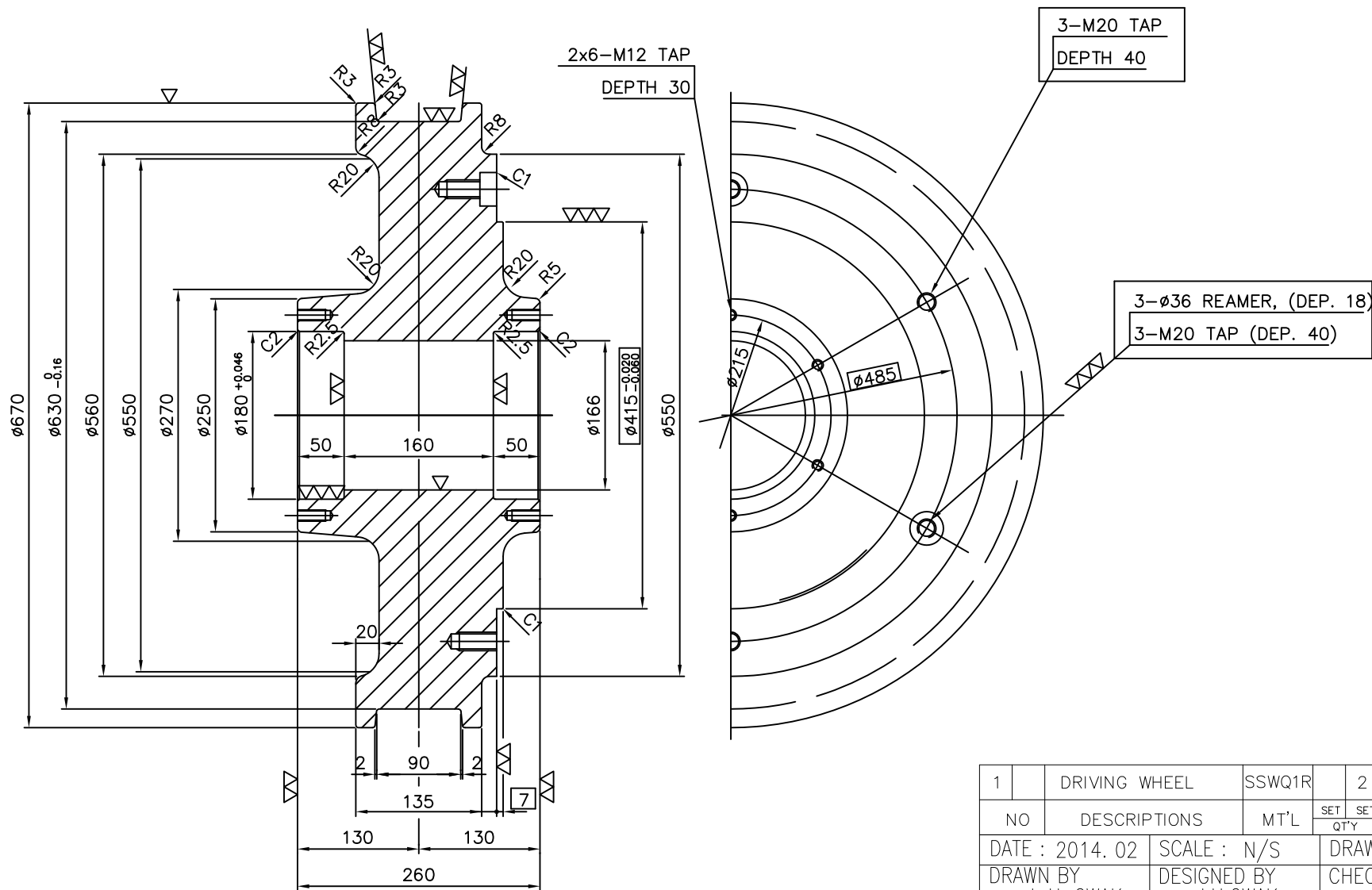


9	BOLT ,SW	4T	24			M12x40 ^L x30 ^S	
8	BOLT ,SW	4T	8			M16x35 ^L x25 ^S	
7	BOLT ,SW	4T	4			M20x35 ^L x25 ^S	
6	BEARING	PUR-CHASE	4			#22220	
5	KEY PLATE	SS41	2			GF-WQ630-K	
4	BEARING COVER	SS41	4			GF-WQ630-BC	
3	COLLAR	FCD40	2			GF-WQ630-C	
2	SHAFT	S45CN	2			GF-WQ630-S	
1	FOLLOWING WHEEL	SSWQ1R	2			GF-WQ630-F1	
	ASS'Y OF FOLLOWING WHEEL		2				
NO	DESCRIPTIONS	MT'L	SET	SET	UNIT	TOTAL	REMARKS
			QTY		WEIGHT	KG	
DATE : 2014. 02		SCALE : N/S		DRAWING No. : JD-SSWQ-630-F			
DRAWN BY J. H. GWAK		DESIGNED BY J,H,GWAK		CHECKED BY		APPROVED BY D,J,SIN	
PROJECT TITLE TRAVELLING DRIVING PLAET DRAWING				DRAWING TITLE ø630			



JINDO HOIST CRANE.CO.LTD

(, ∇, ∇, ∇, ∇)

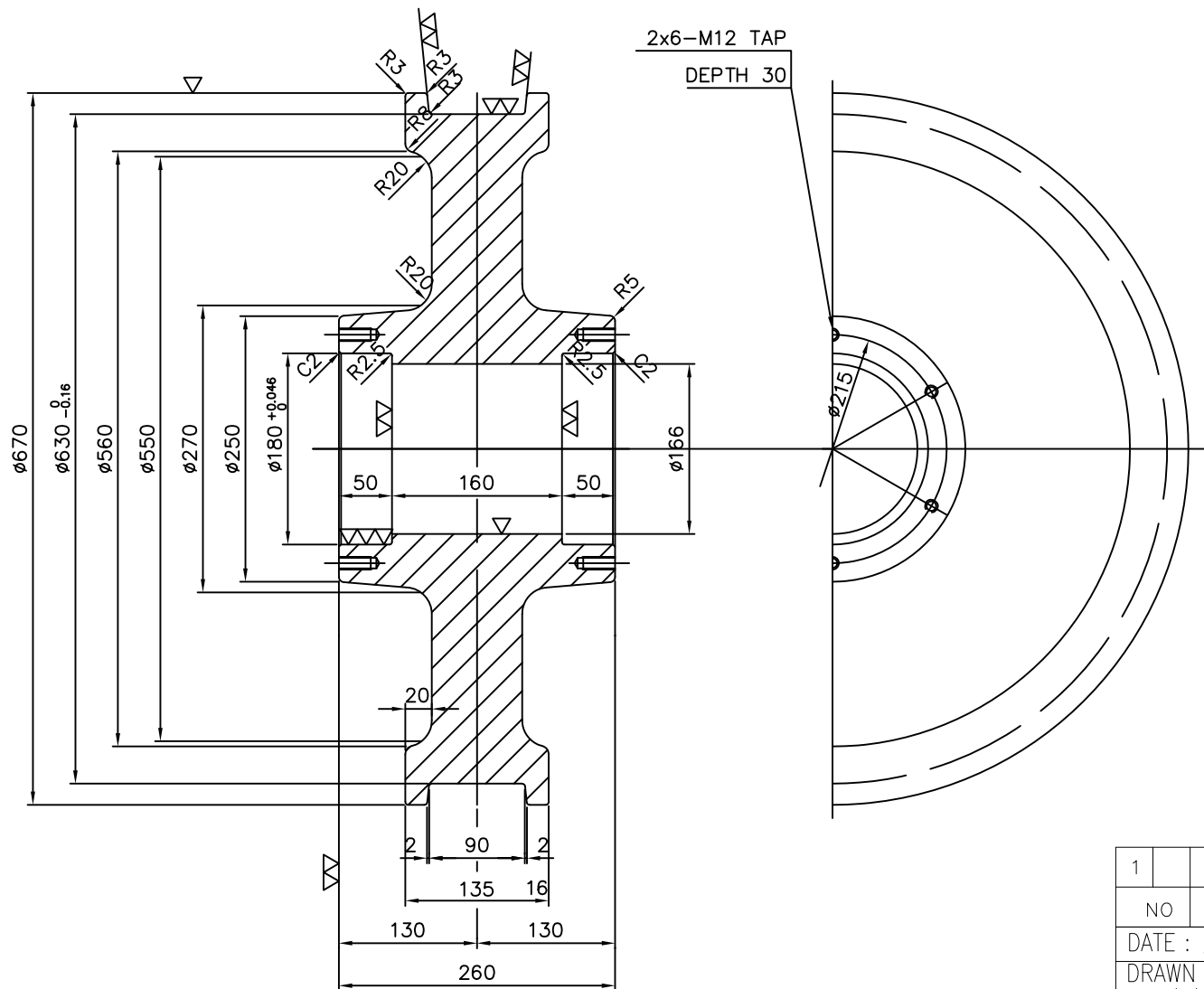


1	DRIVING WHEEL	SSWQ1R		2				
NO	DESCRIPTIONS	MT'L	SET QTY	SET	UNIT	TOTAL WEIGHT KG	REMARKS	
DATE : 2014. 02		SCALE : N/S		DRAWING No. : JD-SSWQ-630-D1				
DRAWN BY J. H. GWAK		DESIGNED BY J,H,GWAK		CHECKED BY		APPROVED BY D,J,SIN		
PROJECT TITLE TRAVELLING DRIVING DRAWING				DRAWING TITLE ø630				



JINDO HOIST CRANE.CO.LTD

(, ∇, ∇, ∇, ∇)

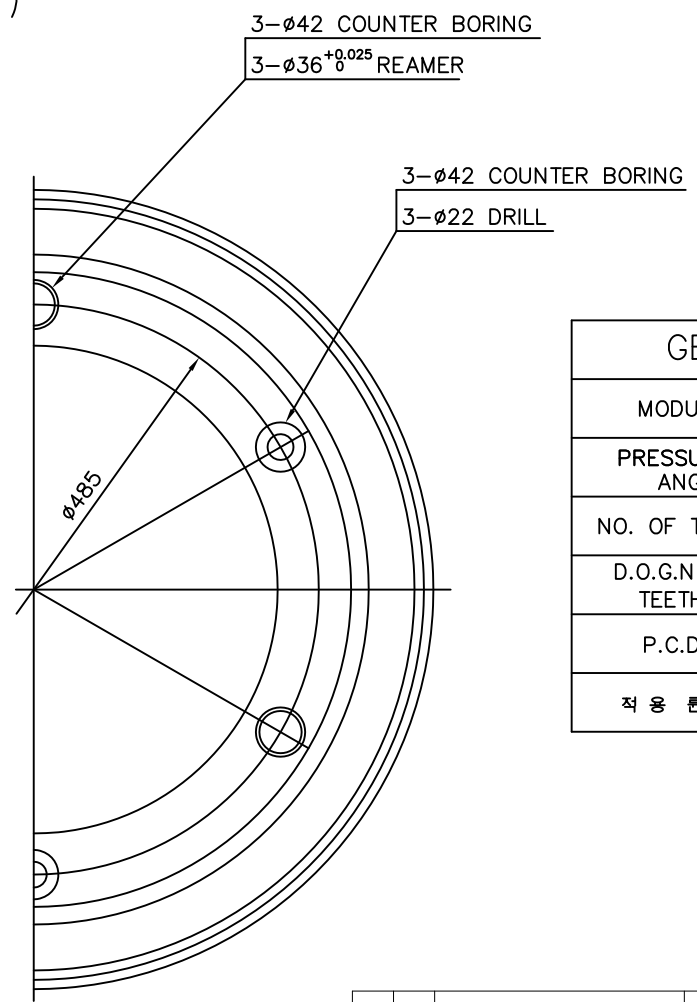
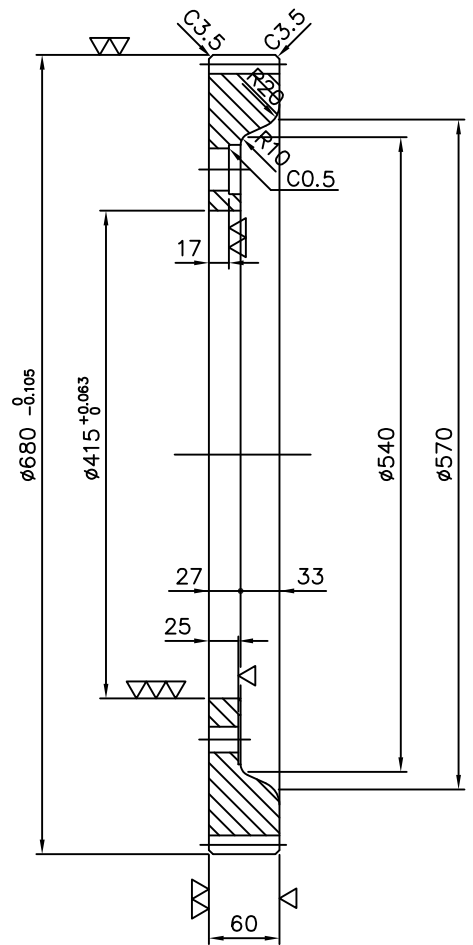


1		FOLLOWING WHEEL	SSWQ1R		2				
NO	DESCRIPTIONS		MT'L	SET QTY	SET	UNIT	TOTAL WEIGHT KG	REMARKS	
	DATE : 2014. 02	SCALE : N/S						DRAWING No. : JD-SSWQ-630-F1	
	DRAWN BY J. H. GWAK	DESIGNED BY J,H,GWAK			CHECKED BY			APPROVED BY D,J,SIN	
PROJECT TITLE TRAVELLING FOLLOWING DRAWING						DRAWING TITLE ø630			



JINDO HOIST CRANE.CO.LTD

(, )



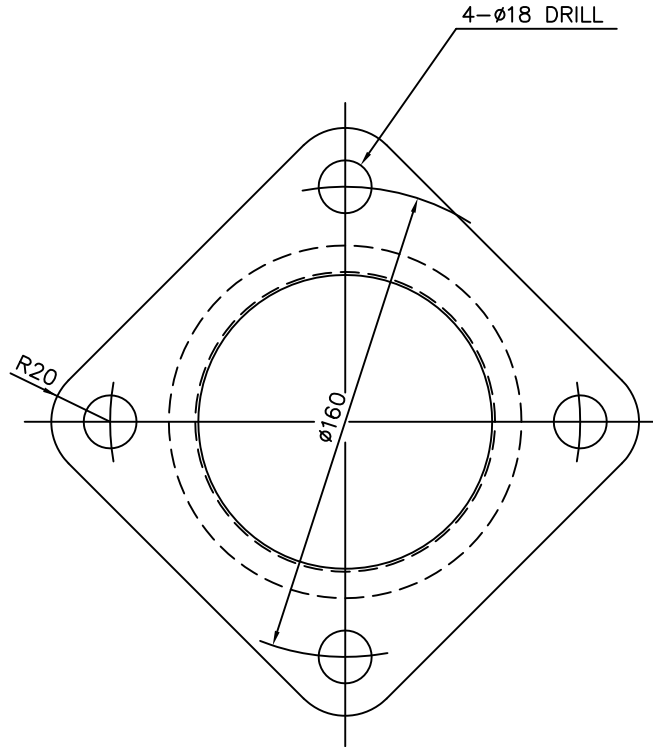
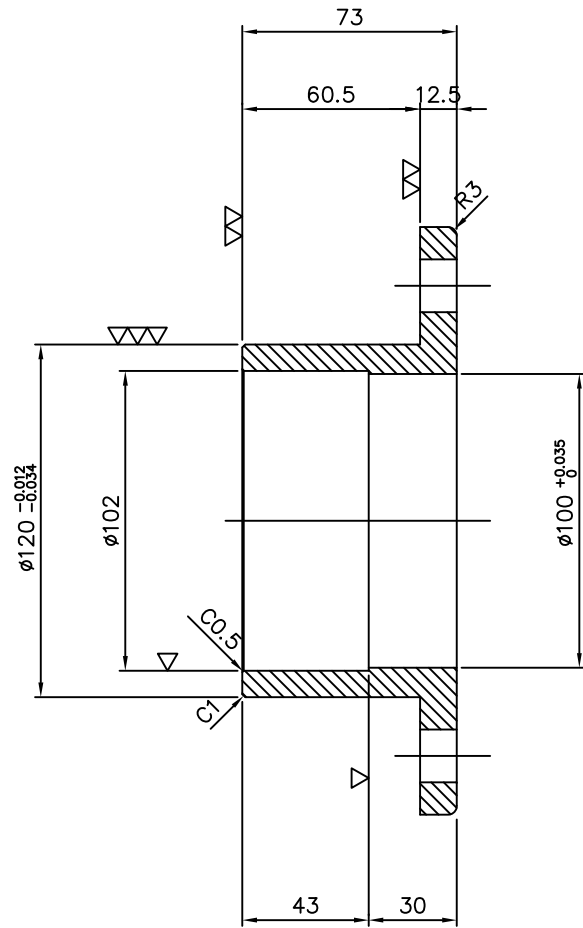
GEAR SPECIFICATION		
MODULE	8	10
PRESSURE ANGLE	20°	
NO. OF TEETH	83 ^T	66 ^T
D.O.G.N OF TEETH	10 ^T)233.66 = -0.14	8 ^T)230.65 = -0.55
P.C.D	ø664	ø660
적용 른	ø630	ø630S

1	WHEEL GEAR	SC49	2	100	200		
NO	DESCRIPTIONS	MT'L	SET QTY	SET	UNIT WEIGHT KG	TOTAL WEIGHT KG	REMARKS
DATE : 2014. 02		SCALE : N/S		DRAWING No. : JD-SSWQ-630-WG			
DRAWN BY J. H. GWAK		DESIGNED BY J,H,GWAK		CHECKED BY		APPROVED BY D,J,SIN	
PROJECT TITLE TRAVELLING WHEEL GEAR DRAWING				DRAWING TITLE ø630			



JINDO HOIST CRANE.CO.LTD



(, ▽ , ▽)

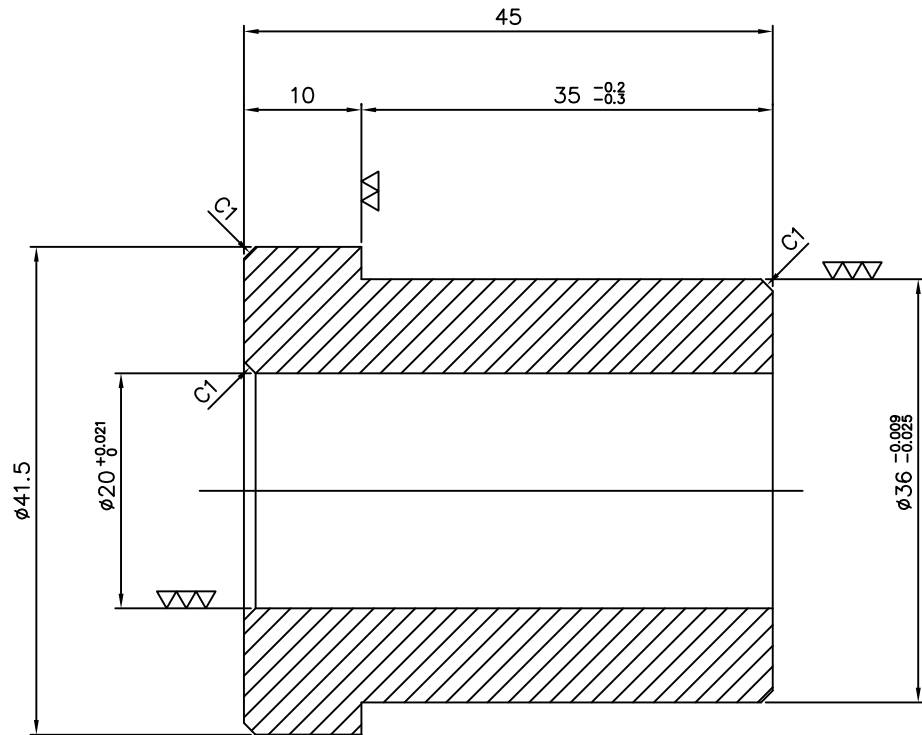


1	COLLAR	FCD40	4	5	20		
NO	DESCRIPTIONS	MT'L	SET QTY	SET	UNIT WEIGHT KG	TOTAL WEIGHT KG	REMARKS
DATE : 2014. 02		SCALE : N/S		DRAWING No. : JD-SSWQ-630-C			
DRAWN BY J. H. GWAK		DESIGNED BY J,H,GWAK		CHECKED BY		APPROVED BY D,J,SIN	
PROJECT TITLE TRAVELLING COLLAR DRAWING				DRAWING TITLE $\phi 630$			



JINDO HOIST CRANE.CO.LTD

( , )

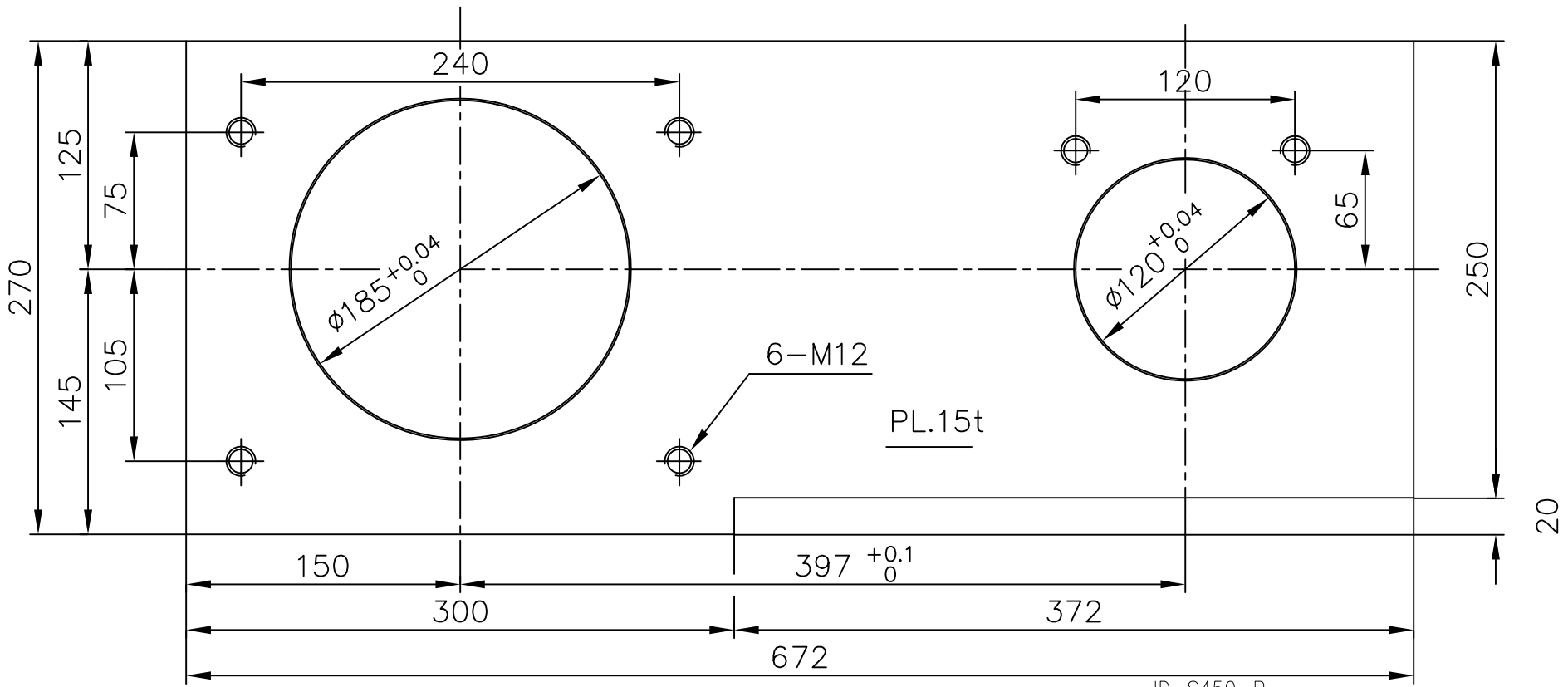


7	BUSH	S45CN	6	0.6	3.6	$\phi 45 \times 50L$	
NO	DESCRIPTIONS	MT'L	SET	SET	UNIT	TOTAL	REMARKS
			QTY		WEIGHT	KG	
DATE : 2014. 02		SCALE : N/S		DRAWING No. : JD-SSWQ-630-BU			
DRAWN BY J. H. GWAK		DESIGNED BY J,H,GWAK		CHECKED BY		APPROVED BY D,J,SIN	
PROJECT TITLE TRAVELLING BUSH DRAWING				DRAWING TITLE $\phi 630$			



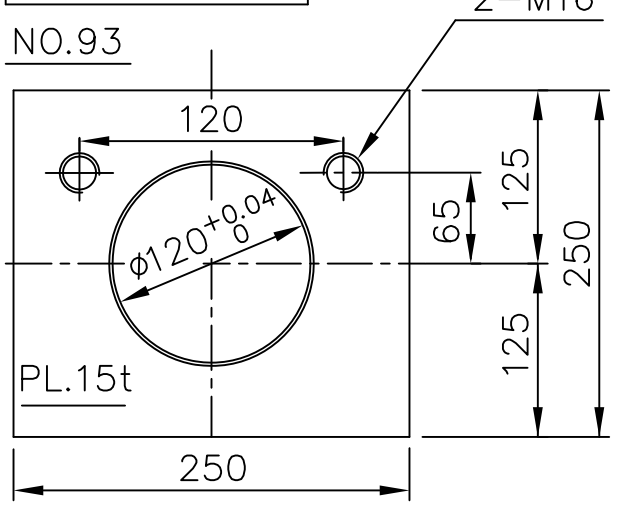
JINDO HOIST CRANE.CO.LTD

Ø630 MOTOR PLATE NO.92

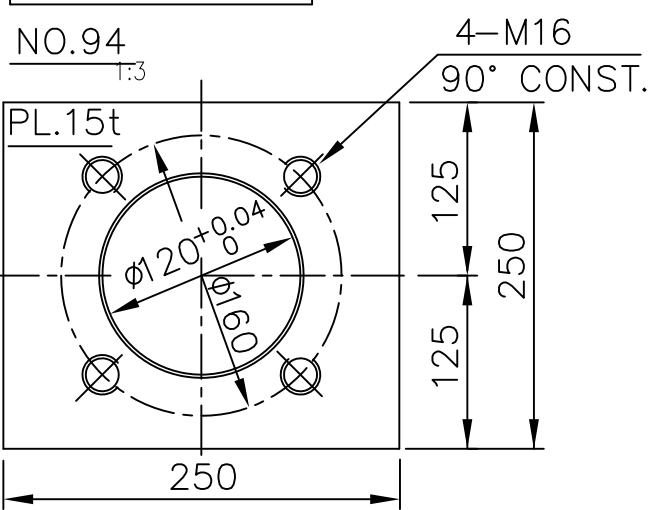


JD-S450-P

SHAFT PLATE NO.93



COLLAR PLATE NO.94

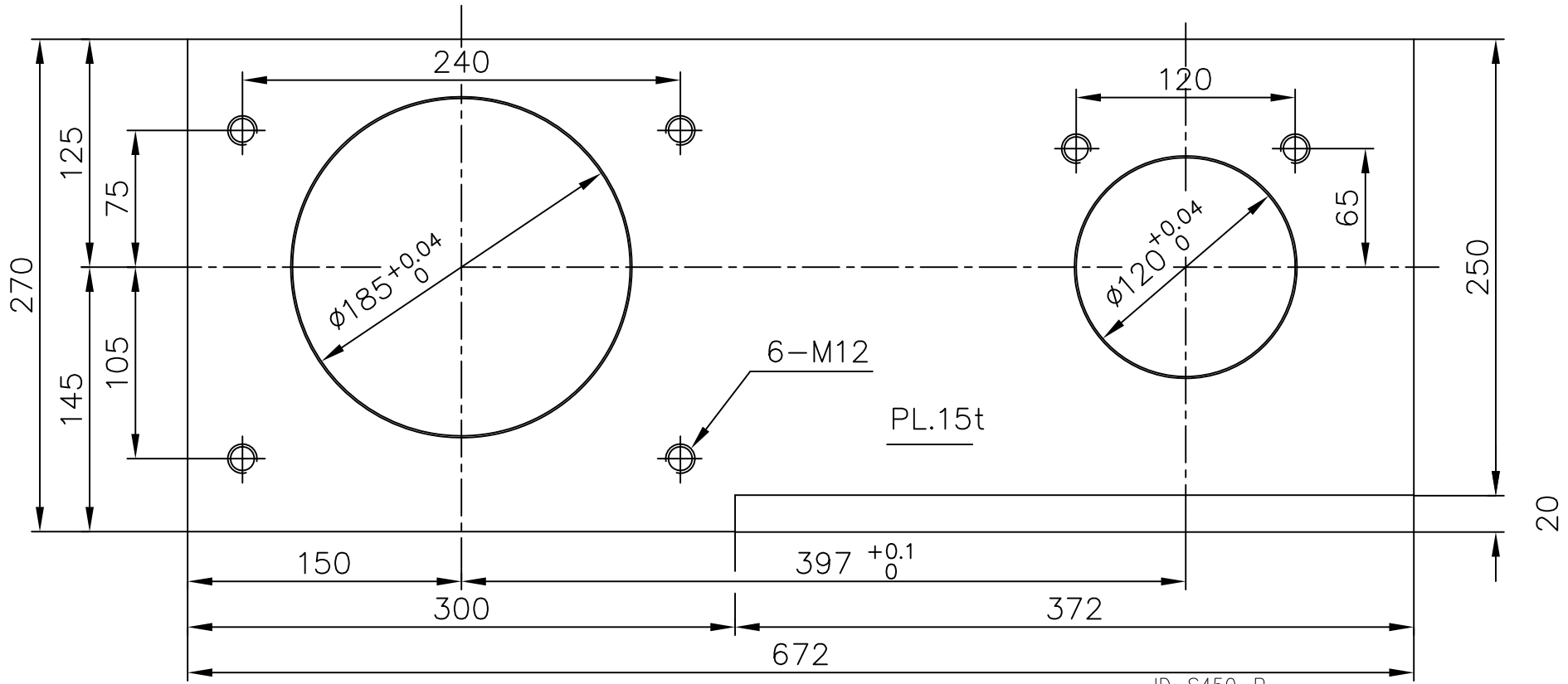


NO	DESCRIPTIONS	MT'L	SET	SET	UNIT	TOTAL	REMARKS
			QTY	QTY	WEIGHT KG	WEIGHT KG	
94	PL15x250x250	SS41	4			24.0	
93	PL15x250x250	SS41	2			12.0	
92	PL15x270x672	SS41	2			31.9	
DATE : 2014. 02		SCALE : N/S		DRAWING No. : JD-SSWQ-630-P			
DRAWN BY J. H. GWAK		DESIGNED BY J,H,GWAK		CHECKED BY		APPROVED BY D,J,SIN	
PROJECT TITLE TRAVELLING PLAEET DRAWING				DRAWING TITLE Ø630			



JINDO HOIST CRANE.CO.LTD

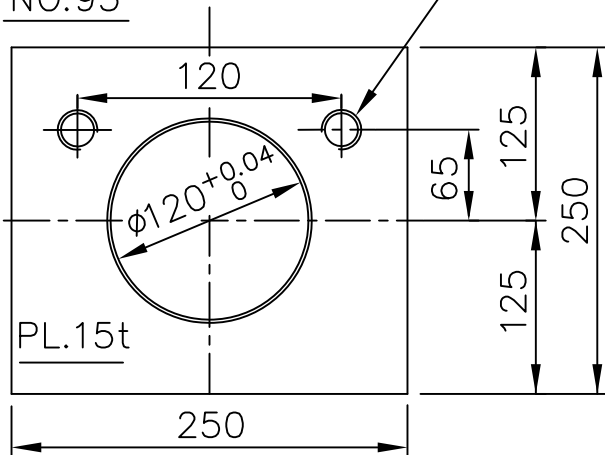
Ø630 MOTOR PLATE NO.92



JD-S450-P

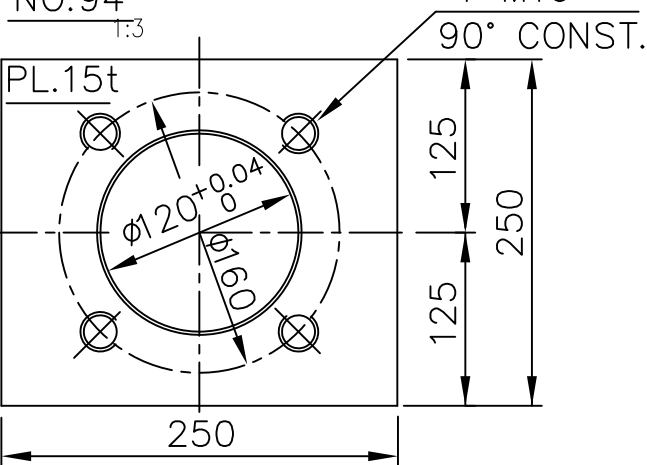
SHAFT PLATE

NO.93



COLLAR PLATE

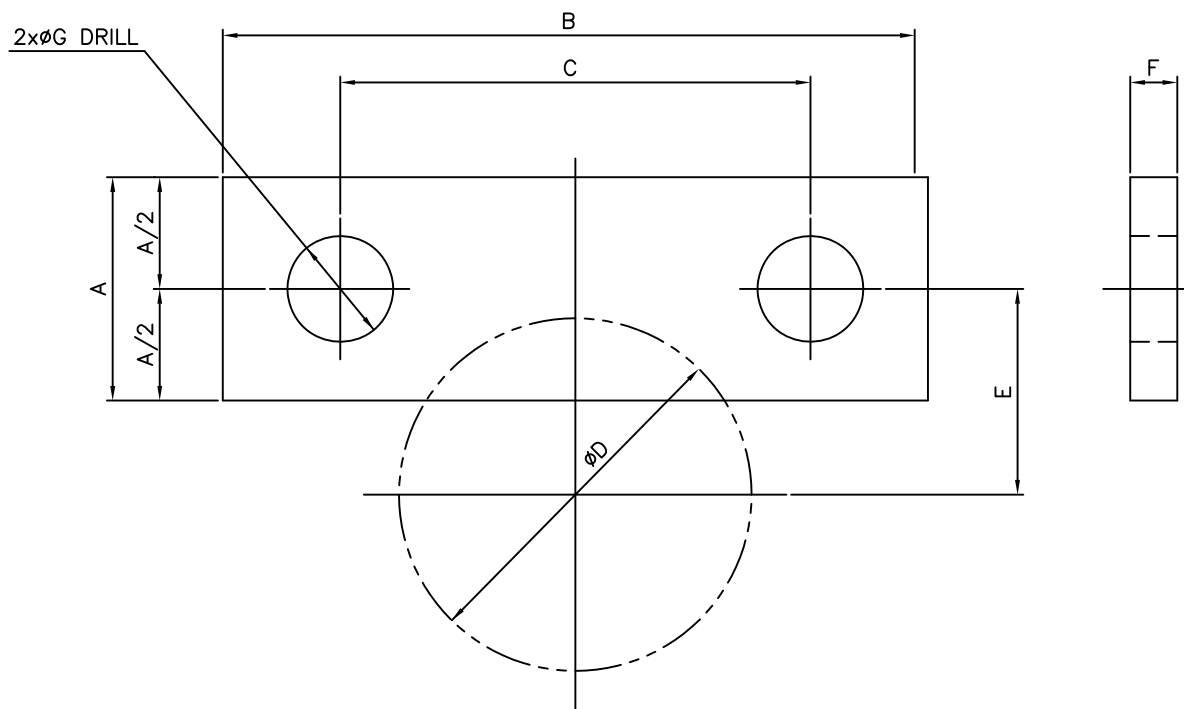
NO.94



NO	DESCRIPTIONS	MT'L	SET	SET	UNIT	TOTAL	REMARKS
			QTY	QTY	WEIGHT KG	WEIGHT KG	
94	PL15x250x250	SS41	4			24.0	
93	PL15x250x250	SS41	2			12.0	
92	PL15x270x672	SS41	2			31.9	
DATE : 2014. 02		SCALE : N/S		DRAWING No. : JD-SSWQ-630-P			
DRAWN BY J. H. GWAK		DESIGNED BY J,H,GWAK		CHECKED BY		APPROVED BY D,J,SIN	
PROJECT TITLE TRAVELLING PLAEET DRAWING				DRAWING TITLE Ø630			



JINDO HOIST CRANE.CO.LTD



WHEEL \ NOTATION	A	B	C	D	E	F	G	WEIGHT KG/EA
φ160	38	120	80	60	35	8	14	0.3
φ200	38	120	80	70	40	8	14	0.3
φ250	38	120	80	75	42.5	8	14	0.3
φ315	50	150	100	80	45	8	14	0.5
φ315S	38	120	80	60	35	8	18	0.3
φ400	50	150	100	90	50	8	18	0.5
φ400S	50	150	100	80	45	8	22	0.5
φ500	50	170	120	105	57.5	10	18	0.7
φ500S	50	150	100	90	50	8	22	0.5
φ630	50	170	120	120	65	10	18	0.7
φ630S	50	170	120	100	55	10	22	0.7
φ710	55	210	150	130	67.5	12	18	1
φ710S	50	170	120	110	60	10	22	0.7
φ800	55	210	150	135	72.5	12	24	1
φ800S	55	210	150	125	67.5	12	24	1

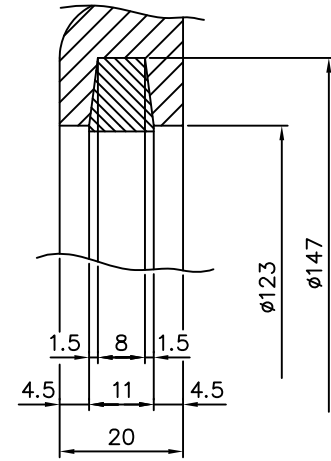
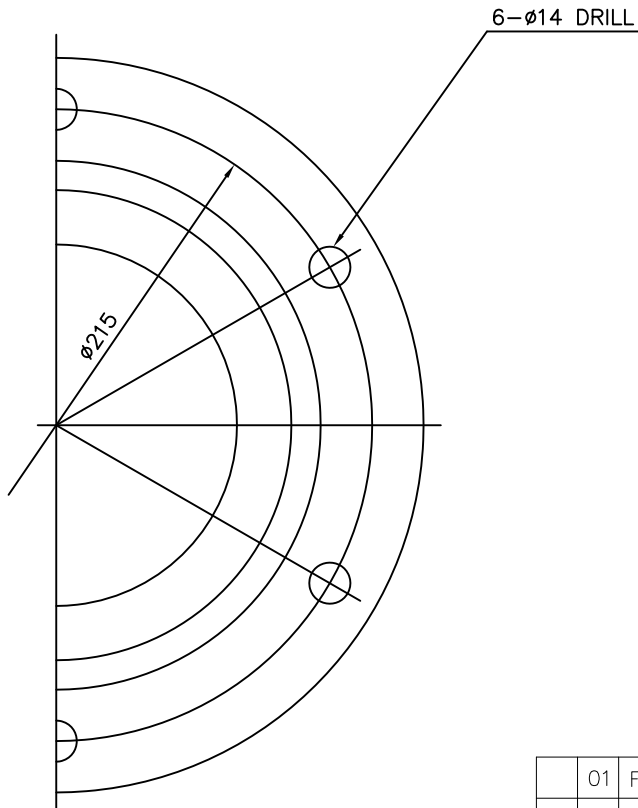
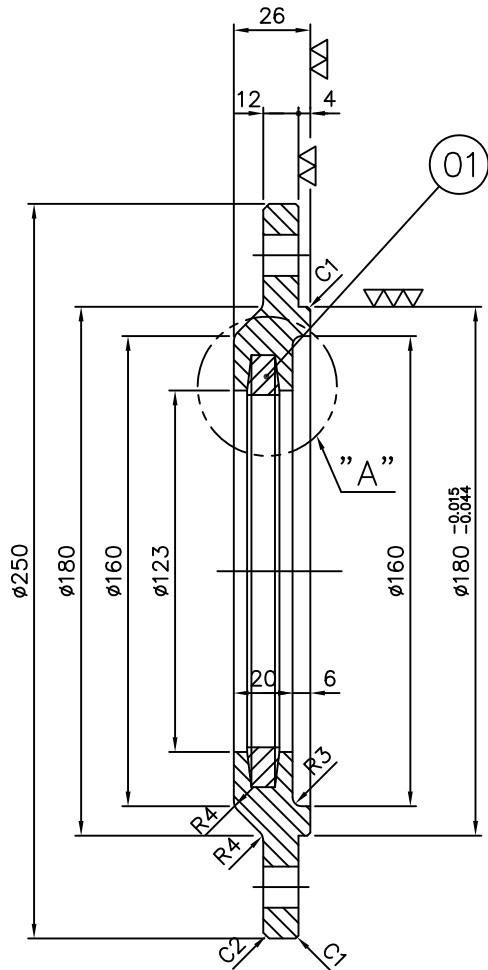


NO	DESCRIPTIONS	MT'L	SET QTY	SET	UNIT	TOTAL WEIGHT KG	REMARKS
1	KEY PLATE	SS41	4				
DATE : 2014. 02		SCALE : N/S		DRAWING No. : JD-SSWQ-630-K			
DRAWN BY J. H. GWAK		DESIGNED BY J,H,GWAK		CHECKED BY		APPROVED BY D,J,SIN	
PROJECT TITLE TRAVELLING KEY PLATE DRAWING				DRAWING TITLE φ630			



JINDO HOIST CRANE.CO.LTD

(∇ , $\nabla\nabla$)





DETAIL "A"

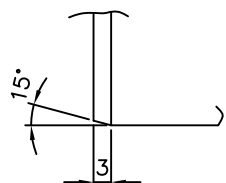
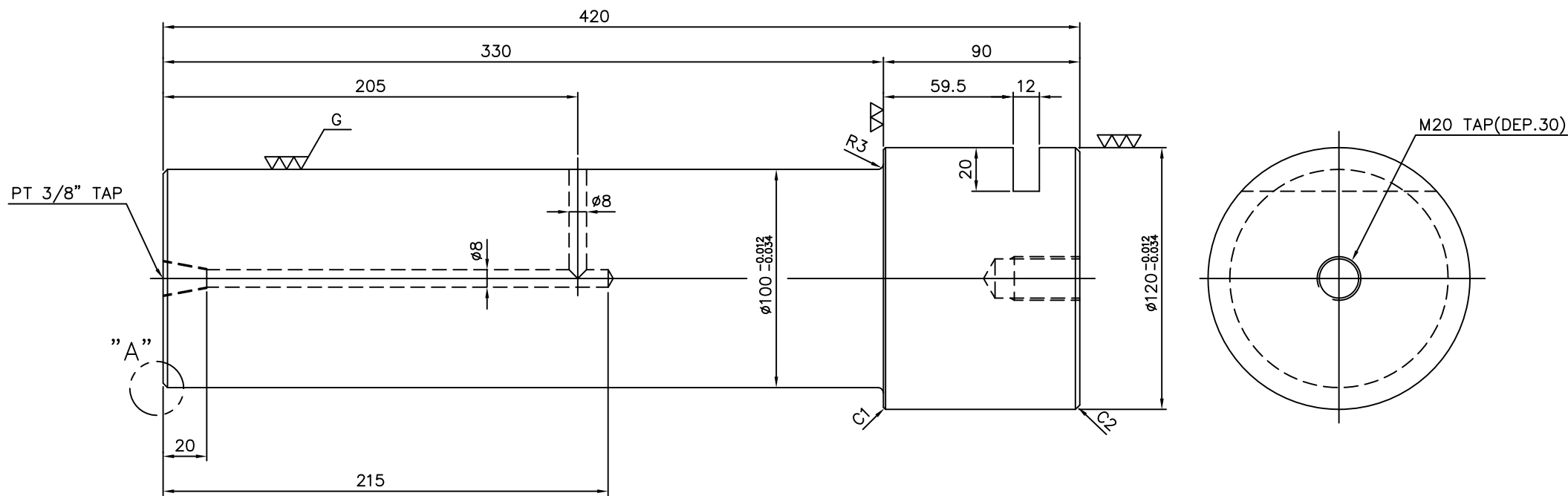
JD-S450-F

01	FELT PACKING	PUR-CHASE	8			9.5 ^t xø120xø147	
1	BEARING COVER	SS41	8	11	88	28 ^t xø255	
NO	DESCRIPTIONS	MT'L	SET QTY	SET	UNIT WEIGHT KG	TOTAL WEIGHT KG	REMARKS
DATE : 2014. 02		SCALE : N/S		DRAWING No. : JD-SSWQ-630-BC			
DRAWN BY J. H. GWAK		DESIGNED BY J,H,GWAK		CHECKED BY		APPROVED BY D,J,SIN	
PROJECT TITLE TRAVELLING BEARING COVER DRAWING				DRAWING TITLE ø630			



JINDO HOIST CRANE.CO.LTD

( , )



DETAIL "A"

1	SHAFT	S45CN		4	41	164	$\phi 125 \times 425L$
NO	DESCRIPTIONS	MT'L	SET QTY	SET QTY	UNIT	TOTAL WEIGHT KG	REMARKS
DATE : 2014. 02		SCALE : N/S		DRAWING No. : JD-SSWQ-630-S			
DRAWN BY J. H. GWAK		DESIGNED BY J,H,GWAK		CHECKED BY		APPROVED BY D,J,SIN	
PROJECT TITLE TRAVELLING SHAFT DRAWING				DRAWING TITLE $\phi 630$			



JINDO HOIST CRANE.CO.LTD

SHAFT S45CN 4