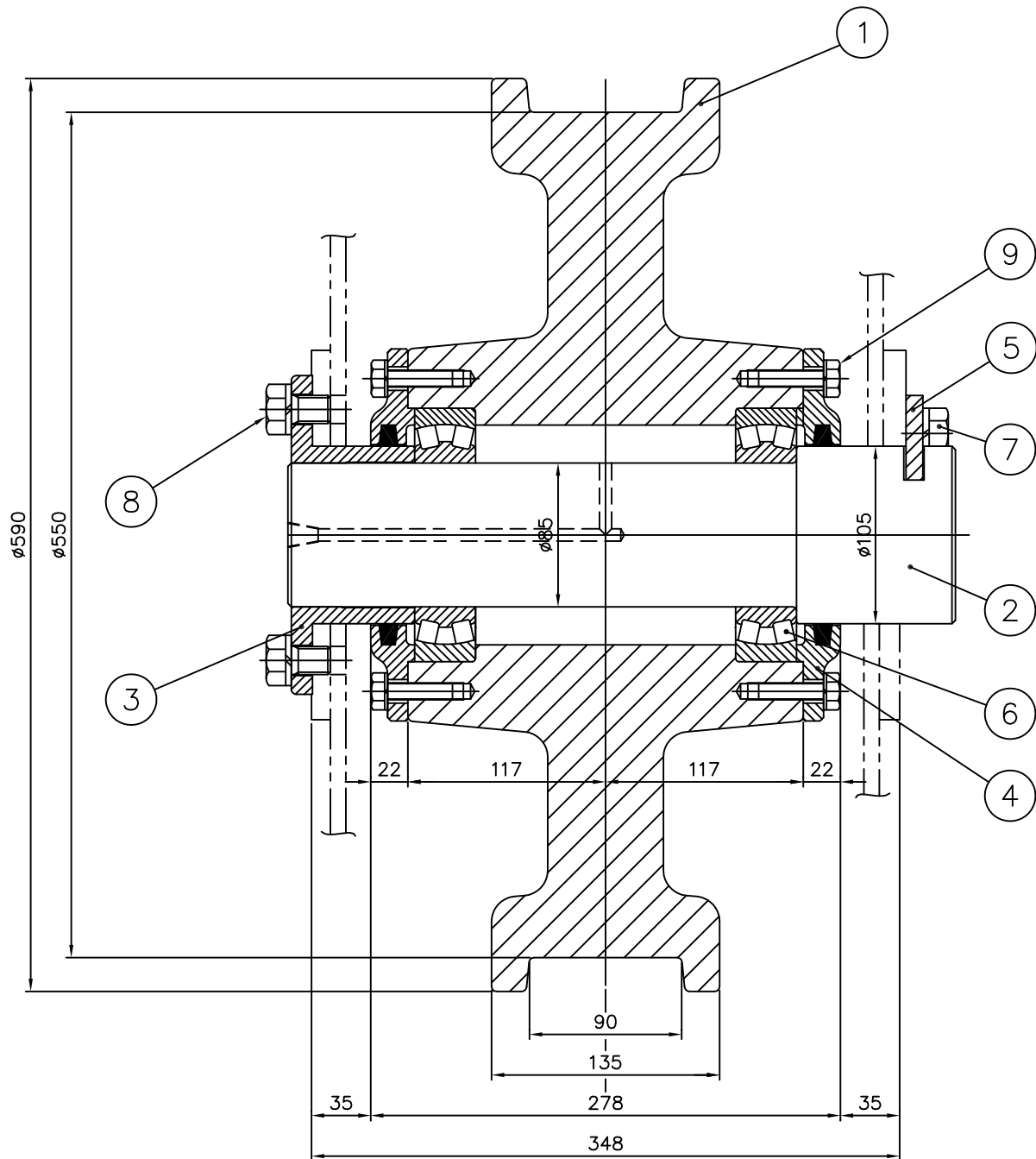


13	BOLT,SW	4T	24		M12x35 ^L x25 ^S		
12	BOLT,SW	4T	8		M16x35 ^L x25 ^S		
11	BOLT,SW	4T	4		M20x35 ^L x25 ^S		
10	STUD BOLT B	S20C	6				
9	STUD BOLT A	S20C	6				
8	BEARING	PUR-CHASE	4		#22217		
7	KEY PLATE	SS41	2		JD-φ550-K		
6	BUSH	S45CN	6		JD-φ550-BU		
5	BEARING COVER	SS41 OR FC20	4		JD-φ550-BC		
4	COLLAR	FCD40	2		JD-φ550-C		
3	SHAFT	S45CN	2		JD-φ550-S		
2	WHEEL GEAR	SC49	2		JD-φ550-GR		
1	DRIVING WHEEL	SSWQ1R	2		JD-φ550-D		
	ASS'Y OF DRIVING WHEEL	-	2				
NO	DESCRIPTIONS	MT'L	SET QTY	SET QTY	UNIT WEIGHT KG	TOTAL WEIGHT KG	REMARKS
DATE : 2014. 02		SCALE : N/S		DRAWING No. : JD-SSWQ-550-D			
DRAWN BY J. H. GWAK		DESIGNED BY J,H,GWAK		CHECKED BY		APPROVED BY D,J,SIN	
PROJECT TITLE TRAVELLING DRIVING DRAWING				DRAWING TITLE φ550			



JINDO HOIST CRANE.CO.LTD



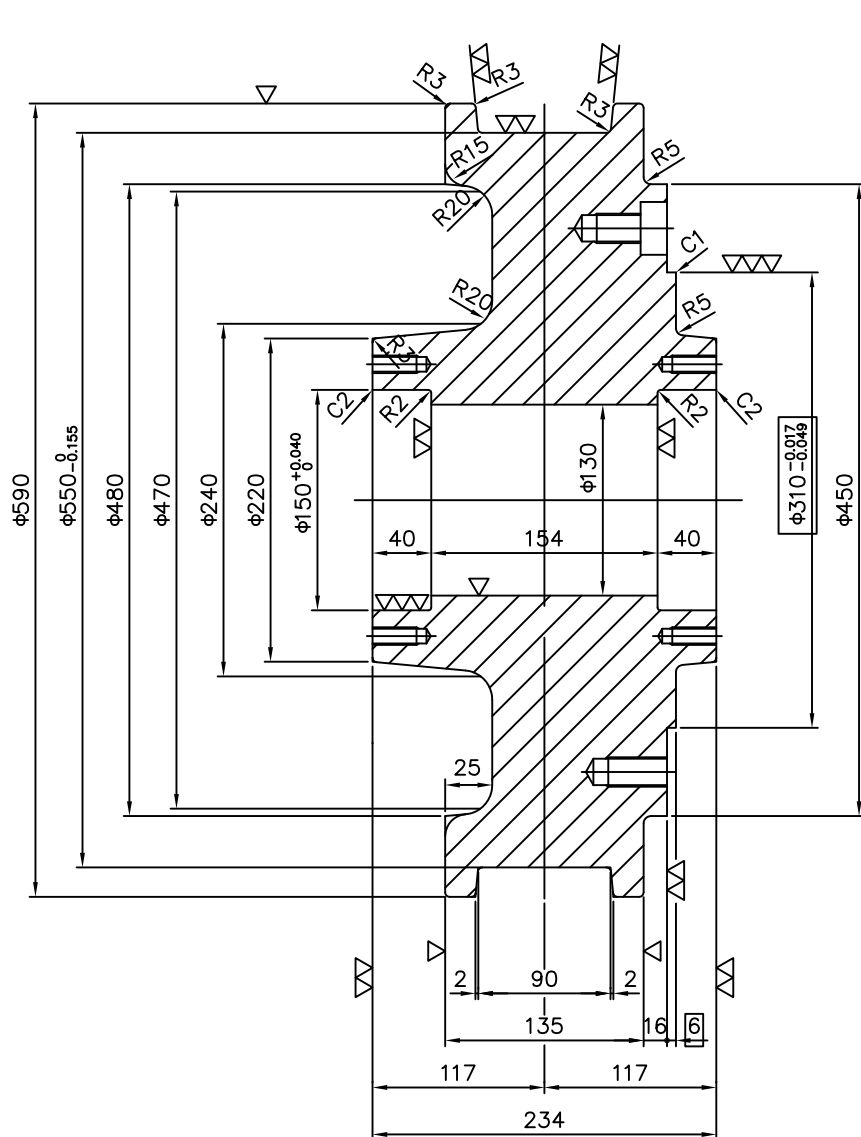
9	BOLT,SW	4T	24			M12x35 ^L x25 ^S	
8	BOLT,SW	4T	8			M16x35 ^L x25 ^S	
7	BOLT,SW	4T	4			M20x35 ^L x25 ^S	
6	BEARING	PUR-CHASE	4			#22217	
5	KEY PLATE	SS41	2			JD-WQ550-K	
4	BEARING COVER	SS41 OR FC20	4			JD-WQ550-BC	
3	COLLAR	FCD40	2			JD-WQ550-C	
2	SHAFT	S45CN	2			JD-WQ550-S	
1	FOLLOWING WHEEL	SSWQ1R	2			JD-WQ550-F1	
	ASS'Y OF FOLLOWING WHEEL	-	2				
NO	DESCRIPTIONS	MT'L	SET QTY	SET	UNIT WEIGHT KG	TOTAL	REMARKS
DATE : 2014. 02		SCALE : N/S		DRAWING No. : JD-SSWQ-550-F			
DRAWN BY J. H. GWAK		DESIGNED BY J,H,GWAK		CHECKED BY		APPROVED BY D,J,SIN	
PROJECT TITLE TRAVELLING FOLLOWING DRAWING				DRAWING TITLE ø550			



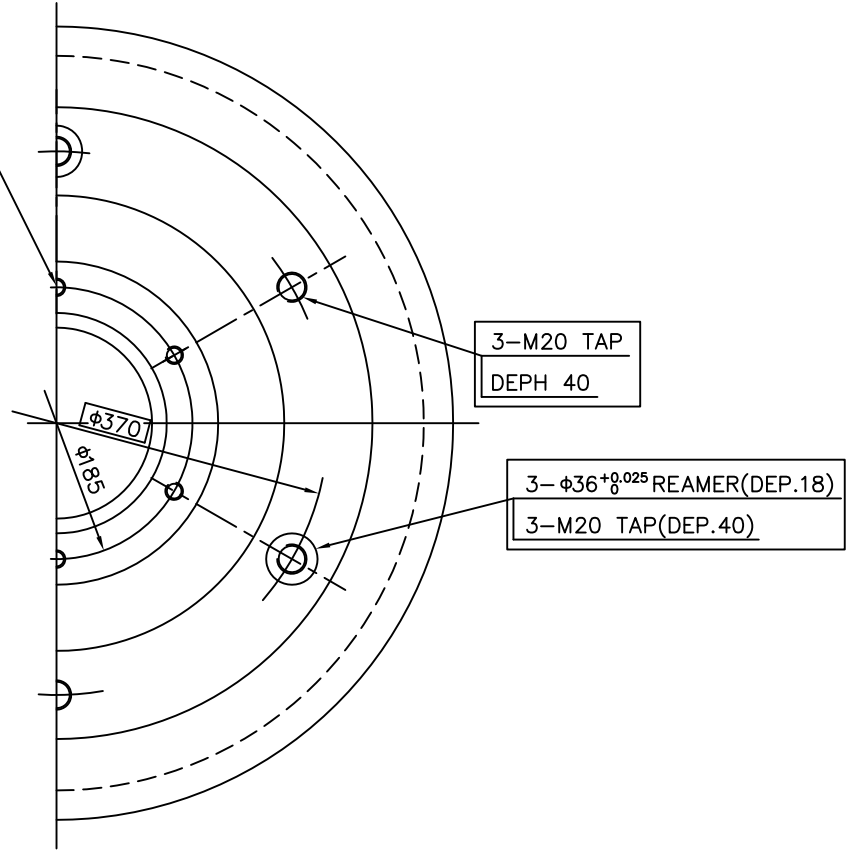
JINDO HOIST CRANE.CO.LTD

(, ,)

3.5






2x6-M12 TAP
DEPTH 30

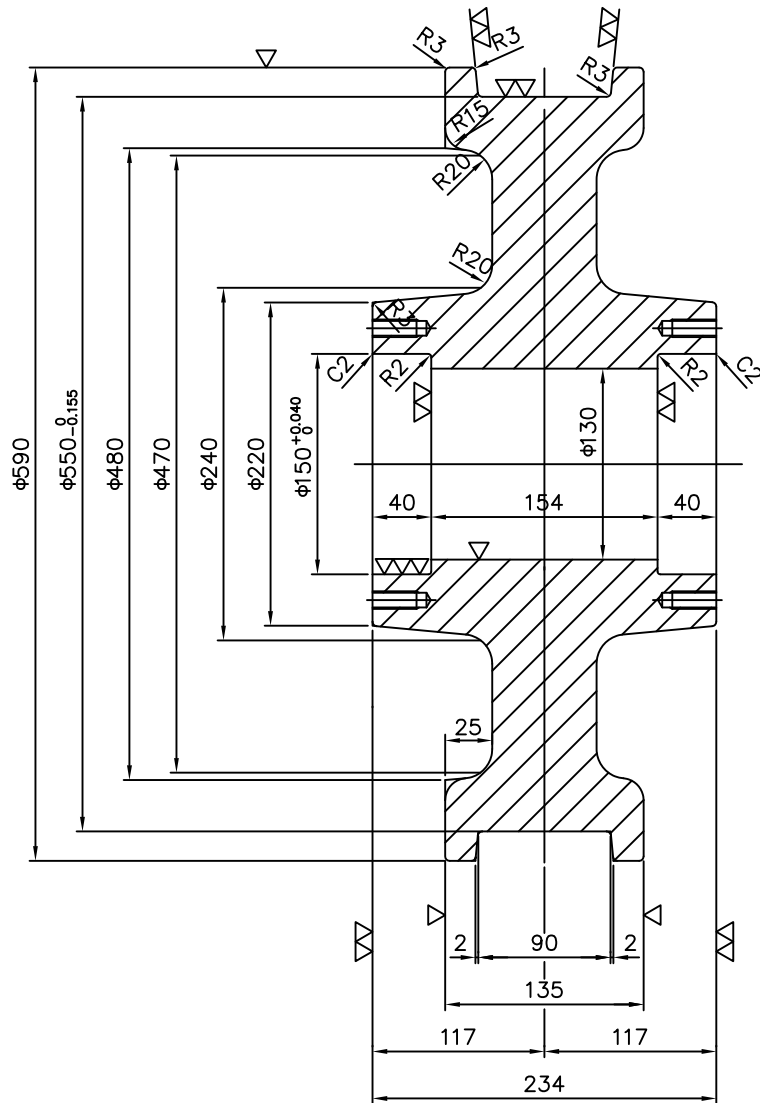


1	DRIVING WHEEL	SSWQ1R	2	-	-		
NO	DESCRIPTIONS	MT'L	SET QTY	SET	UNIT	TOTAL WEIGHT KG	REMARKS
DATE : 2014. 02		SCALE : N/S		DRAWING No. : JD-SSWQ-550-D1			
DRAWN BY J. H. GWAK		DESIGNED BY J,H,GWAK		CHECKED BY		APPROVED BY D,J,SIN	
PROJECT TITLE TRAVELLING DRIVING DRAWING				DRAWING TITLE $\phi 550$			

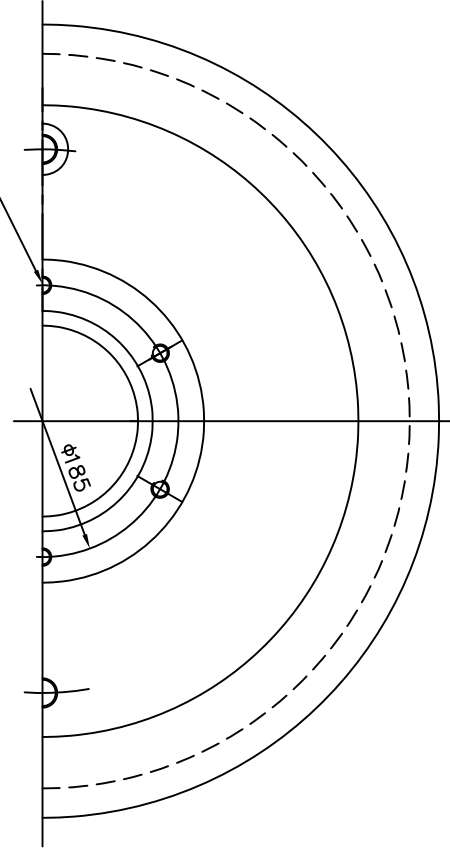


JINDO HOIST CRANE.CO.LTD

(, , , )





2x6-M12 TAP
DEPTH 30

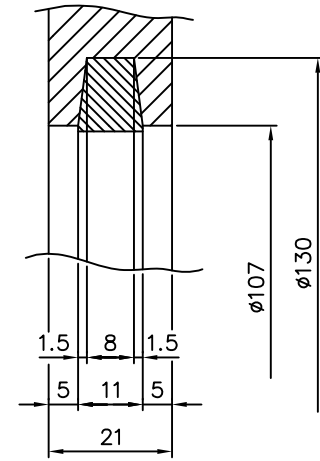
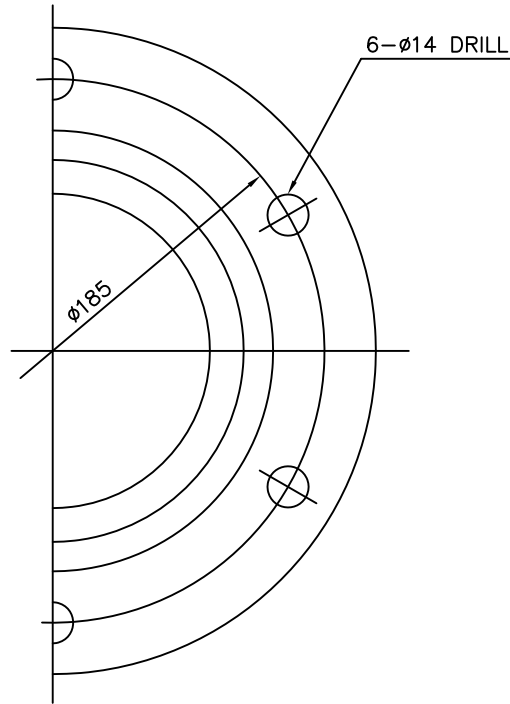
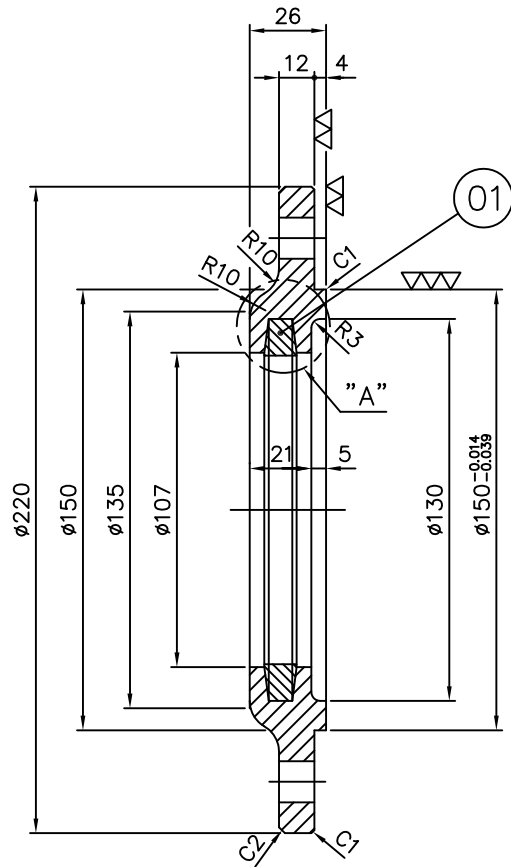


1	FOLLOWING WHEEL	SSWQ1R	2	-	-		
NO	DESCRIPTIONS	MT'L	SET QTY	SET	UNIT	TOTAL WEIGHT KG	REMARKS
DATE : 2014. 02		SCALE : N/S	DRAWING No. : JD-SSWQ-550-F1				
DRAWN BY J. H. GWAK		DESIGNED BY J,H,GWAK	CHECKED BY		APPROVED BY D,J,SIN		
PROJECT TITLE TRAVELLING FOLLOWING DRAWING			DRAWING TITLE φ550				



JINDO HOIST CRANE.CO.LTD

( , )

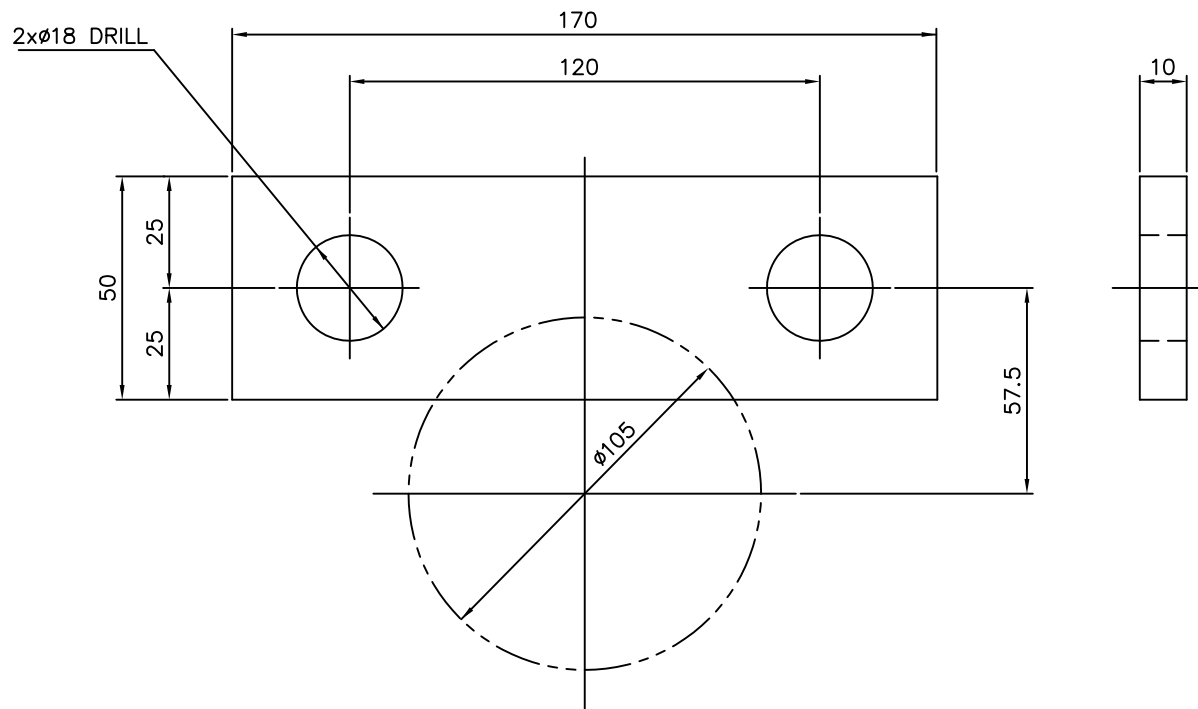


DETAIL "A"

	01	FELT PACKING	PUR-CHASE		8			9.5txø105xø130
1		BEARING COVER	SS41 OR FC20		8	8.5	68	28txø225
NO	DESCRIPTIONS		MT'L	SET QTY	SET	UNIT	TOTAL WEIGHT KG	REMARKS
DATE : 2014. 02		SCALE : N/S		DRAWING No. : JD-SSWQ-550-BC				
DRAWN BY J. H. GWAK		DESIGNED BY J,H,GWAK		CHECKED BY		APPROVED BY D,J,SIN		
PROJECT TITLE TRAVELLING BEARING COVER DRAWING				DRAWING TITLE ø550				



JINDO HOIST CRANE.CO.LTD

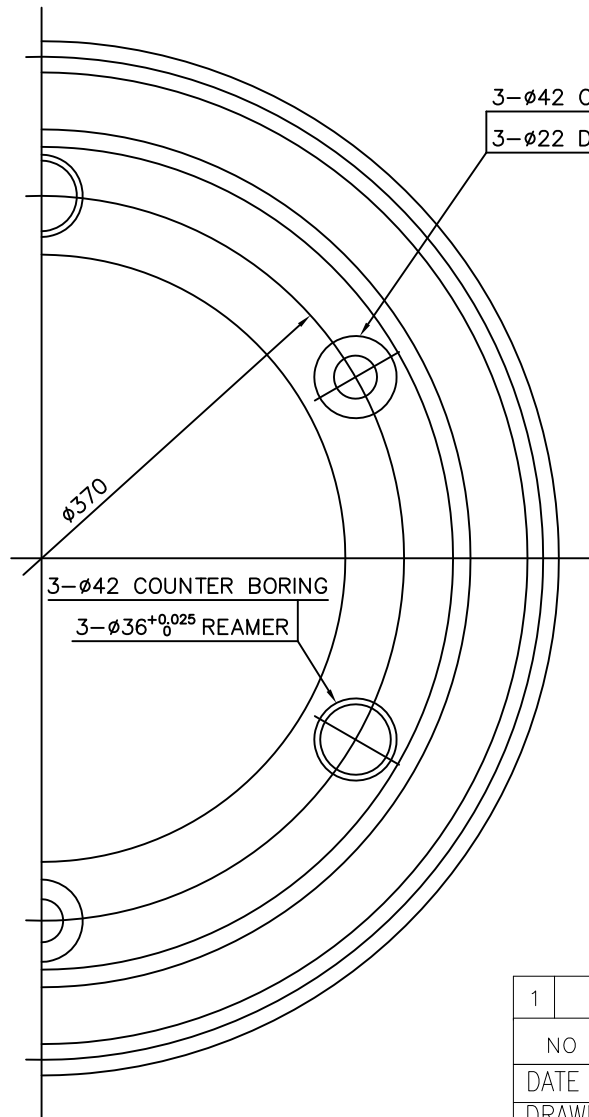
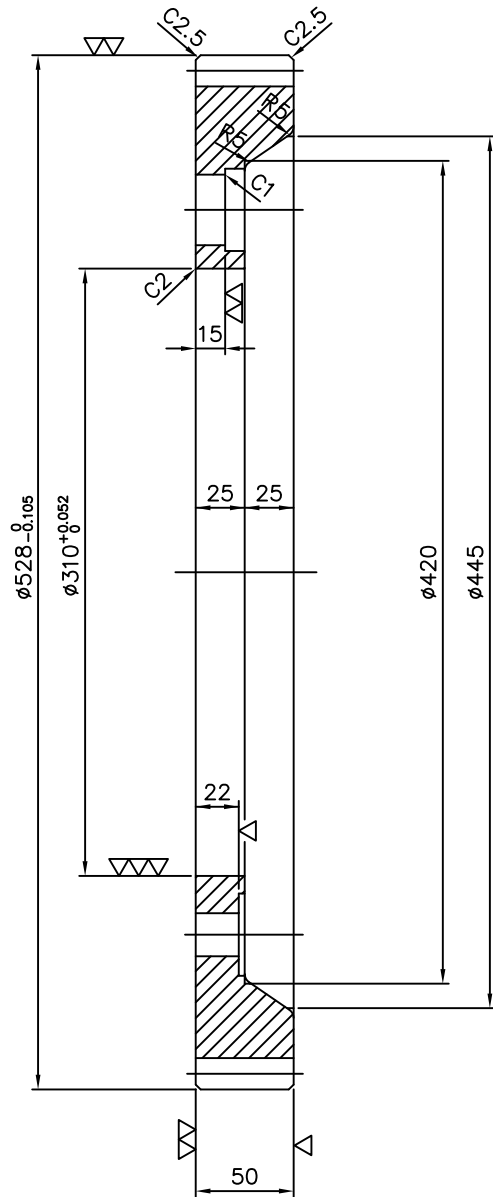


1	KEY PLATE	SS41	4	0.7	2.8		
NO	DESCRIPTIONS	MT'L	SET	SET	UNIT	TOTAL	REMARKS
			QTY		WEIGHT KG		
DATE : 2014. 02		SCALE : N/S		DRAWING No. : JD-SSWQ-550-K			
DRAWN BY J. H. GWAK		DESIGNED BY J,H,GWAK		CHECKED BY		APPROVED BY D,J,SIN	
PROJECT TITLE TRAVELLING KEY PLATE DRAWING				DRAWING TITLE $\phi 550$			



JINDO HOIST CRANE.CO.LTD

(▽, ▽, ▹)

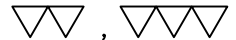


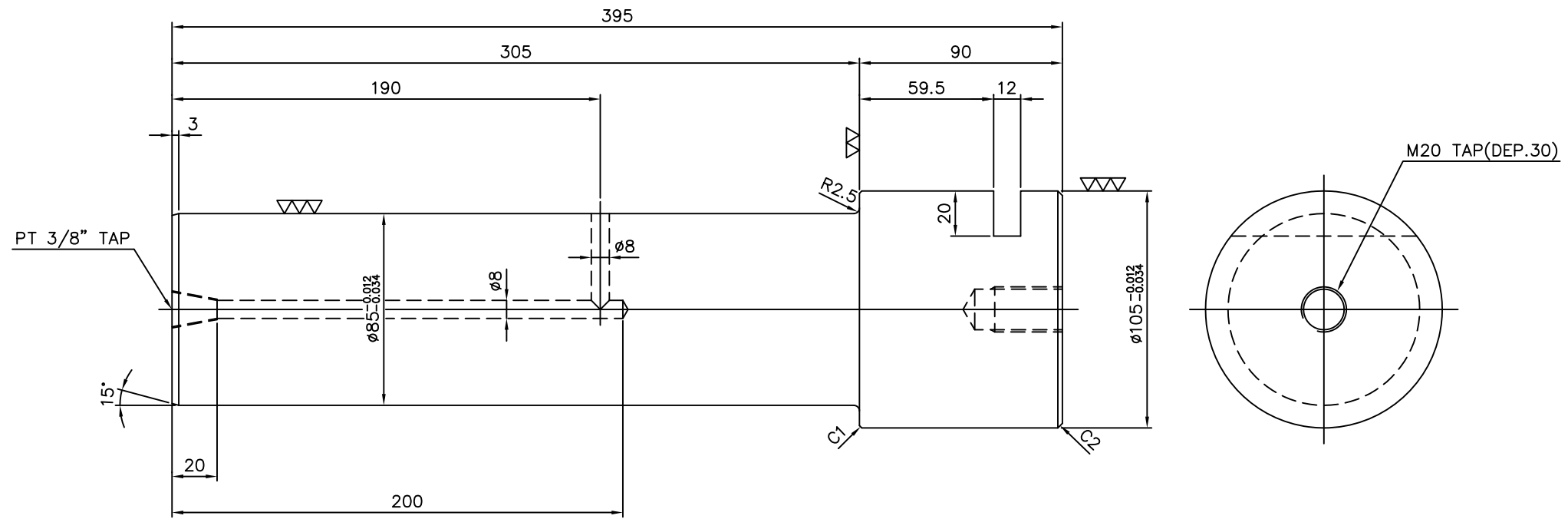
GEAR SPECIFICATION		
MODULE	6	8
PRESSURE ANGLE	20°	
NO.OF TEETH	86 ^T	64 ^T
D.O.G.N OF TEETH	10 ^T)175.50- ± 0.18	8 ^T)184.30- ± 0.55
P.C.D	$\phi 516$	$\phi 512$
적용륜	$\phi 500$	$\phi 500S$

NO	DESCRIPTIONS	MT'L	SET QTY	SET QTY	UNIT	TOTAL WEIGHT KG	REMARKS
1	WHEEL GEAR	SC49	2	56.5	113		
DATE : 2014. 02		SCALE : N/S		DRAWING No. : JD-SSWQ-550-WG			
DRAWN BY J. H. GWAK		DESIGNED BY J,H,GWAK		CHECKED BY		APPROVED BY D,J,SIN	
PROJECT TITLE TRAVELLING WHEEL GEAR DRAWING				DRAWING TITLE $\phi 550$			

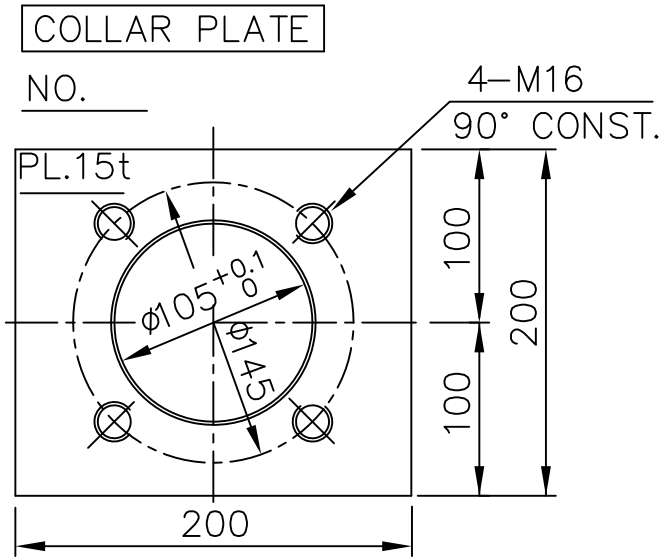
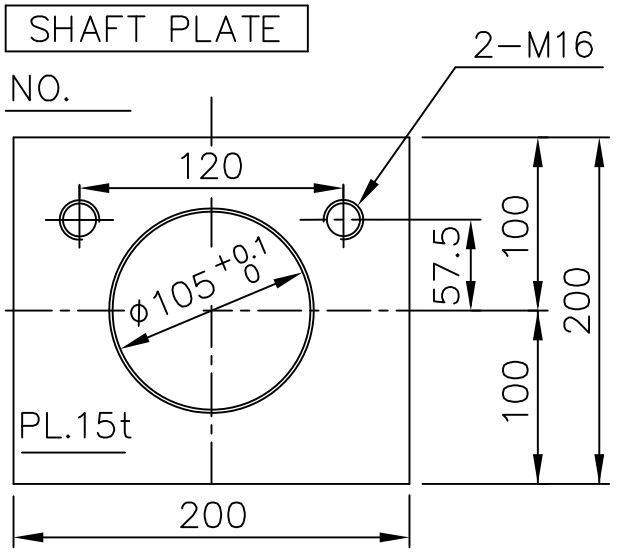
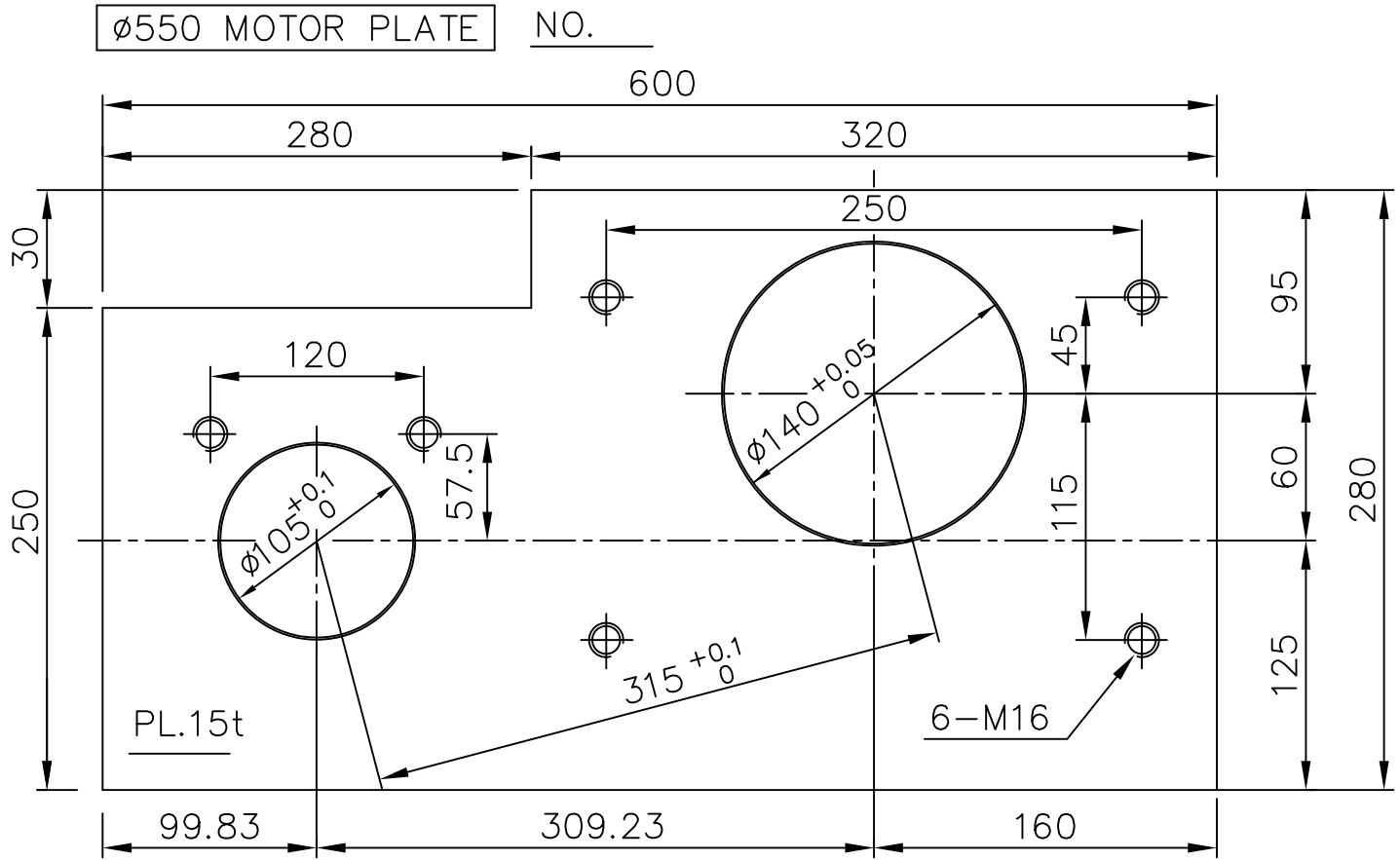


JINDO HOIST CRANE.CO.LTD

()




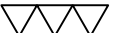
1	SHAFT	S45CN	4	30	120	ø110x400L	
NO	DESCRIPTIONS	MT'L	SET QTY	SET	UNIT WEIGHT KG	TOTAL WEIGHT KG	REMARKS
DATE : 2014. 02		SCALE : N/S		DRAWING No. : JD-SSWQ-550-S			
DRAWN BY J. H. GWAK		DESIGNED BY J,H,GWAK		CHECKED BY		APPROVED BY D,J,SIN	
PROJECT TITLE TRAVELLING SHAFT DRAWING				DRAWING TITLE ø550			

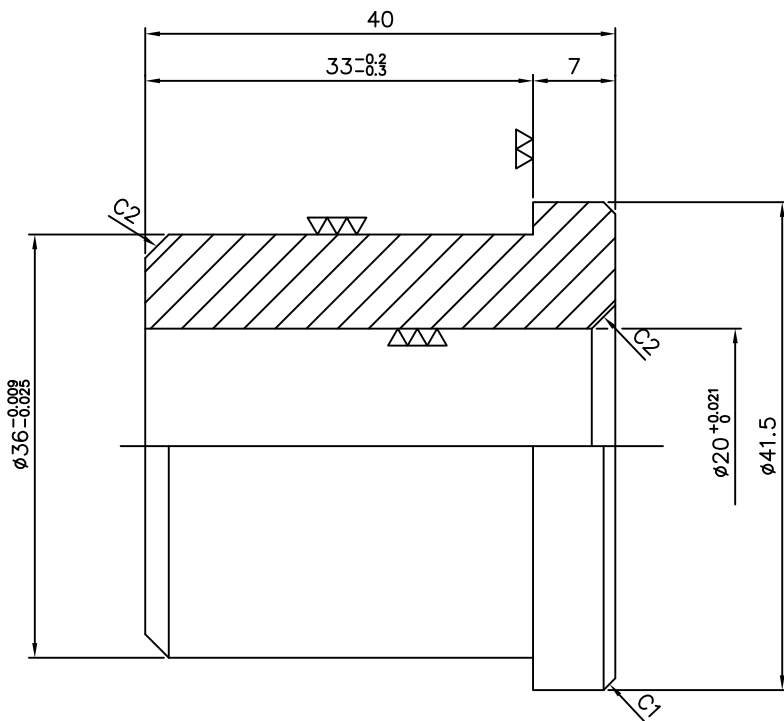


NOTE

- PINION : M6x 19T(OD126)
& GEAR : M6x 86T(OD528)

NO	DESCRIPTIONS	MT'L	SET	SET	UNIT	TOTAL	REMARKS
			QTY	QTY		WEIGHT KG	
91	PL 15x200x200	SS41	4			14.76	
90	PL 15x200x200	SS41	2			7.38	
89	PL 15x280x600	SS41	2			33.9	
DATE : 2014. 02		SCALE : N/S		DRAWING No. : JD-SSWQ-550-P			
DRAWN BY J. H. GWAK		DESIGNED BY J,H,GWAK		CHECKED BY		APPROVED BY D,J,SIN	
PROJECT TITLE TRAVELLING PLAEET DRAWING				DRAWING TITLE ø550			

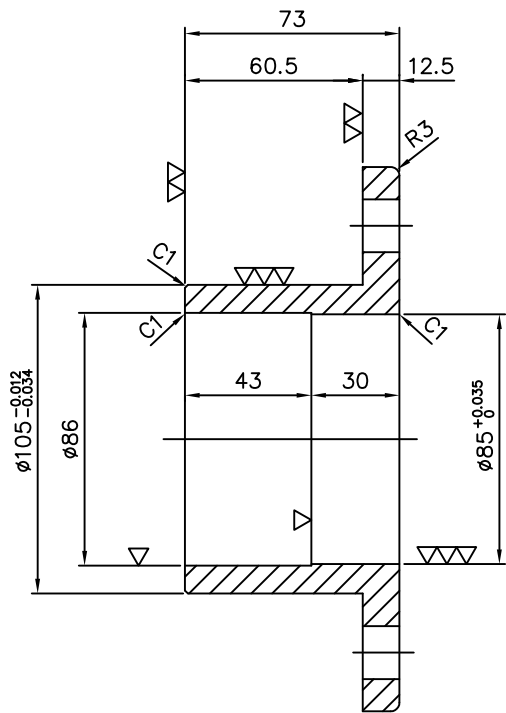
( , )

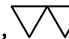
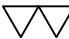


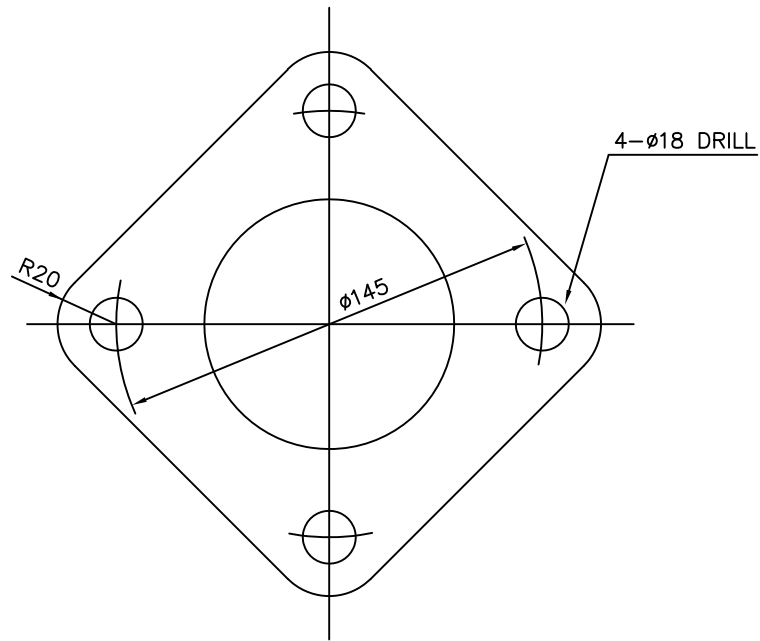
1	BUSH	S45CN	6	0.6	3.6	$\phi 45 \times 45L$	
NO	DESCRIPTIONS	MT'L	SET	SET	UNIT	TOTAL	REMARKS
			QTY		WEIGHT KG		
DATE : 2014. 02		SCALE : N/S		DRAWING No. : JD-SSWQ-550-BU			
DRAWN BY J. H. GWAK		DESIGNED BY J,H,GWAK		CHECKED BY		APPROVED BY D,J,SIN	
PROJECT TITLE TRAVELLING BUSH DRAWING				DRAWING TITLE $\phi 550$			



JINDO HOIST CRANE.CO.LTD



(,  , )



1	COLLAR	FCD40	4	4.5	18		
NO	DESCRIPTIONS	MT'L	SET QTY	SET	UNIT WEIGHT KG	TOTAL	REMARKS
DATE : 2014. 02		SCALE : N/S		DRAWING No. : JD-SSWQ-550-C			
DRAWN BY J. H. GWAK		DESIGNED BY J,H,GWAK		CHECKED BY		APPROVED BY D,J,SIN	
PROJECT TITLE TRAVELLING COLLAR DRAWING				DRAWING TITLE ø550			



JINDO HOIST CRANE.CO.LTD