

DATE	M'K	REVISIONS	DWN	APPR	REMARKS

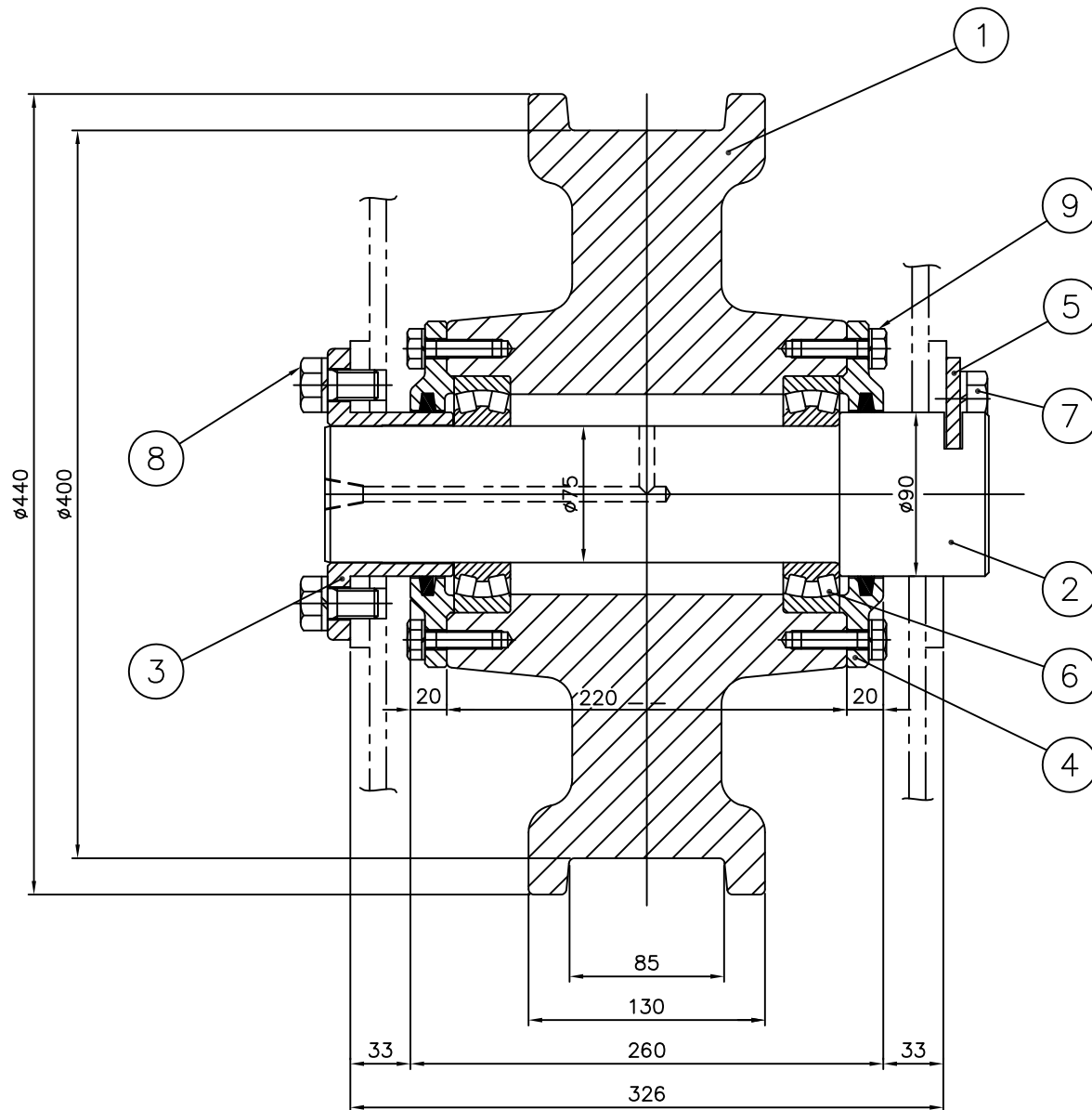
13	BOLT,SW	4T	24		M10x35 ^L x25 ^S
12	BOLT,SW	4T	8		M16x35 ^L x25 ^S
11	BOLT,SW	4T	4		M20x30 ^L x25 ^S
10	S/W		6		
9	HIGHTENSION BOLT A		6		
8	BEARING	PUR-CHASE	4		#22215
7	KEY PLATE	SS41	2		JD-φ400-K
6	BUSH	S45CN	6		JD-φ400-BU
5	BEARING COVER	SS41 OR FC20	4		JD-φ400-BC
4	COLLAR	FCD40	2		JD-φ400-C
3	SHAFT	S45CN	2		JD-φ400-S
2	WHEEL GEAR	SC49	2		JD-φ400-GR
1	DRIVING WHEEL	SSWQ1R	2		JD-φ400-D
	ASS'Y OF DRIVING WHEEL	-	2		

NO	DESCRIPTIONS	MT'L	SET QTY	SET QTY	UNIT WEIGHT KG	TOTAL WEIGHT KG	REMARKS
DATE : 2014. 02		SCALE : N/S		DRAWING No. : JD-SSWQ-400-D			
DRAWN BY J. H. GWAK		DESIGNED BY J,H,GWAK		CHECKED BY		APPROVED BY D,J,SIN	
PROJECT TITLE TRAVELLING DRIVING DRAWING				DRAWING TITLE φ400			



JINDO HOIST CRANE.CO.LTD

DATE	M'K	REVISIONS	DWN	APPR	REMARKS



9	BOLT,SW	4 T	24		M10x35 ^L x25 ^S
8	BOLT,SW	4 T	8		M16x35 ^L x25 ^S
7	BOLT,SW	4 T	4		M20x30 ^L x25 ^S
6	BEARING	PUR-CHASE	4		#22215
5	KEY PLATE	SS41	2		JD-φ400-K
4	BEARING COVER	SS41 OR FC20	4		JD-φ400-BC
3	COLLAR	FCD40	2		JD-φ400-C
2	SHAFT	S45CN	2		JD-φ400-S
1	FOLLOWING WHEEL	SSWQ1R	2		JD-φ400-F
	ASS'Y OF FOLLOWING WHEEL	-	2		

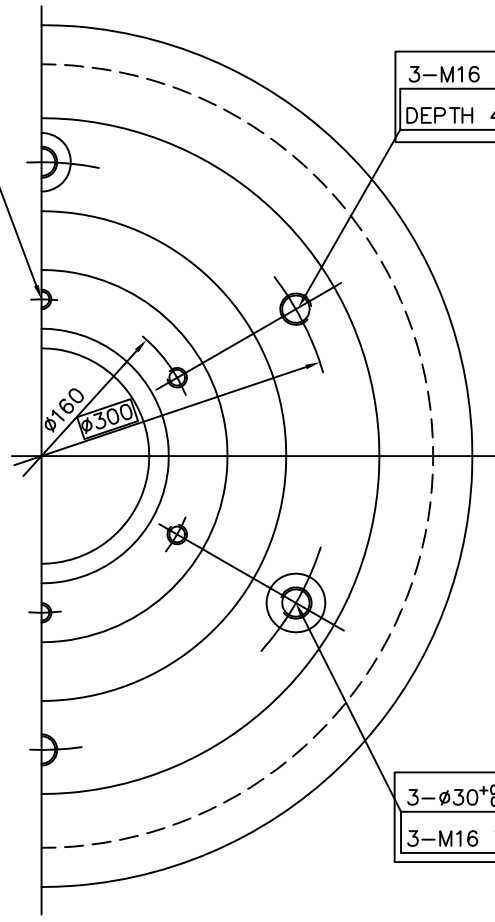
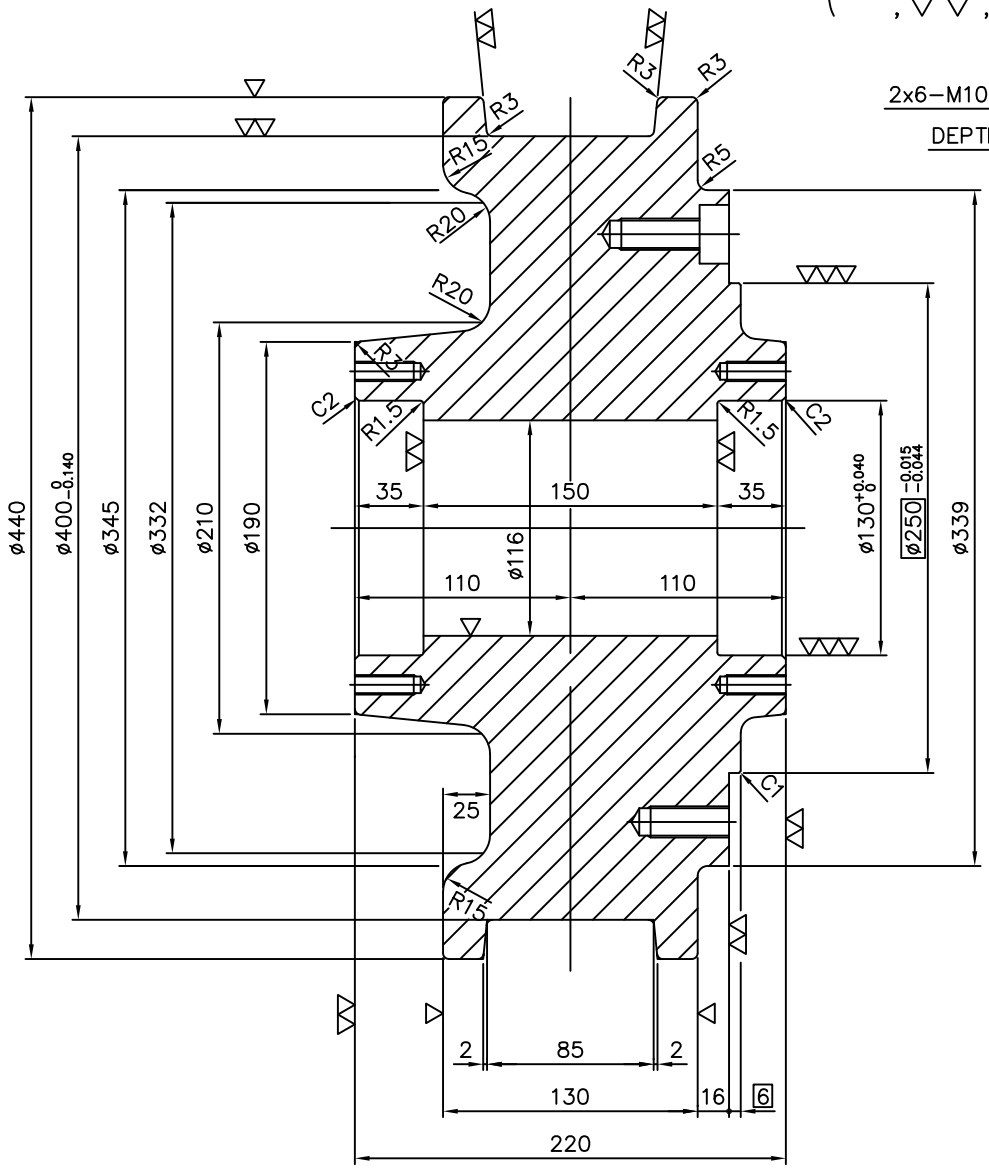
NO	DESCRIPTIONS	MT'L	SET QTY	SET	UNIT	TOTAL WEIGHT KG	REMARKS
DATE : 2014. 02		SCALE : N/S		DRAWING No. : JD-SSWQ-400-F			
DRAWN BY J. H. GWAK		DESIGNED BY J,H,GWAK		CHECKED BY		APPROVED BY D,J,SIN	
PROJECT TITLE TRAVELLING FOLLOWING DRAWING				DRAWING TITLE φ400			



JINDO HOIST CRANE.CO.LTD

DATE	M'K	REVISIONS	DWN	APPR	REMARKS

(, ∇∇ , ∇∇∇)




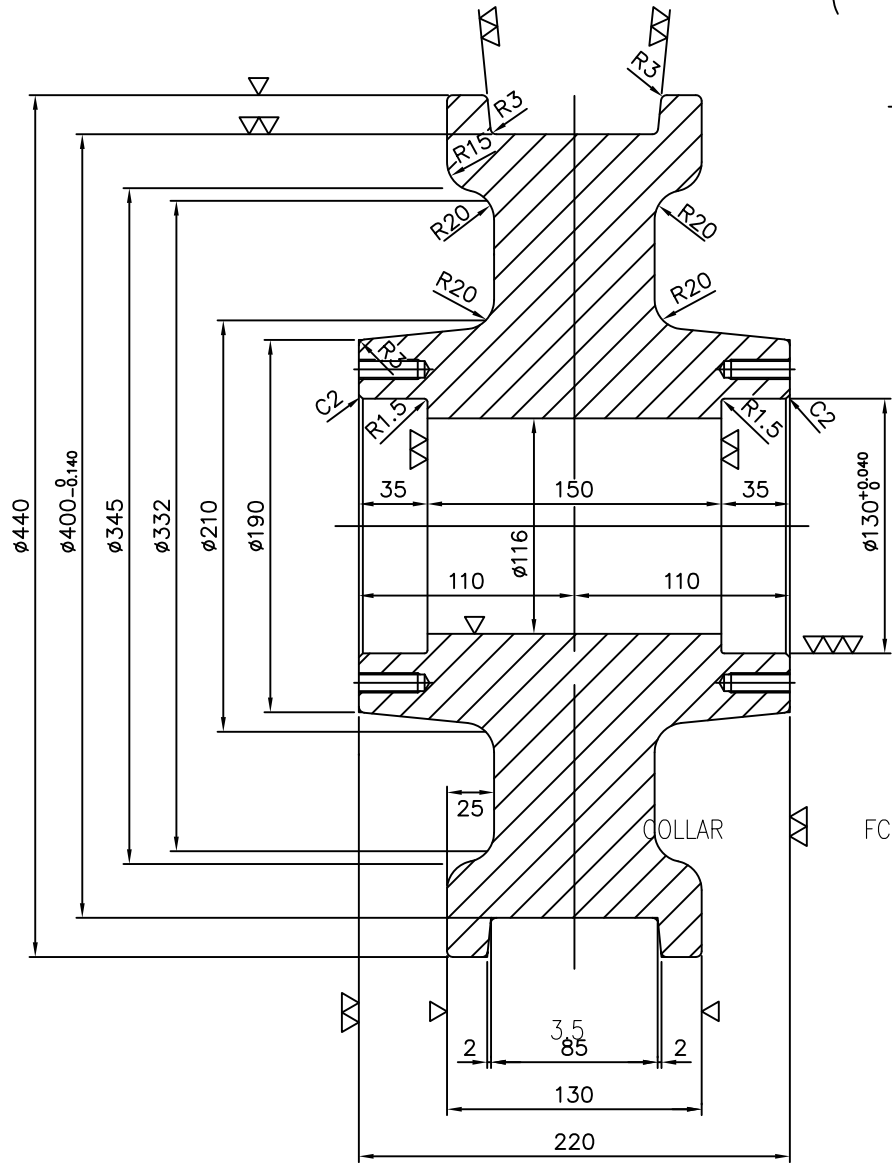
NO	DESCRIPTIONS	MT'L	SET QTY	SET	UNIT	TOTAL WEIGHT KG	REMARKS
1	DRIVING WHEEL	SSWQ1R		2			
DATE : 2014. 02		SCALE : N/S		DRAWING No. : JD-SSWQ-400-D1			
DRAWN BY J. H. GWAK		DESIGNED BY J,H,GWAK		CHECKED BY		APPROVED BY D,J,SIN	
PROJECT TITLE TRAVELLING DRIVING DRAWING				DRAWING TITLE $\phi 400$			



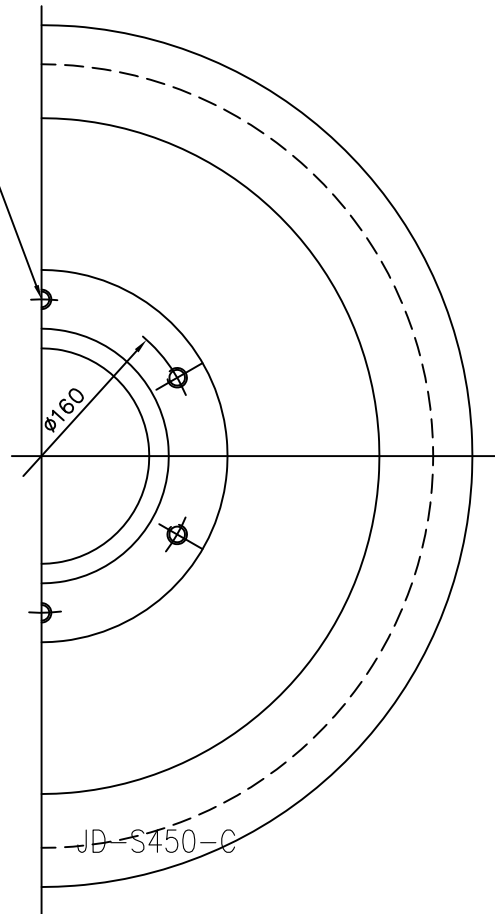
JINDO HOIST CRANE.CO.LTD

DATE	M'K	REVISIONS	DWN	APPR	REMARKS

(,  , )



2x6-M10 TAP
DEPTH 30

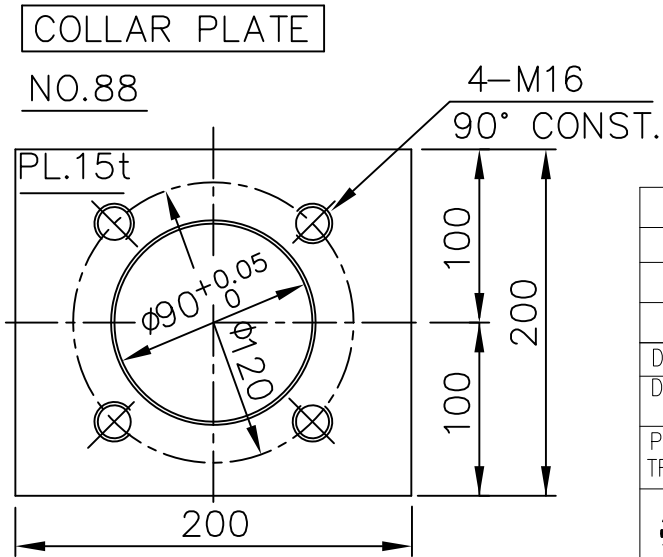
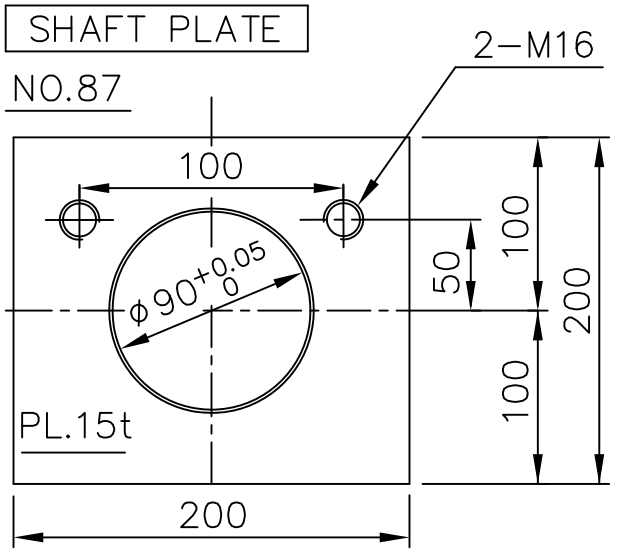
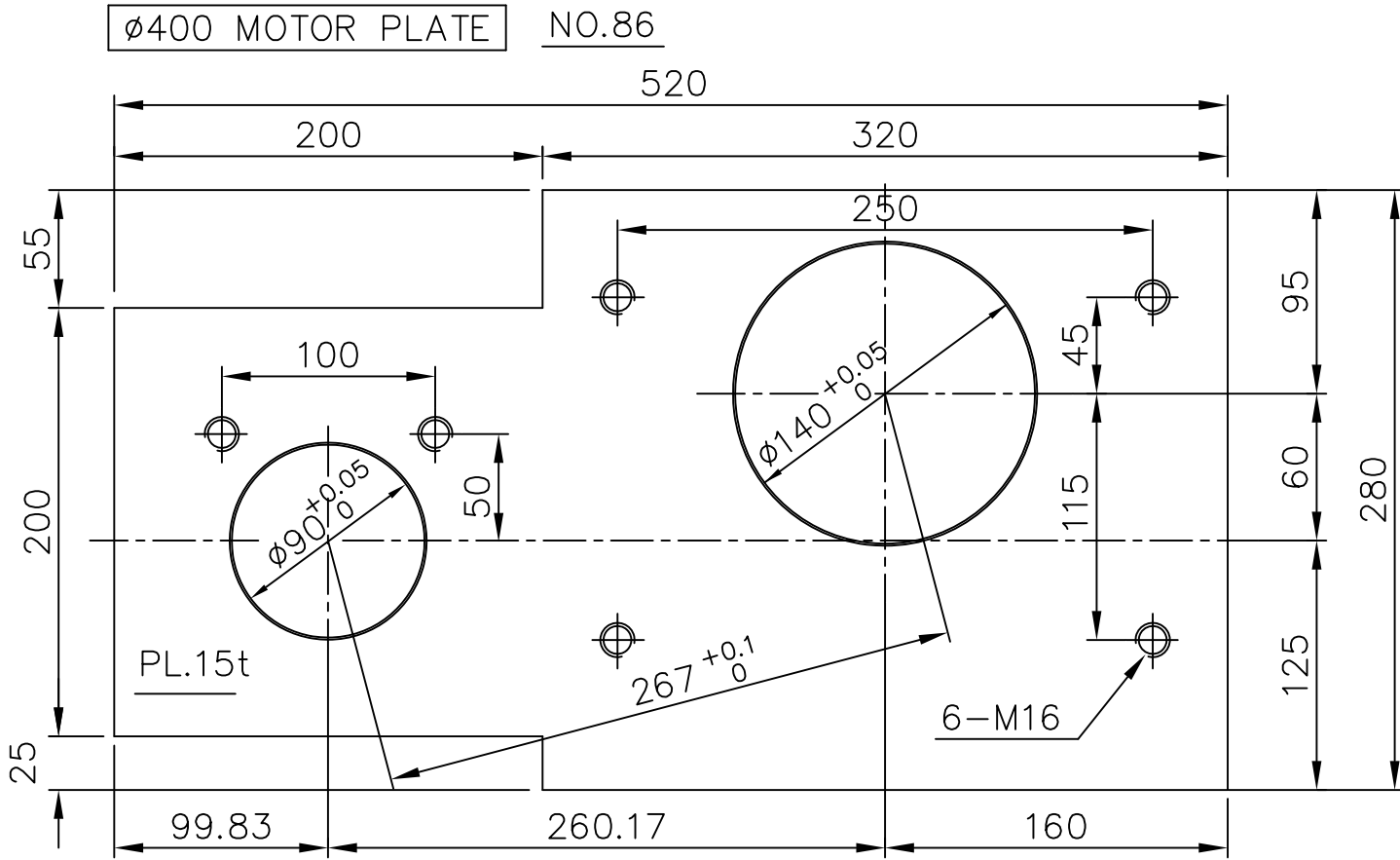


FCD40 4

NO	DESCRIPTIONS	MT'L	SET		UNIT	TOTAL WEIGHT KG	REMARKS
			QTY	QTY			
1	FOLLOWING WHEEL	SSWQ1R	2				

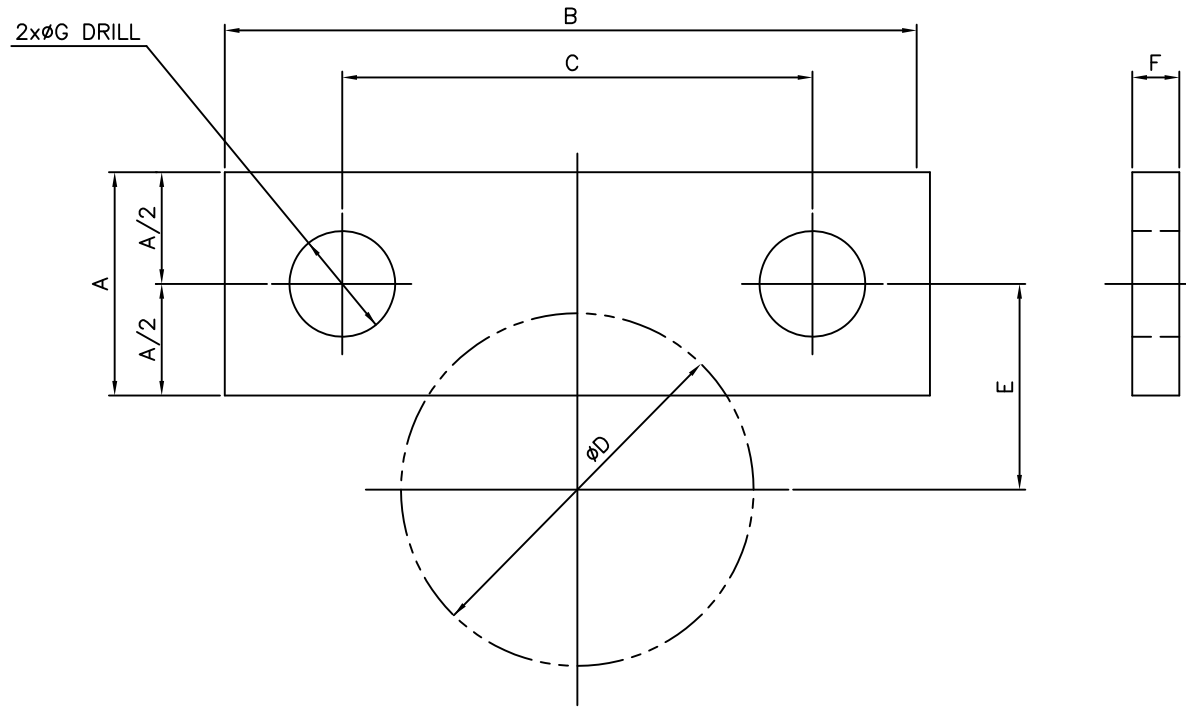
DATE : 2014. 02 SCALE : N/S DRAWING No. : JD-SSWQ-400-F1
 DRAWN BY J. H. GWAK DESIGNED BY J,H,GWAK CHECKED BY APPROVED BY D,J,SIN
 PROJECT TITLE TRAVELLING FOLLOWING DRAWING DRAWING TITLE ø400

DATE	M/K	REVISIONS	DWN	APPR	REMARKS



NO	DESCRIPTIONS	M'T'L	SET QTY	SET	UNIT	TOTAL WEIGHT KG	REMARKS
88	R 15x200x200	SS41	4			15.84	
87	R 15x200x200	SS41	2			7.92	
86	R 15x280x520	SS41	2			25.4	
DATE : 2014. 02		SCALE : N/S		DRAWING No. : JD-SSWQ-400-P			
DRAWN BY J. H. GWAK		DESIGNED BY J,H,GWAK		CHECKED BY		APPROVED BY D,J,SIN	
PROJECT TITLE TRAVELLING PLAET DRAWING				DRAWING TITLE $\phi 400$			

DATE	M'K	REVISIONS	DWN	APPR	REMARKS



WHEEL \ NOTATION	A	B	C	D	E	F	G	WEIGHT KG/EA
ø160	38	120	80	60	35	8	14	0.3
ø200	38	120	80	70	40	8	14	0.3
ø250	38	120	80	75	42.5	8	14	0.3
ø315	50	150	100	80	45	8	14	0.5
ø315S	38	120	80	60	35	8	18	0.3
ø400	50	150	100	90	50	8	18	0.5
ø400S	50	150	100	80	45	8	22	0.5
ø500	50	170	120	105	57.5	10	18	0.7
ø500S	50	150	100	90	50	8	22	0.5
ø630	50	170	120	120	65	10	18	0.7
ø630S	50	170	120	100	55	10	22	0.7
ø710	55	210	150	130	67.5	12	18	1
ø710S	50	170	120	110	60	10	22	0.7
ø800	55	210	150	135	72.5	12	24	1
ø800S	55	210	150	125	67.5	12	24	1

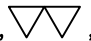
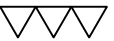


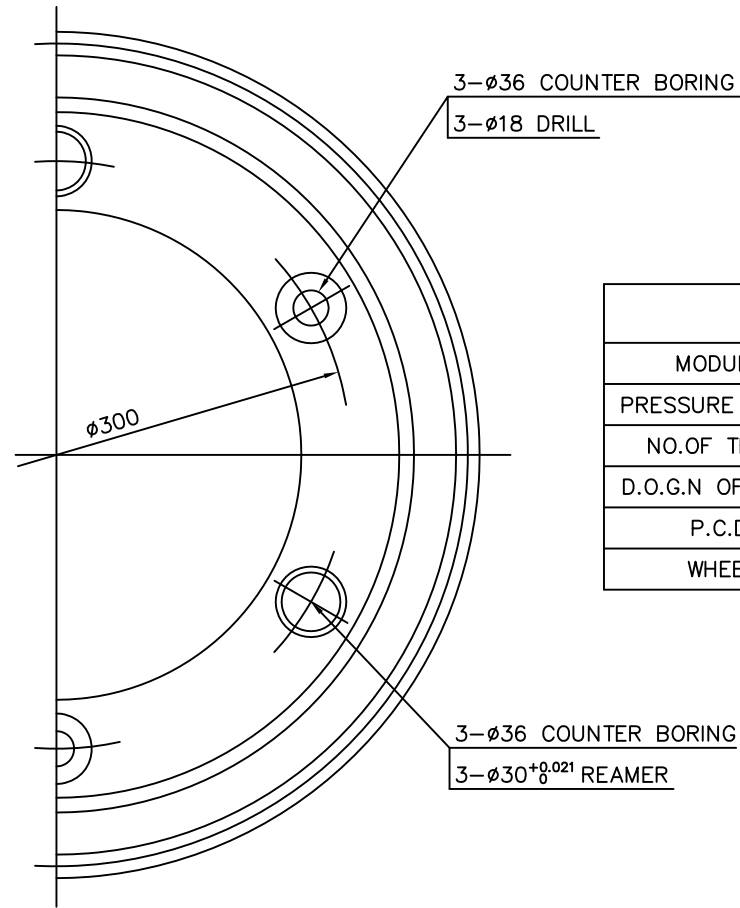
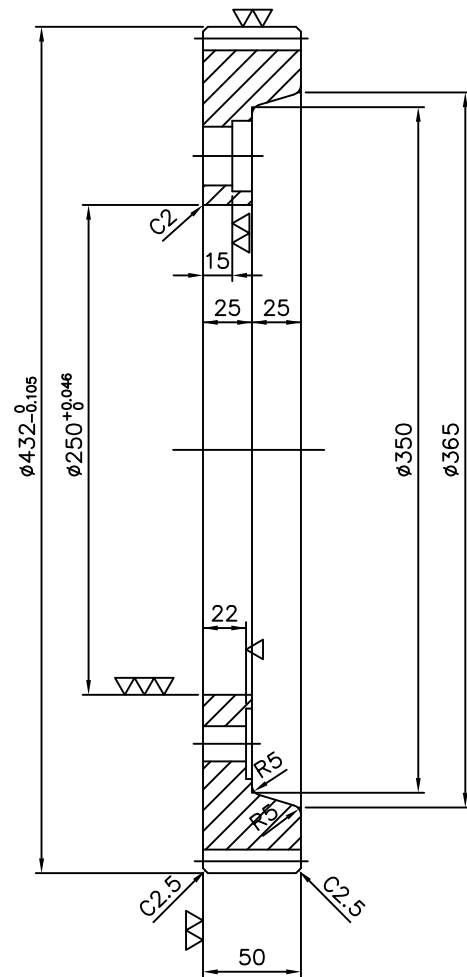
1	KEY PLATE	SS41	4				
NO	DESCRIPTIONS	MT'L	SET QTY	SET	UNIT	TOTAL WEIGHT KG	REMARKS
DATE : 2014. 02	SCALE : N/S	DRAWING No. : JD-SSWQ-400-K					
DRAWN BY J. H. GWAK	DESIGNED BY J,H,GWAK	CHECKED BY		APPROVED BY D,J,SIN			
PROJECT TITLE TRAVELLING KEY PLATE DRAWING				DRAWING TITLE ø400			



JINDO HOIST CRANE.CO.LTD

DATE	M'K	REVISIONS	DWN	APPR	REMARKS

(, , )



GEAR SPECIFICATION		
MODULE	6	8
PRESSURE ANGLE	20°	
NO.OF TEETH	70 ^T	52 ^T
D.O.G.N OF TEETH	8 ^T)138.72 ^{-0.14}	6 ^T)135.72 ^{-0.14}
P.C.D	φ420	φ416
WHEEL	φ400	φ400S

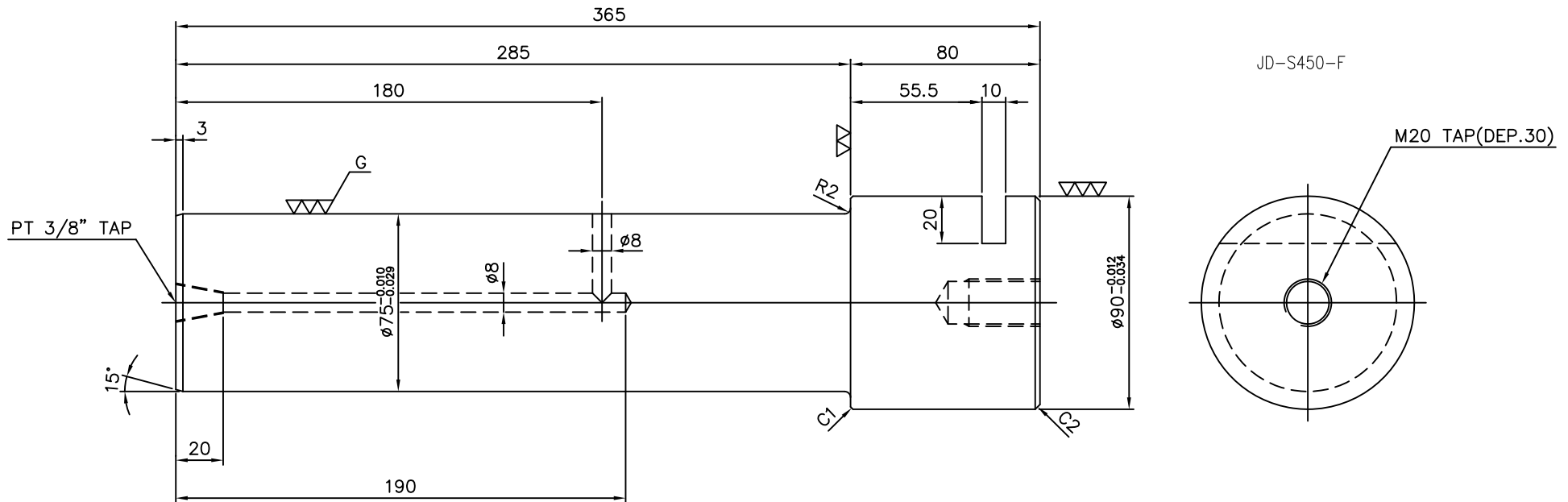
NO	DESCRIPTIONS	MT'L	SET QTY	SET	UNIT	TOTAL WEIGHT KG	REMARKS
1	WHEEL GEAR	SC49	2			78	
DATE : 2014. 02		SCALE : N/S		DRAWING No. : JD-SSWQ-400-WG			
DRAWN BY J. H. GWAK		DESIGNED BY J,H,GWAK		CHECKED BY		APPROVED BY D,J,SIN	
PROJECT TITLE TRAVELLING WHEEL GEAR DRAWING				DRAWING TITLE φ400			



JINDO HOIST CRANE.CO.LTD

DATE	M'K	REVISIONS	DWN	APPR	REMARKS

(▽▽ , ▽▽▽)



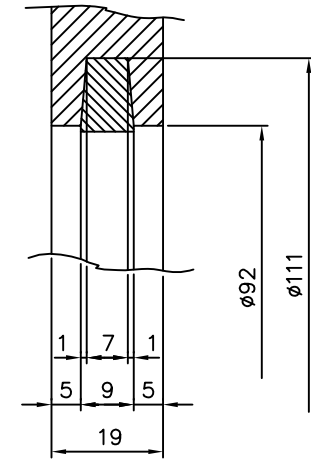
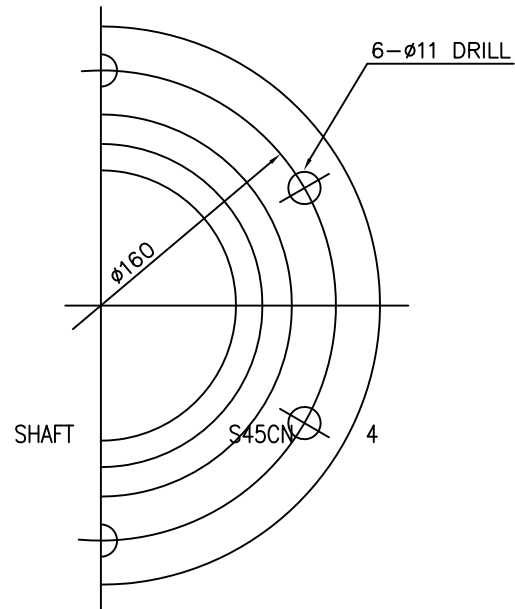
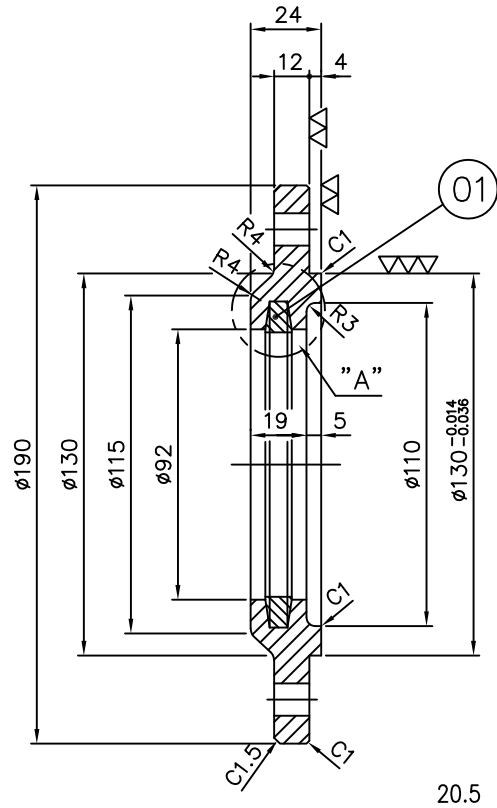
1	SHAFT	S45CN	4	82	φ95x370L		
NO	DESCRIPTIONS	MT'L	SET QTY	SET QTY	UNIT WEIGHT KG	TOTAL WEIGHT KG	REMARKS
DATE : 2014. 02		SCALE : N/S		DRAWING No. : JD-SSWQ-400-S			
DRAWN BY J. H. GWAK		DESIGNED BY J,H,GWAK		CHECKED BY		APPROVED BY D,J,SIN	
PROJECT TITLE TRAVELLING SHAFT DRAWING				DRAWING TITLE φ400			



JINDO HOIST CRANE.CO.LTD

DATE	M'K	REVISIONS	DWN	APPR	REMARKS

(∇∇ , ∇∇∇)



JD-S450-S


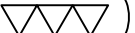
DETAIL "A"

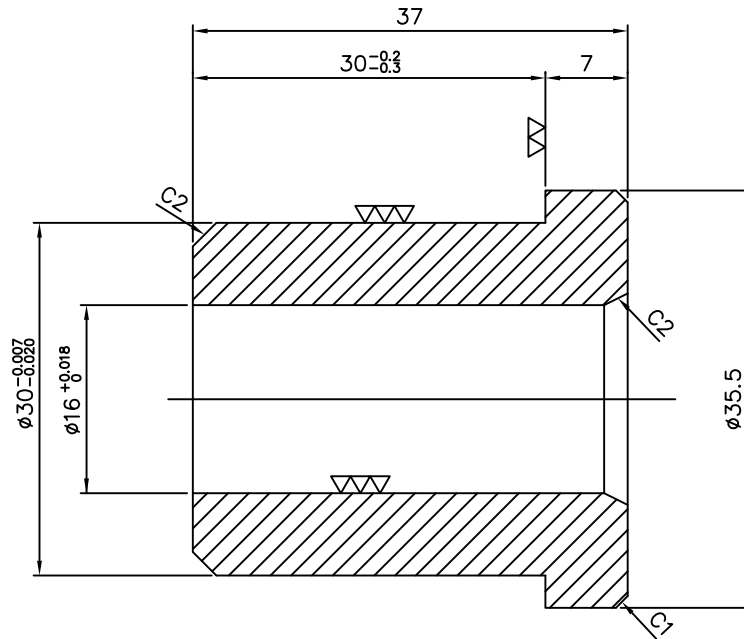
01	FELT PACKING	PUR-CHASE	8			8txø90xø111	
1	BEARING COVER	SS41 OR FC20	8	6.5	52	27txø195	
NO	DESCRIPTIONS	MT'L	SET QTY	SET	UNIT WEIGHT KG	TOTAL WEIGHT KG	REMARKS
DATE : 2014. 02		SCALE : N/S		DRAWING No. : JD-SSWQ-400-BC			
DRAWN BY J. H. GWAK		DESIGNED BY J,H,GWAK		CHECKED BY		APPROVED BY D,J,SIN	
PROJECT TITLE TRAVELLING BEARING COVER DRAWING				DRAWING TITLE ø400			



JINDO HOIST CRANE.CO.LTD

DATE	M'K	REVISIONS	DWN	APPR	REMARKS

( , )




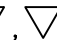
JD-S450-D

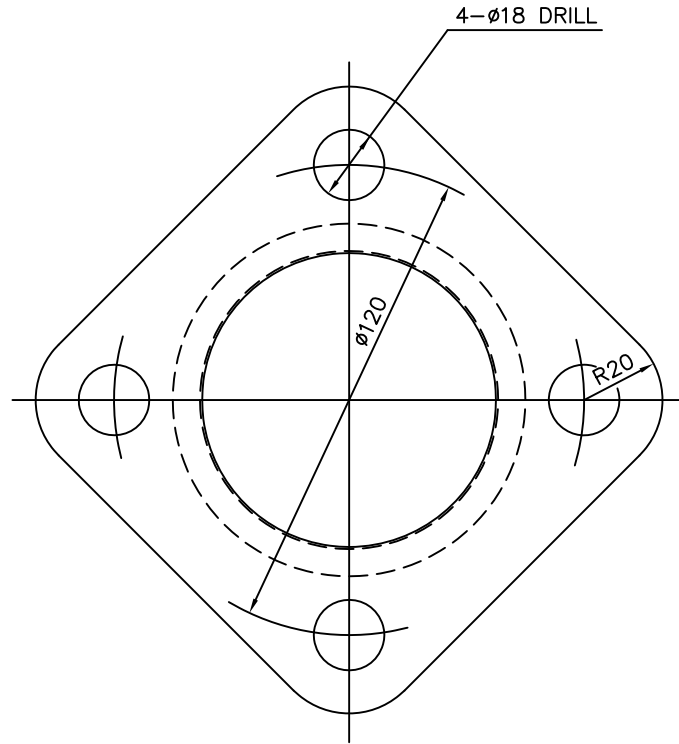
1	BUSH	S45CN	6	0.4	2.4	ø40x40L	
NO	DESCRIPTIONS	MT'L	SET	SET	UNIT	TOTAL	REMARKS
			QTY		WEIGHT	KG	
DATE : 2014. 02		SCALE : N/S		DRAWING No. : JD-SSWQ-400-BU			
DRAWN BY J. H. GWAK		DESIGNED BY J,H,GWAK		CHECKED BY		APPROVED BY D,J,SIN	
PROJECT TITLE TRAVELLING BUSH DRAWING				DRAWING TITLE ø400			



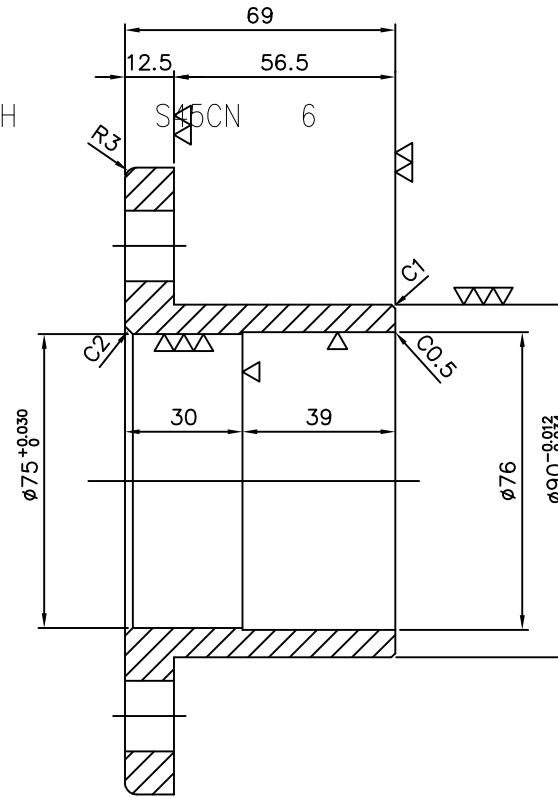
JINDO HOIST CRANE.CO.LTD

DATE	M'K	REVISIONS	DWN	APPR	REMARKS

(, , )



BUSH



1	COLLAR	FCD40	4	3.5	14		
NO	DESCRIPTIONS	MT'L	SET QTY	SET	UNIT WEIGHT KG	TOTAL	REMARKS
DATE : 2014. 02		SCALE : N/S		DRAWING No. : JD-SSWQ-400-C			
DRAWN BY J. H. GWAK		DESIGNED BY J,H,GWAK		CHECKED BY		APPROVED BY D,J,SIN	
PROJECT TITLE TRAVELLING COLLAR DRAWING				DRAWING TITLE Ø400			



JINDO HOIST CRANE.CO.LTD