

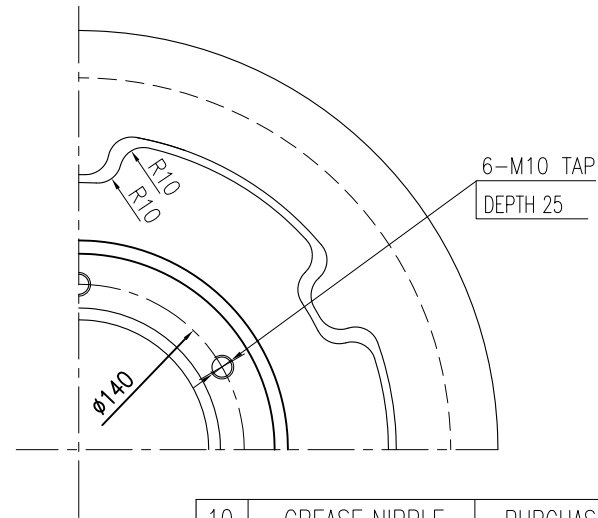
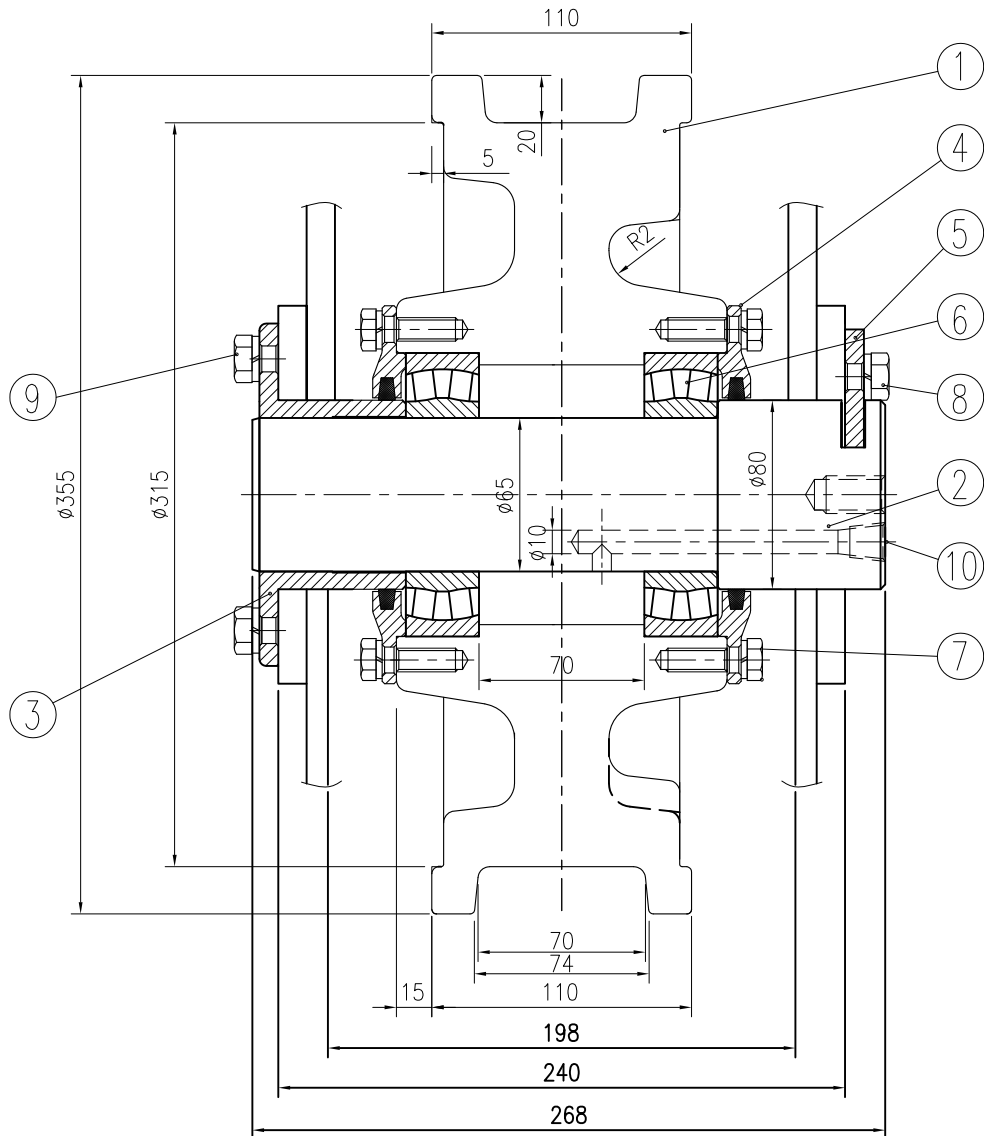
SPECIFICATION	
MODULE	5
PRESSURE ANGLE	20°
NO. OF TEETH	70T
D.O.G.N OF TEETH	
P.C.D	$\phi 350$

13	GREASE NIPPLE	PURCHASE	2		PT1/4"
12	BOLT.SW	4T	2		M14x 45Lx 25S
11	BOLT.SW	4T	2		M12x 30Lx 25S
10	BOLT.SW	4T	4		M12x 30Lx 20S
9	BOLT.SW	4T	12		M12x 35Lx 25S
8	BEARING	PURCHASE	4		#22213
7	BUSH	S45CN	3		JD- $\phi 315$ -BU
6	KEY PLATE	SS41	2		JD- $\phi 315$ -K
5	BEARING COVER	SS41 OR FC20	4		JD- $\phi 315$ -BC
4	COLLAR	FCD40	2		JD- $\phi 315$ -C
3	SHAFT	S45CN	2		JD- $\phi 315$ -S
2	WHEEL GEAR	SC49	2		JD- $\phi 315$ -G
1	DRIVING WHEEL	SSWQ-1R	2		JD- $\phi 315$ -D1
	ASS'Y OF DRIVING WHEEL		2		

NO	DESCRIPTION	MATERIAL	Q'TY	WEIGHT		REMARKS
				UNIT	TOTAL	
				KG	KG	
DATE : 2014. 02		SCALE : N/S		DRAWING No. : JD-SSWQ-315-D		
DRAWN BY J. H. GWAK		DESIGNED BY J,H,GWAK		CHECKED BY		APPROVED BY D,J,SIN
PROJECT TITLE TRAVELLING DRIVING DRAWING				DRAWING TITLE $\phi 315$		



JINDO HOIST CRANE.CO.LTD

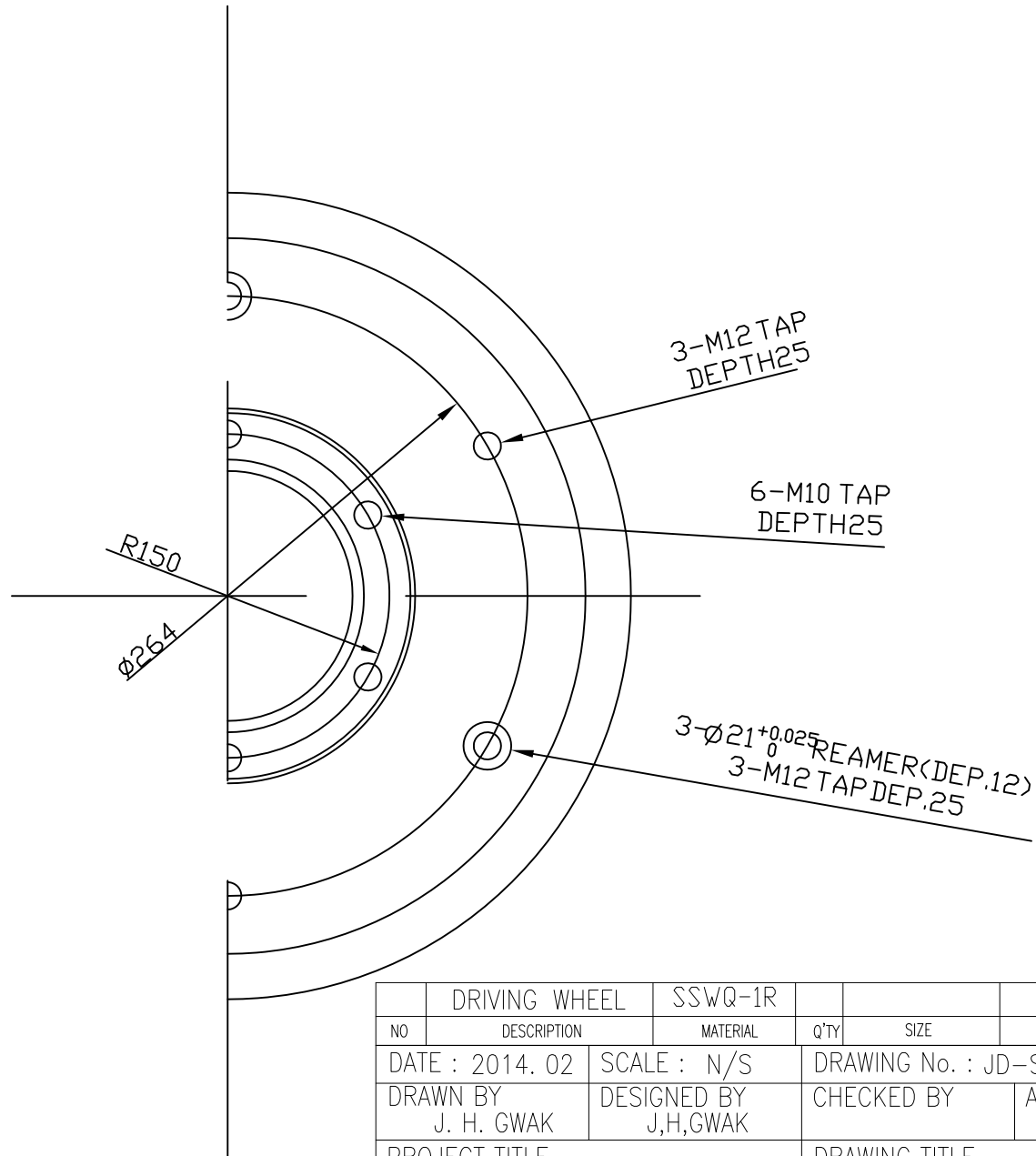
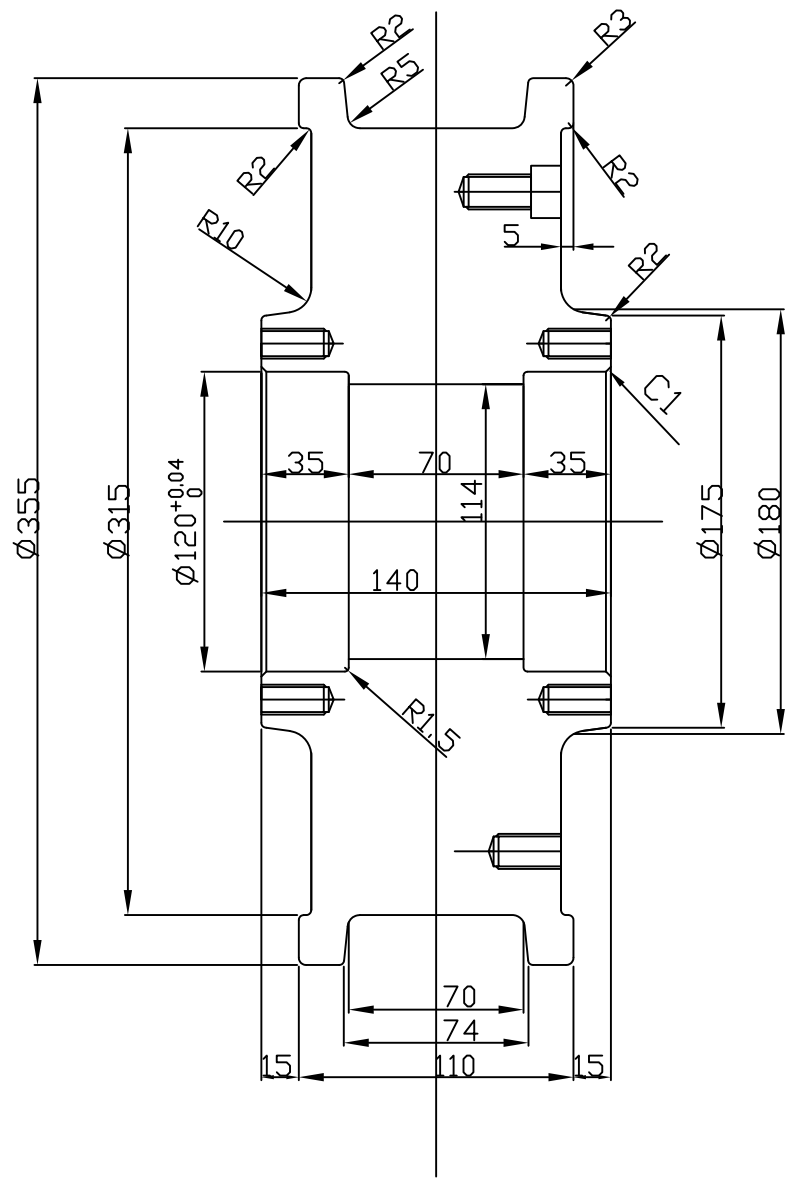


10	GREASE NIPPLE	PURCHASE	2		PT1/4"
9	BOLT.SW	4T	4		M12×30L×25S
8	BOLT.SW	4T	2		M12×30L×20S
7	BOLT.SW	4T	12		M12×35L×25S
6	BEARING	PURCHASE	4		#22213
5	KEY PLATE	SS41	2		JD-φ315-K
4	BEARING COVER	SS41 OR FC20	4		JD-φ315-BC
3	COLLAR	FCD40	2		JD-φ315-C
2	SHAFT	S45CN	2		JD-φ315-S
1	FOLLOWING WHEEL	SSWQ-1R	2		JD-φ315-D1
	ASSY OF FOLLOWING WHEEL		2		

NO	DESCRIPTION	MATERIAL	Q'TY	WEIGHT		REMARKS
				UNIT	TOTAL	
				WEIGHT	KG	
DATE : 2014. 02		SCALE : N/S		DRAWING No. : JD-SSWQ-315-F		
DRAWN BY J. H. GWAK		DESIGNED BY J,H,GWAK		CHECKED BY		APPROVED BY D,J,SIN
PROJECT TITLE TRAVELLING FOLLOWING DRAWING				DRAWING TITLE φ315		



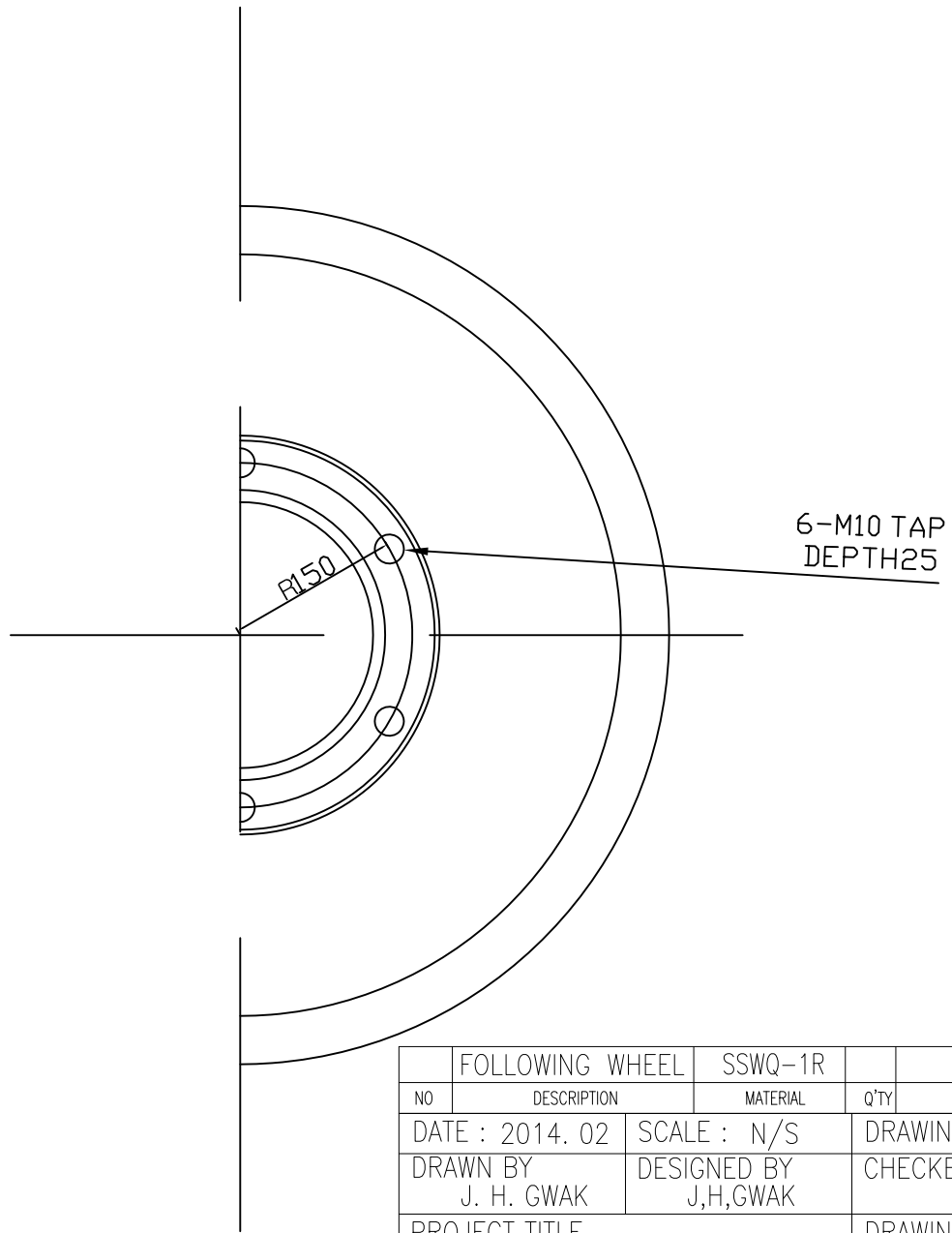
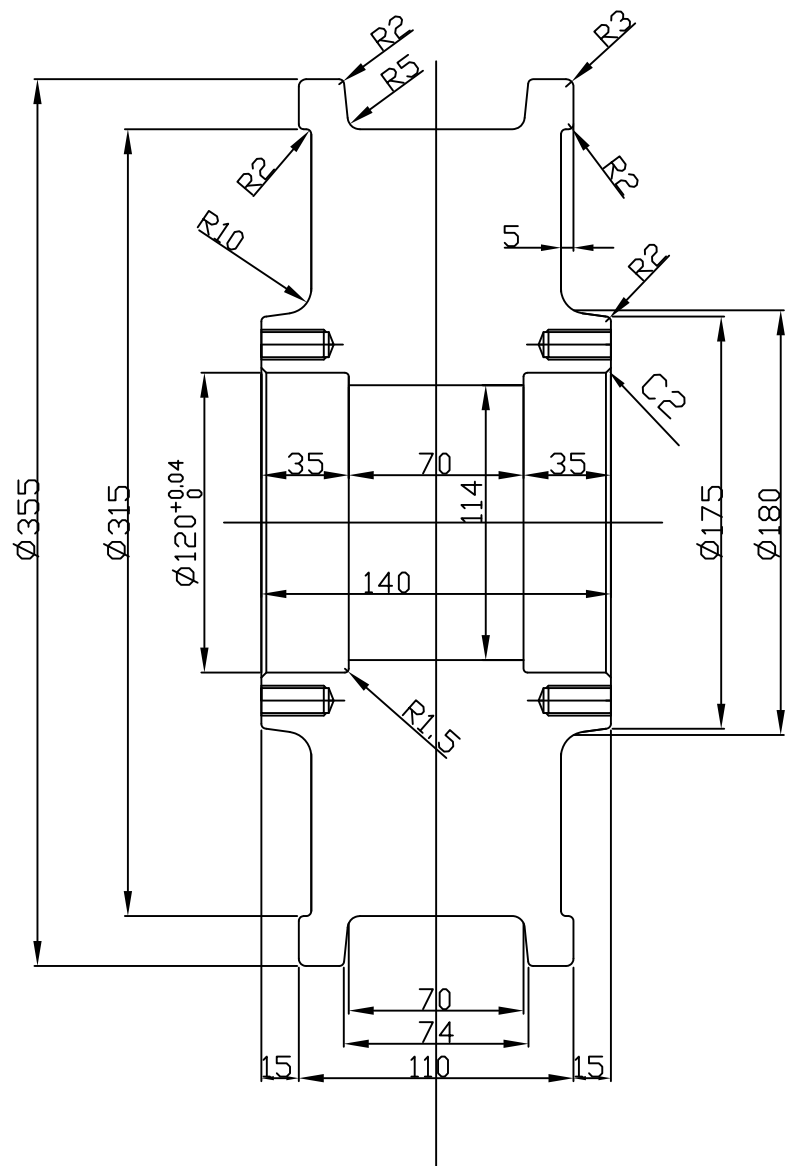
JINDO HOIST CRANE.CO.LTD



NO	DESCRIPTION	MATERIAL	Q'TY	SIZE	REMARKS
	DRIVING WHEEL	SSWQ-1R			
DATE : 2014. 02	SCALE : N/S	DRAWING No. : JD-SSWQ-315-D1			
DRAWN BY J. H. GWAK	DESIGNED BY J,H,GWAK	CHECKED BY	APPROVED BY D,J,SIN		
PROJECT TITLE TRAVELLING DRIVING DRAWING			DRAWING TITLE $\phi 315$		



JINDO HOIST CRANE.CO.LTD



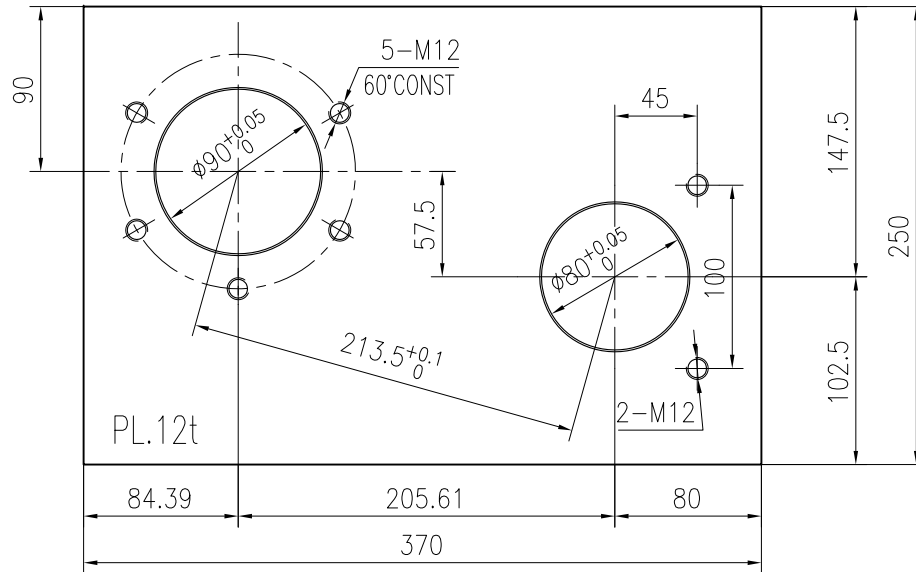
6-M10 TAP
DEPTH 25

NO	DESCRIPTION	MATERIAL	Q'TY	SIZE	REMARKS
	FOLLOWING WHEEL	SSWQ-1R			
DATE : 2014. 02	SCALE : N/S	DRAWING No. : JD-SSWQ-315-F1			
DRAWN BY J. H. GWAK	DESIGNED BY J,H,GWAK	CHECKED BY	APPROVED BY D,J,SIN		
PROJECT TITLE TRAVELLING FOLLOWING DRAWING			DRAWING TITLE ø315		

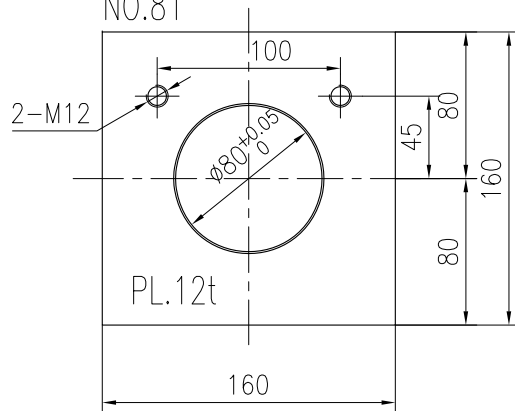


JINDO HOIST CRANE.CO.LTD

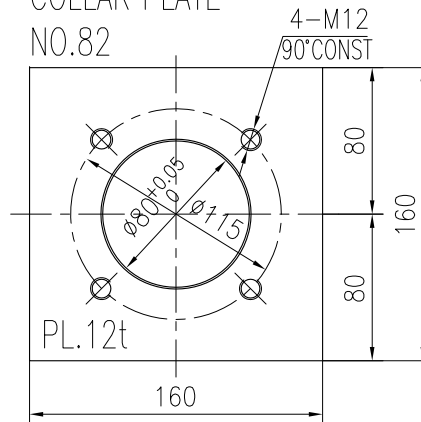
φ 315 MOTOR PLATE
NO.80



SHAFT PLATE
NO.81



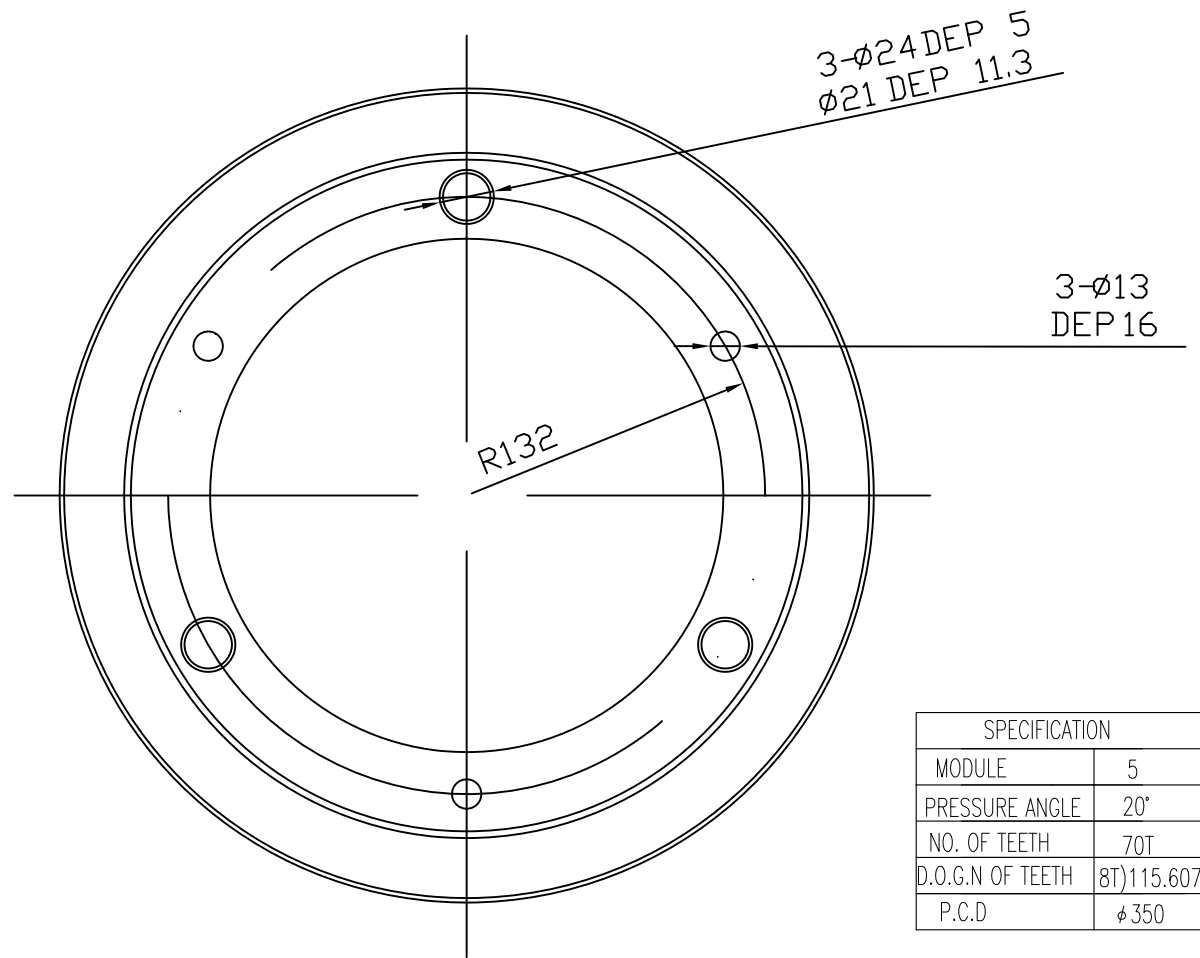
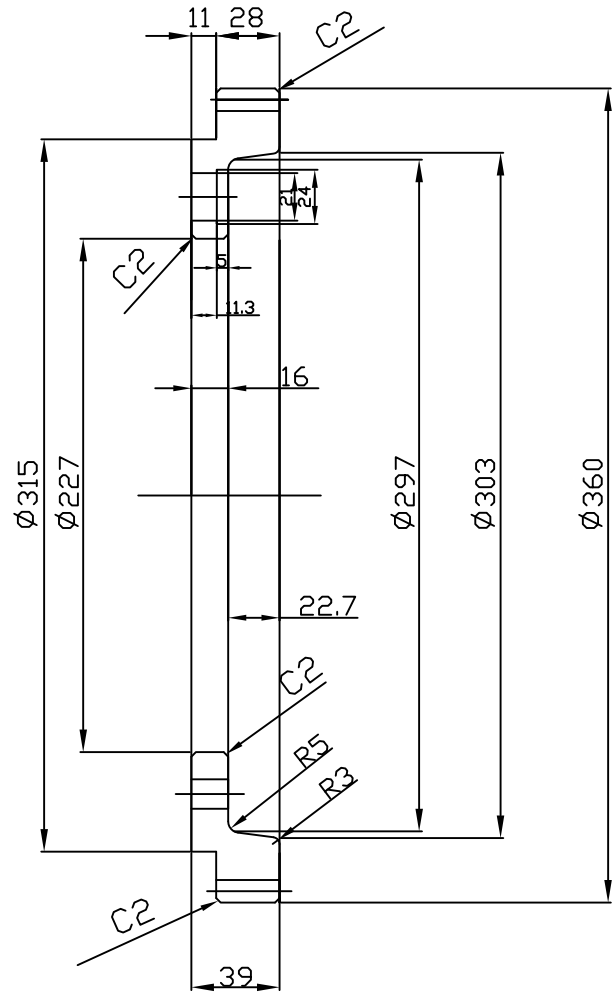
COLLAR PLATE
NO.82



82	PL 12×160×160	SS41	4			7.74
81	PL 12×160×160	SS41	2			3.87
80	PL 12×250×370	SS41	2			15.28
	PLATE ACC'Y					
NO	DESCRIPTION	MATERIAL	Q'TY	UNIT	TOTAL	REMARKS
				WEIGHT	KG	
DATE : 2014. 02		SCALE : N/S		DRAWING No. : JD-SSWQ-315-P		
DRAWN BY J. H. GWAK		DESIGNED BY J,H,GWAK		CHECKED BY		APPROVED BY D,J,SIN
PROJECT TITLE TRAVELLING PLATE ACC'Y DRAWING				DRAWING TITLE φ315		



JINDO HOIST CRANE.CO.LTD

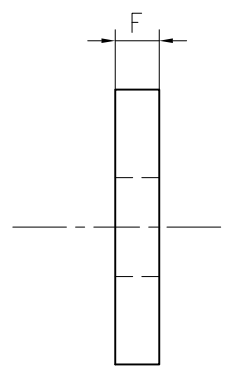
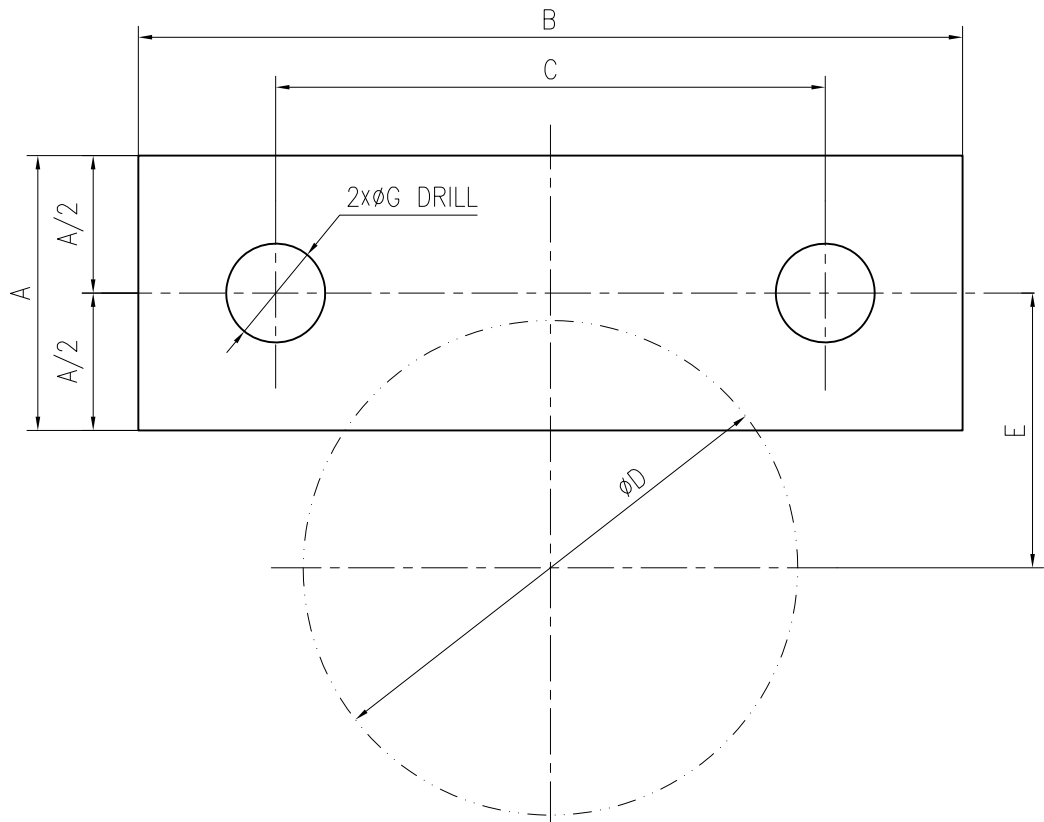


SPECIFICATION	
MODULE	5
PRESSURE ANGLE	20°
NO. OF TEETH	70T
D.O.G.N OF TEETH	8T)115.607 ^{+0.1} _{-0.4}
P.C.D	φ 350

NO	DESCRIPTION	MATERIAL	Q'TY	SIZE	REMARKS
	WHEEL GEAR	S49C			
DATE : 2014. 02	SCALE : N/S	DRAWING No. : JD-SSWQ-315-WG			
DRAWN BY J. H. GWAK	DESIGNED BY J,H,GWAK	CHECKED BY	APPROVED BY D,J,SIN		
PROJECT TITLE TRAVELLING WHEEL GEAR DRAWING			DRAWING TITLE ø315		



JINDO HOIST CRANE.CO.LTD



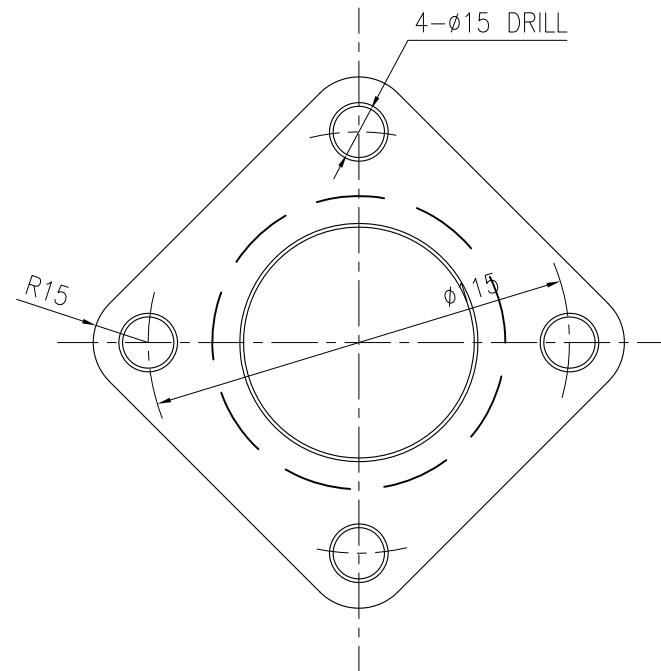
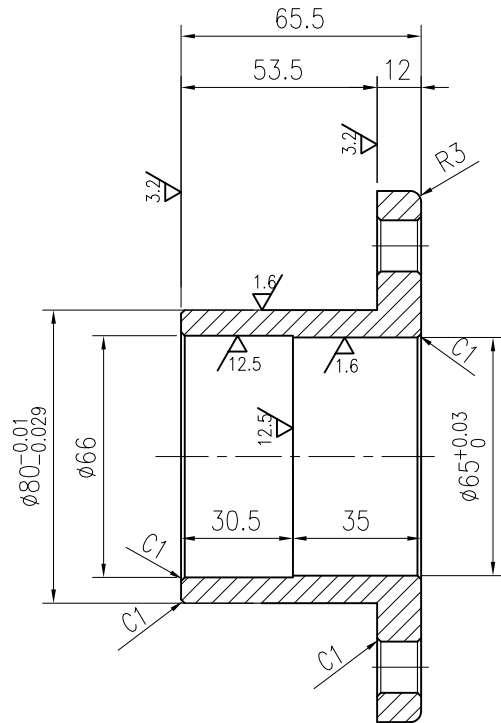
WHEEL NOTATION	A	B	C	D	E	F	G	WEIGHT KG/EA
φ 160	38	120	80	60	35	8	14	0.3
φ 200	38	120	80	70	40	8	14	0.3
φ 250	38	120	80	75	42.5	8	14	0.3
φ 315	50	150	100	80	45	8	14	0.5
φ 315S	38	120	80	60	35	8	18	0.3
φ 400	50	150	100	90	50	8	18	0.5
φ 400S	50	150	100	80	45	8	22	0.5
φ 500	50	170	120	105	57.5	10	18	0.7
φ 500S	50	150	100	90	50	8	22	0.5
φ 630	50	170	120	120	65	10	18	0.7
φ 630S	50	170	120	98	55	10	22	0.7
φ 710	55	210	150	130	67.5	12	18	1
φ 710S	50	170	120	110	60	10	22	0.7
φ 800	55	210	150	135	72.5	12	24	1.5
φ 800S	55	210	150	125	67.5	12	24	1

COLLAR

	KEY PLATE	SS41	4		
NO	DESCRIPTION	MATERIAL	Q'TY	SIZE	REMARKS
DATE : 2014. 02		SCALE : N/S		DRAWING No. : JD-SSWQ-315-K	
DRAWN BY J. H. GWAK		DESIGNED BY J,H,GWAK		CHECKED BY	APPROVED BY D,J,SIN
PROJECT TITLE TRAVELLING KEY PLATE DRAWING			DRAWING TITLE φ315		



JINDO HOIST CRANE.CO.LTD



	COLLAR	FCD40	4		
NO	DESCRIPTION	MATERIAL	Q'TY	SIZE	REMARKS
DATE : 2014. 02		SCALE : N/S		DRAWING No. : JD-SSWQ-315-C	
DRAWN BY J. H. GWAK		DESIGNED BY J,H,GWAK		CHECKED BY	APPROVED BY D,J,SIN
PROJECT TITLE TRAVELLING DRIVING PLAET DRAWING				DRAWING TITLE φ315	

