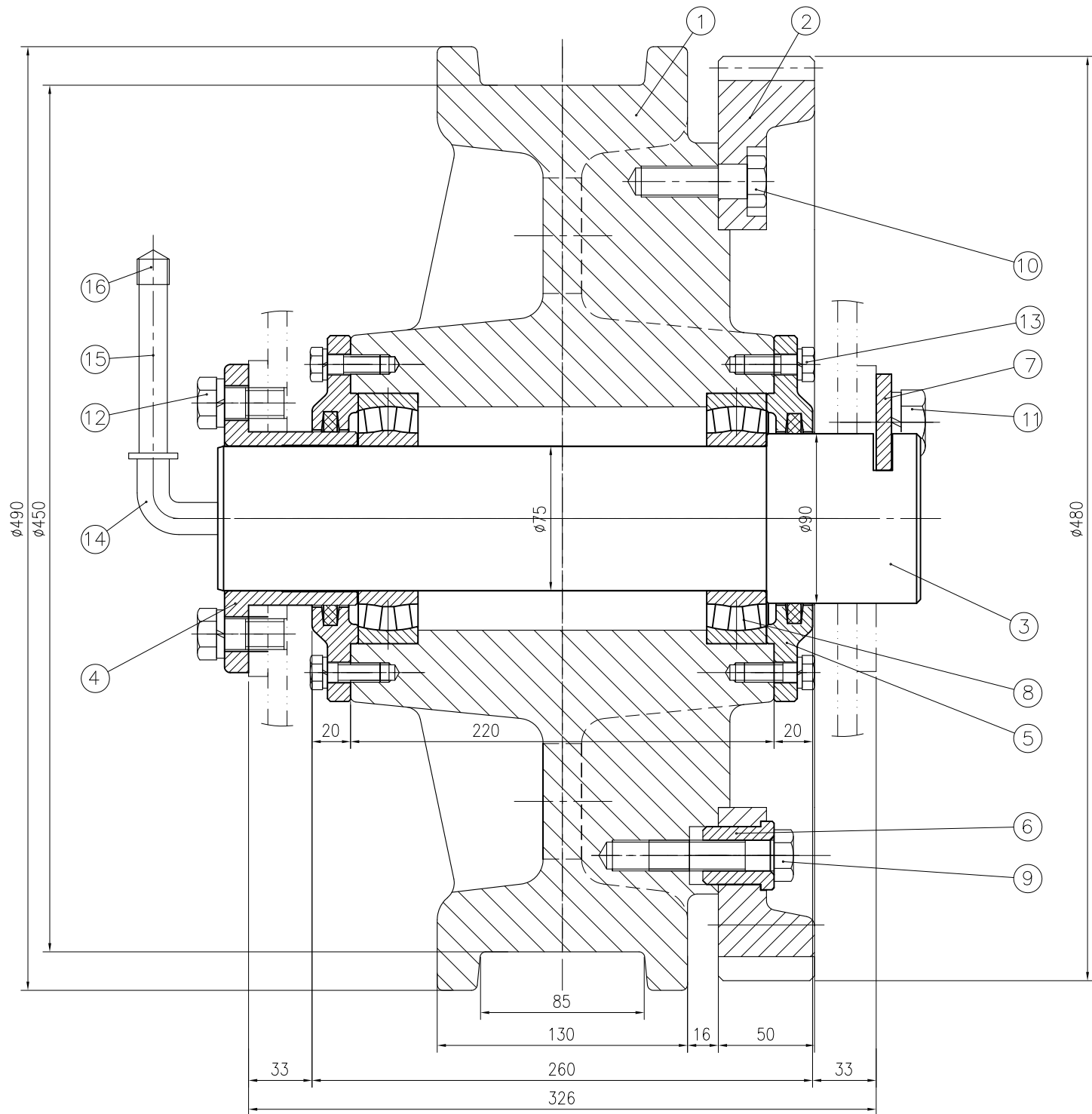


12	GREASE NIPPLE	PUR-CHASE	2			PT 1/4"	
11	PIPE	S.G.P	2			3/8"	
10	ELBOW	PUR-CHASE	2			PT 3/8"	
9	BOLT,SW	4 T	24			M10x35 ^L x25 ^S	
8	BOLT,SW	4 T	8			M16x35 ^L x25 ^S	
7	BOLT,SW	4 T	4			M20x30 ^L x25 ^S	
6	BEARING	PUR-CHASE	4			#22215	
5	KEY PLATE	SS41	2			JD-S450-K	
4	BEARING COVER	SS41 OR FC20	4			JD-S450-BC	
3	COLLAR	FCD40	2			JD-S450-C	
2	SHAFT	S45CN	2			JD-S450-S	
1	FOLLOWING WHEEL	SCMn2A	2			JD-S450-F1	
	ASSY OF FOLLOWING WHEEL	-	2				
NO	DESCRIPTIONS	MT'L	SET QTY	SET QTY	UNIT WEIGHT KG	TOTAL WEIGHT KG	REMARKS
DATE : 2014. 02		SCALE : N/S		DRAWING No. :		JD-450-D	
DRAWN BY J. H. GWAK		DESIGNED BY J,H,GWAK		CHECKED BY		APPROVED BY D,J,SIN	
PROJECT TITLE TRAVELLING FOLLOWING DRAWING				DRAWING TITLE ø450			



JINDO HOIST CRANE.CO.LTD

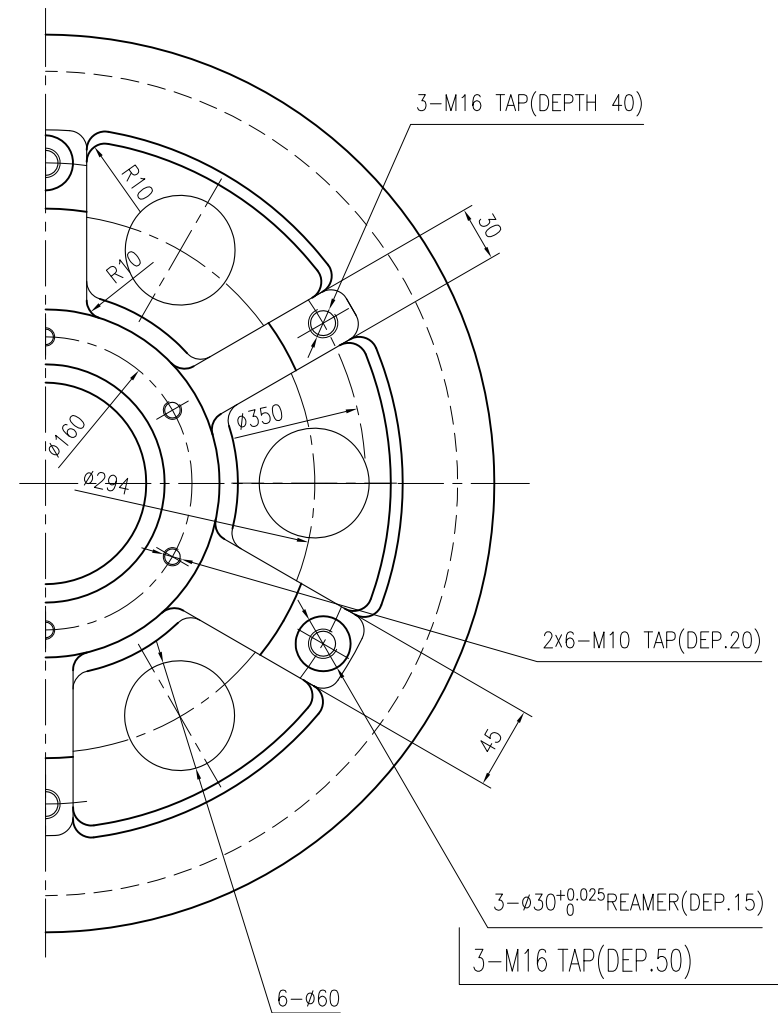
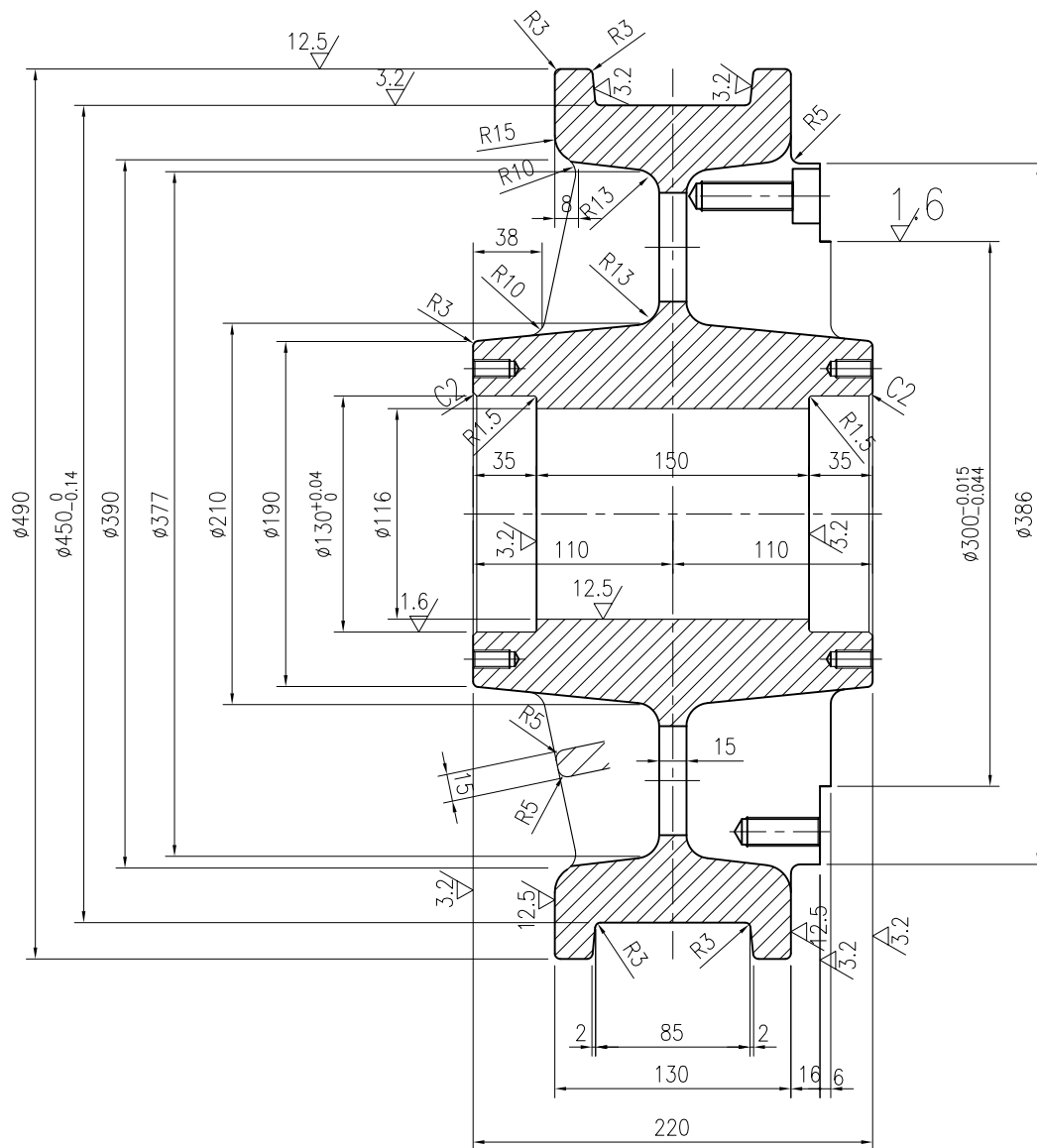


16	GREASE NIPPLE	PUR-CHASE	2		PT 1/4"
15	PIPE	S.G.P	2		3/8"
14	ELBOW	PUR-CHASE	2		PT 3/8"
13	BOLT, SW	4T	24		M10x35 ^L x25 ^S
12	BOLT, SW	4T	8		M16x35 ^L x25 ^S
11	BOLT, SW	4T	4		M20x30 ^L x25 ^S
10	H.T BOLT B	S20C	6		HT BOLT M16
9	H.T BOLT A	S20C	6		HT BOLT M16
8	BEARING	PUR-CHASE	4		#22215
7	KEY PLATE	SS41	2		JD-S450-K
6	BUSH	S45CN	6		JD-S450-BU
5	BEARING COVER	SS41 OR FC20	4		JD-S450-BC
4	COLLAR	FCD40	2		JD-S450-C
3	SHAFT	S45CN	2		JD-S450-S
2	WHEEL GEAR	SC49	2		JD-S450-GR
1	DRIVING WHEEL	SCMn2A	2		JD-S450-D
	ASS'Y OF DRIVING WHEEL	-	2		

NO	DESCRIPTIONS	MT'L	SET	SET	UNIT	TOTAL	REMARKS
			QTY	QTY	WEIGHT	KG	
DATE : 2014. 02		SCALE : N/S		DRAWING No. :		JD-450-D	
DRAWN BY J. H. GWAK		DESIGNED BY J, H, GWAK		CHECKED BY		APPROVED BY D, J, SIN	
PROJECT TITLE TRAVELLING DRIVING DRAWING				DRAWING TITLE $\phi 450$			



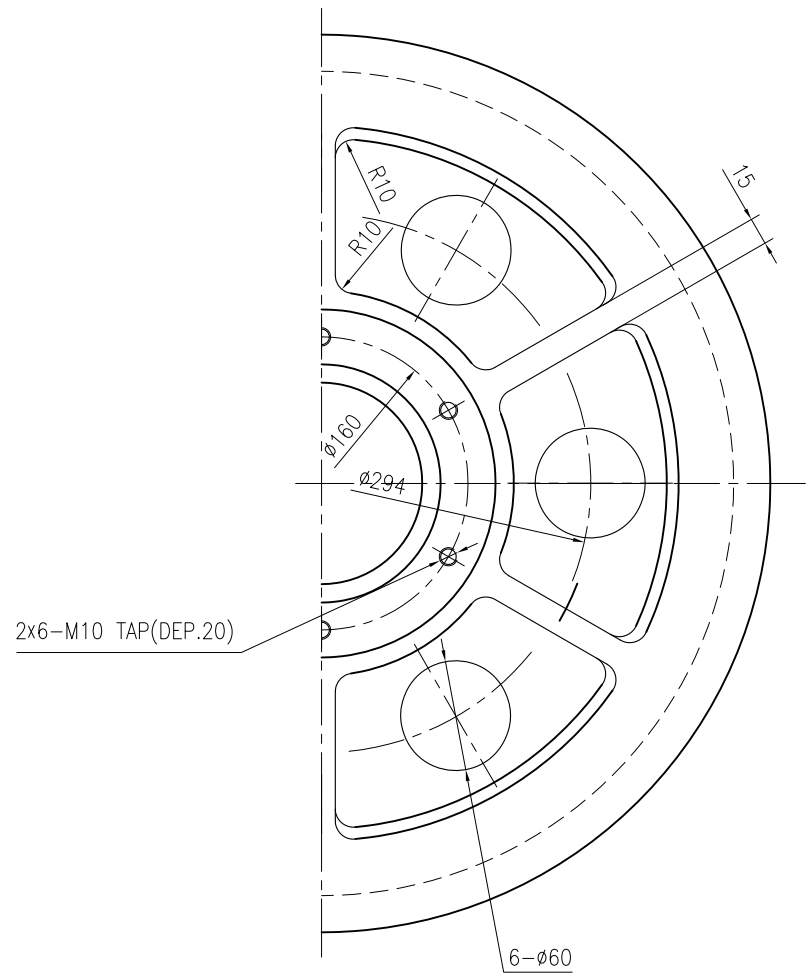
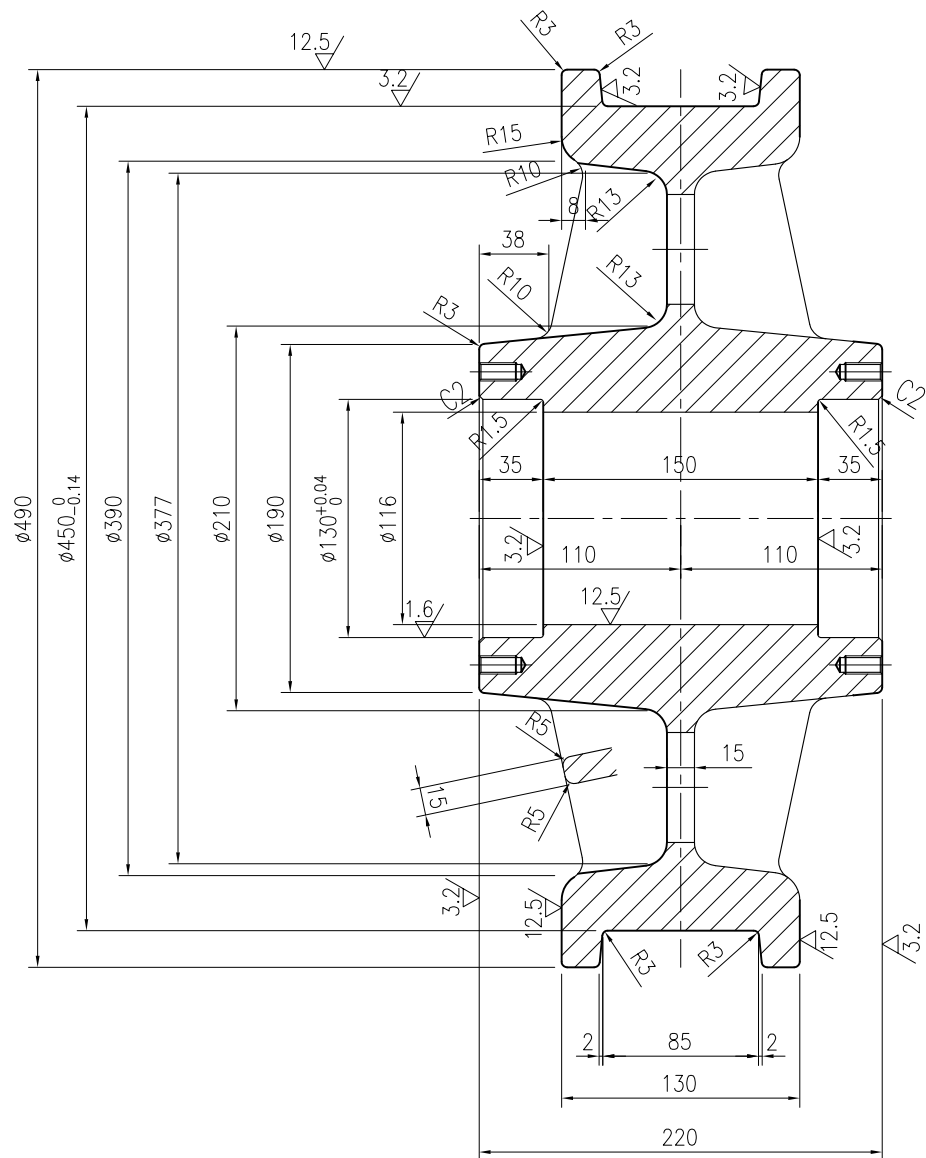
JINDO HOIST CRANE.CO.LTD



NO	DESCRIPTION	MATERIAL	Q'TY	SIZE	REMARKS
	DRIVING WHEEL	SCMn2A	2		
DATE : 2014. 02	SCALE : N/S		DRAWING No. :	JD-450-D1	
DRAWN BY J. H. GWAK	DESIGNED BY J,H,GWAK		CHECKED BY	APPROVED BY D,J,SIN	
PROJECT TITLE TRAVELLING DRIVING DRAWING			DRAWING TITLE ø450		



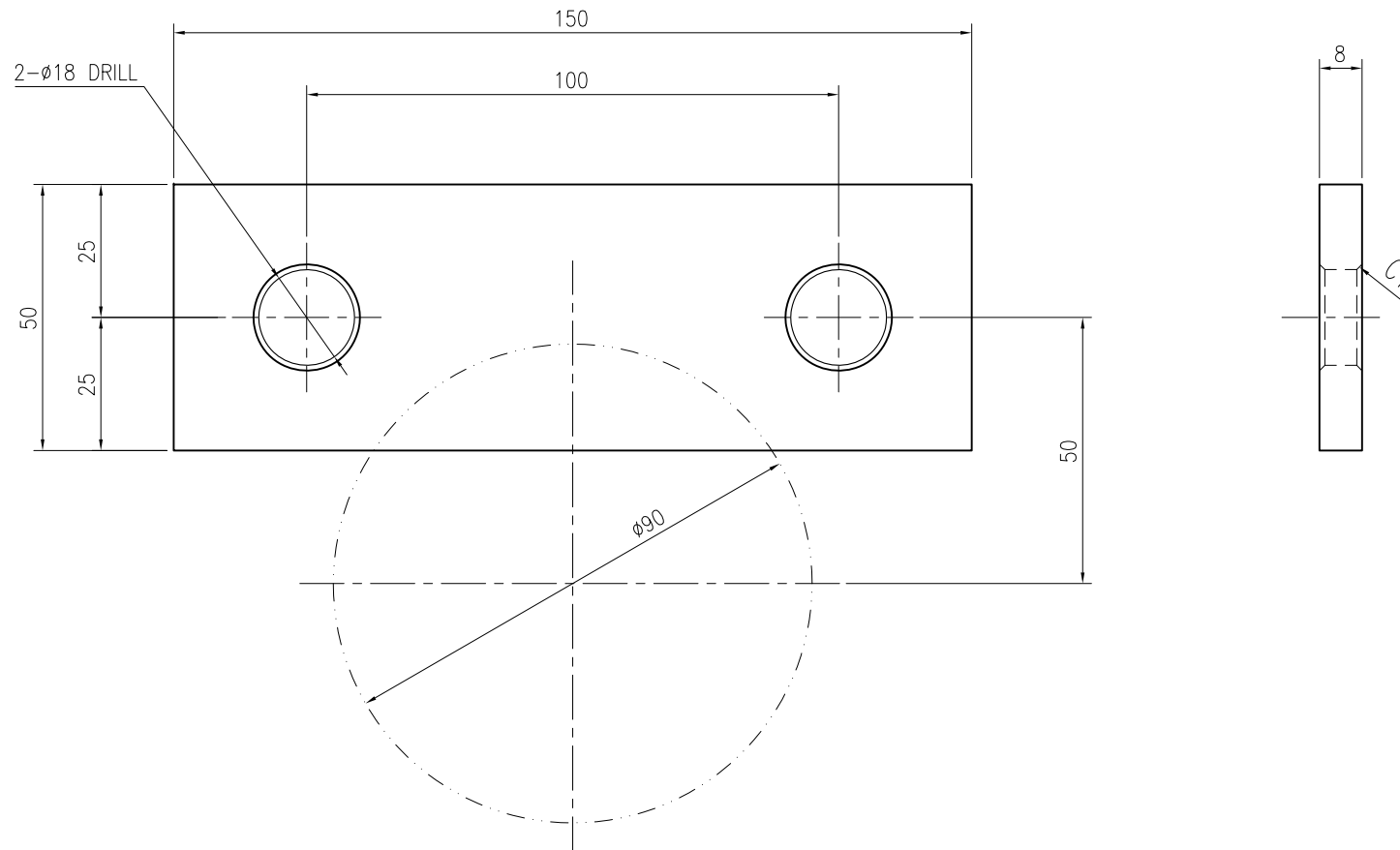
JINDO HOIST CRANE.CO.LTD



NO	DESCRIPTION	MATERIAL	Q'TY	SIZE	REMARKS
	FOLLOWING WHEEL	SCMn2A	2		
DATE : 2014. 02	SCALE : N/S	DRAWING No. :		JD-450-F1	
DRAWN BY J. H. GWAK	DESIGNED BY J,H,GWAK	CHECKED BY		APPROVED BY D,J,SIN	
PROJECT TITLE TRAVELLING FOLLOWING DRAWING			DRAWING TITLE ø450		



JINDO HOIST CRANE.CO.LTD

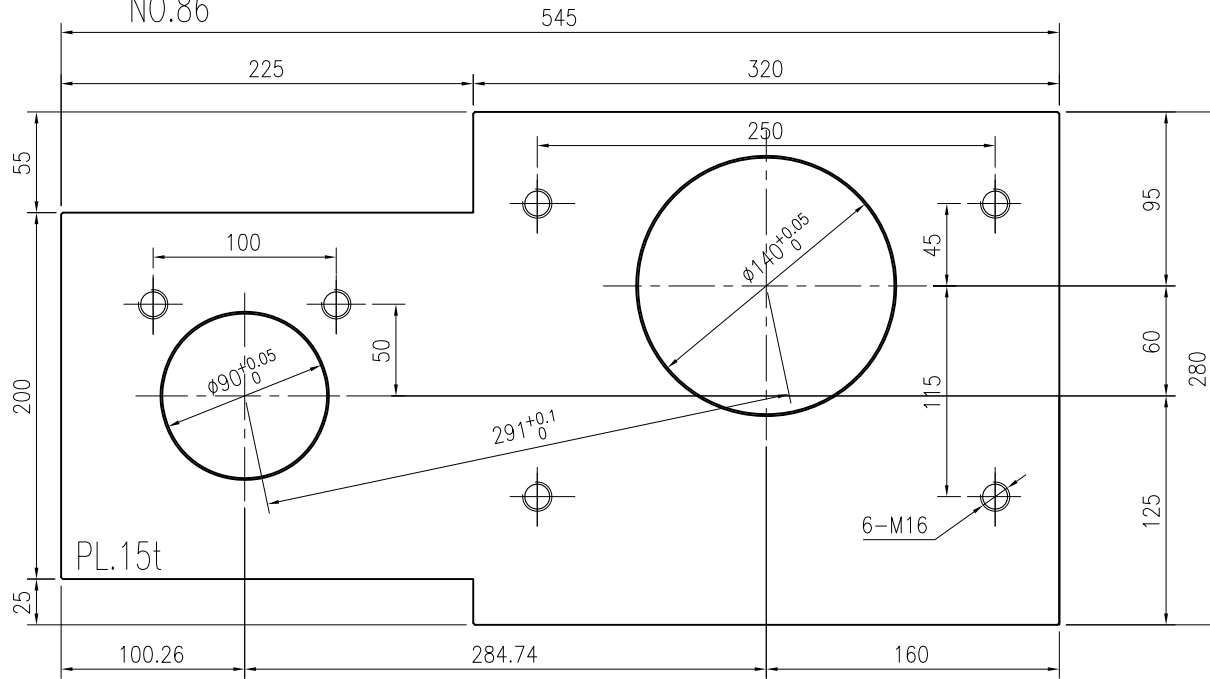


NO	DESCRIPTION	MATERIAL	Q'TY	SIZE	REMARKS
	KEY PLATE	SS41	4		
DATE : 2014. 02	SCALE : N/S	DRAWING No. :		JD-450-K	
DRAWN BY J. H. GWAK	DESIGNED BY J,H,GWAK	CHECKED BY		APPROVED BY D,J,SIN	
PROJECT TITLE TRAVELLING KEY PLATE DRAWING			DRAWING TITLE Ø450		

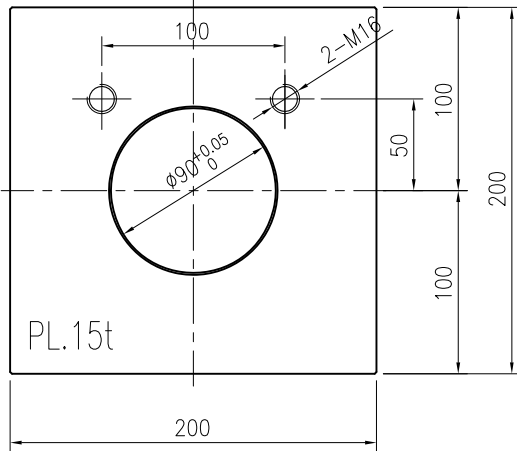


JINDO HOIST CRANE.CO.LTD

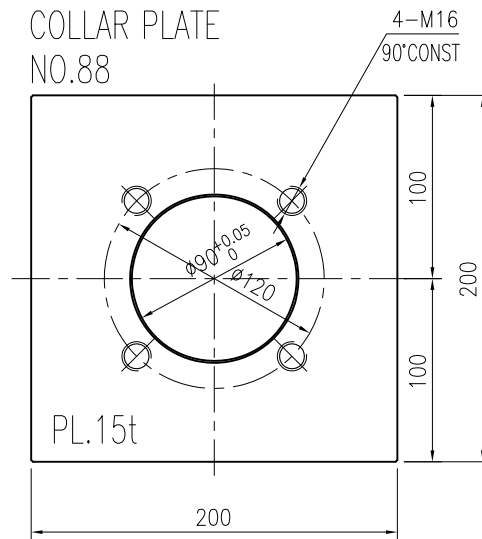
φ 450 MOTOR PLATE
NO.86



SHAFT PLATE
NO.87



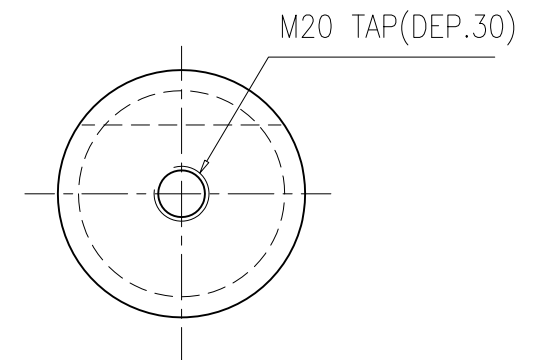
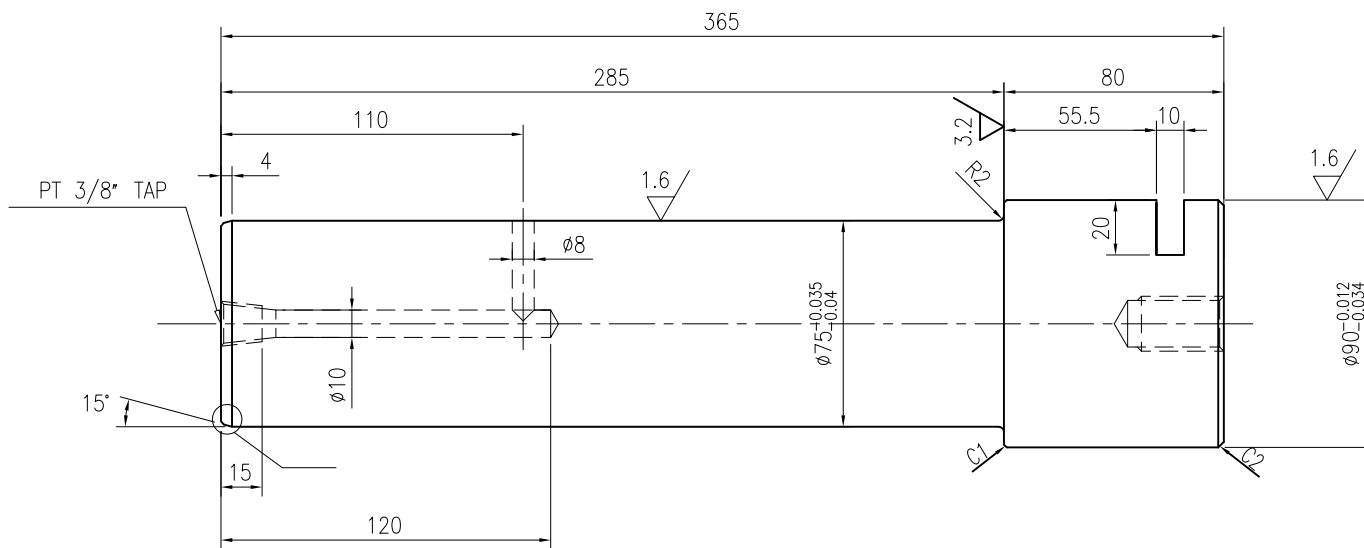
COLLAR PLATE
NO.88



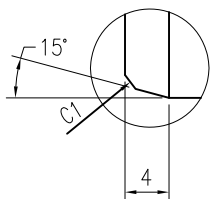
88	PL.15×200×200	SS41		4		15.84	
87	PL.15×200×200	SS41		2		7.92	
86	PL.15×280×545	SS41		2		25.4	
	PLATE ACC'Y						
NO	DESCRIPTIONS	MT'L	SET	SET	UNIT	TOTAL	REMARKS
			QTY		WEIGHT KG		
DATE : 2014. 02		SCALE : N/S		DRAWING No. : JD-450-P			
DRAWN BY J. H. GWAK		DESIGNED BY J,H,GWAK		CHECKED BY		APPROVED BY D,J,SIN	
PROJECT TITLE TRAVELLING PLATE ACC'Y DRAWING				DRAWING TITLE φ450			



JINDO HOIST CRANE.CO.LTD



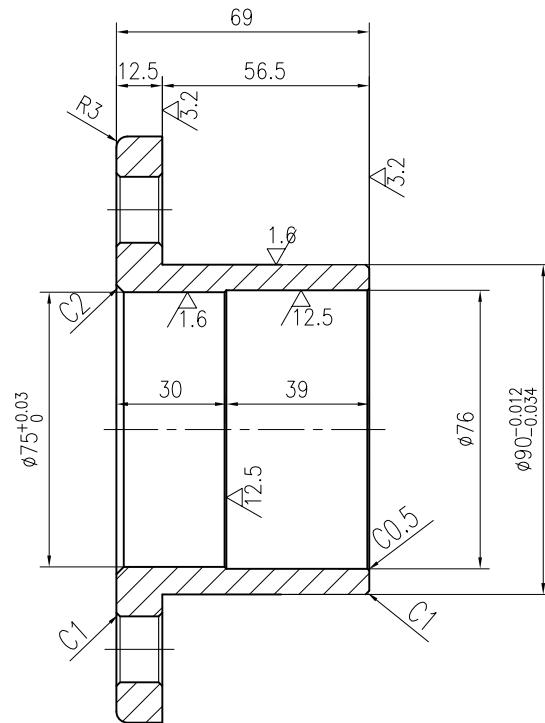
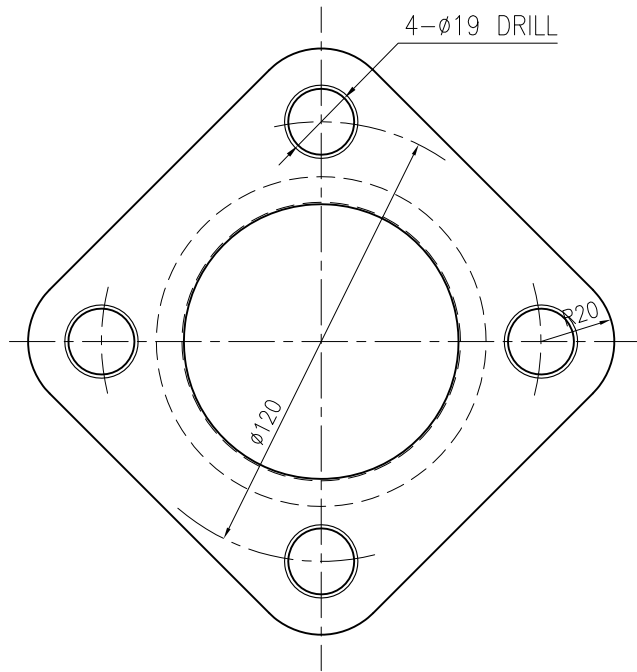
I
2:1



NO	DESCRIPTION	MATERIAL	Q'TY	SIZE	REMARKS
DATE : 2014. 02	SCALE : N/S	DRAWING No. :		JD-450-S	
DRAWN BY J. H. GWAK		DESIGNED BY J,H,GWAK		CHECKED BY	APPROVED BY D,J,SIN
PROJECT TITLE TRAVELLING SHAFT DRAWING				DRAWING TITLE ø450	



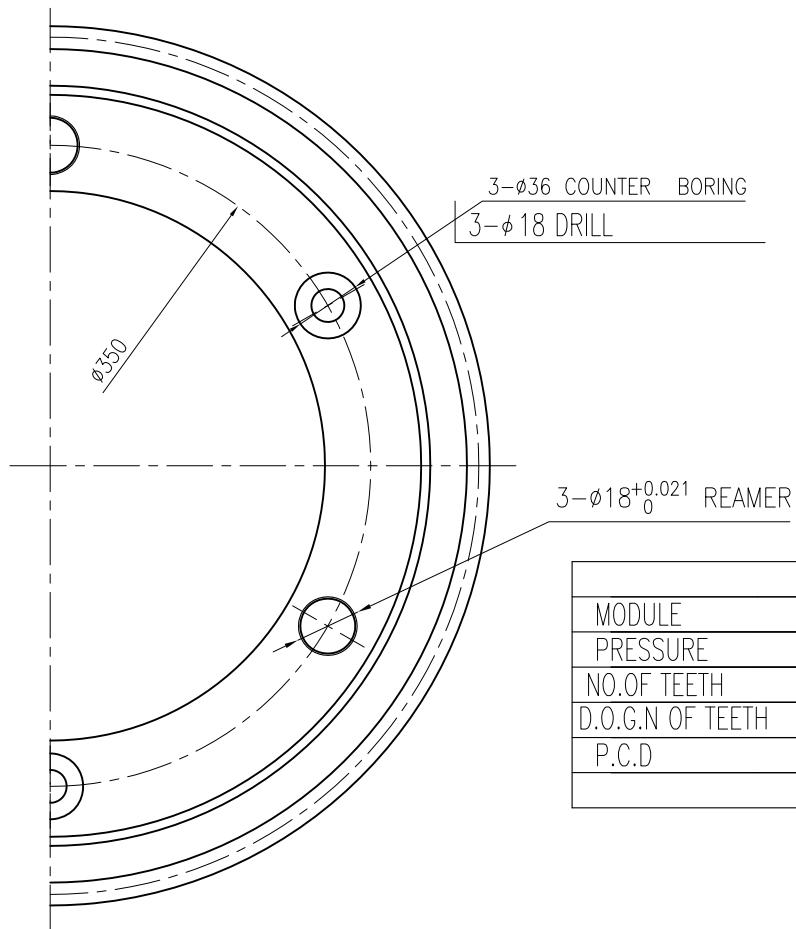
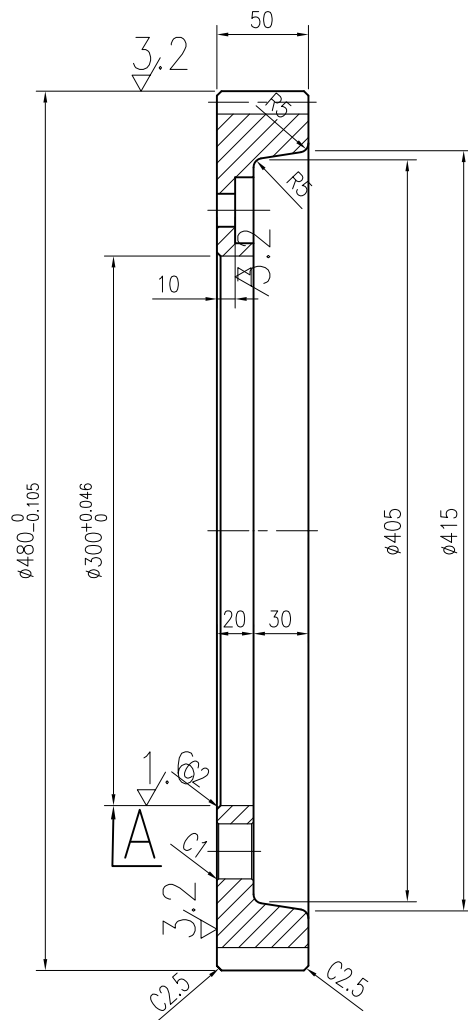
JINDO HOIST CRANE.CO.LTD



NO	DESCRIPTION	MATERIAL	Q'TY	SIZE	REMARKS
DATE : 2014. 02		SCALE : N/S		DRAWING No. : JD-450-C	
DRAWN BY J. H. GWAK		DESIGNED BY J,H,GWAK		CHECKED BY APPROVED BY D,J,SIN	
PROJECT TITLE TRAVELLING COLLAR PLAET DRAWING			DRAWING TITLE φ450		



JINDO HOIST CRANE.CO.LTD

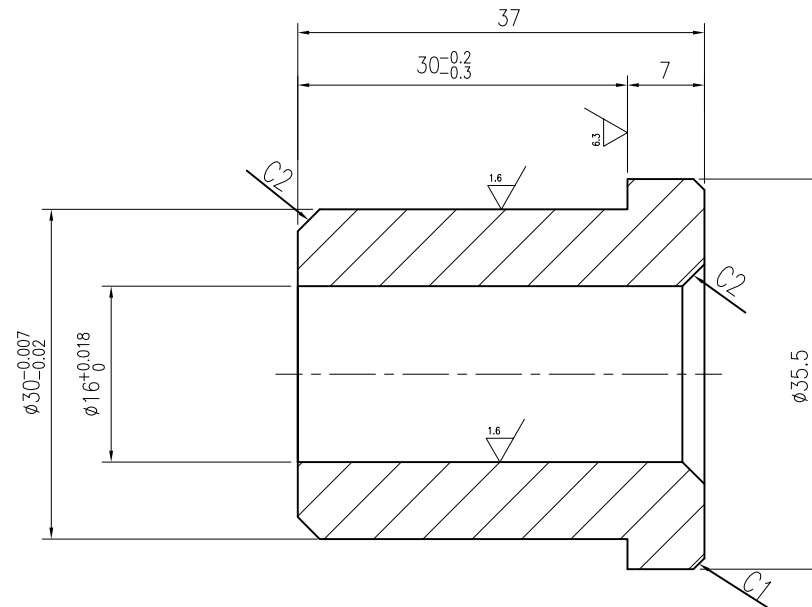


GEAR SPECIFICATION		
MODULE	6	8
PRESSURE	20°	
NO.OF TEETH	78 ^T	58 ^T
D.O.G.N OF TEETH	9 ^T)157.11 $_{-0.43}^{-0.12}$	7 ^T)160.00 $_{-0.51}^{-0.12}$
P.C.D	$\phi 468$	$\phi 464$
	$\phi 450$	$\phi 450S$

NO	DESCRIPTION	MATERIAL	Q'TY	SIZE	REMARKS
	WHEEL GEAR	SC49	2		
DATE : 2014. 02		SCALE : N/S		DRAWING No. : JD-450-WG	
DRAWN BY J. H. GWAK		DESIGNED BY J,H,GWAK		CHECKED BY	APPROVED BY D,J,SIN
PROJECT TITLE TRAVELLING WHEEL GEAR DRAWING				DRAWING TITLE $\phi 450$	



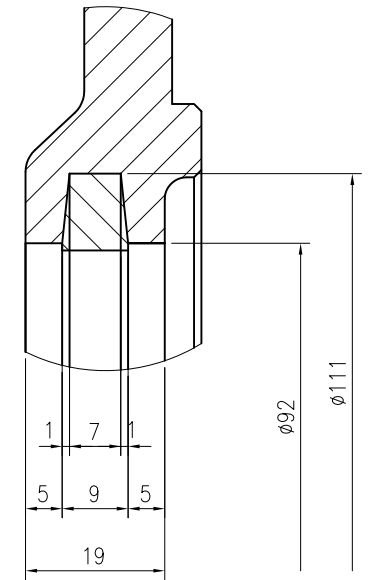
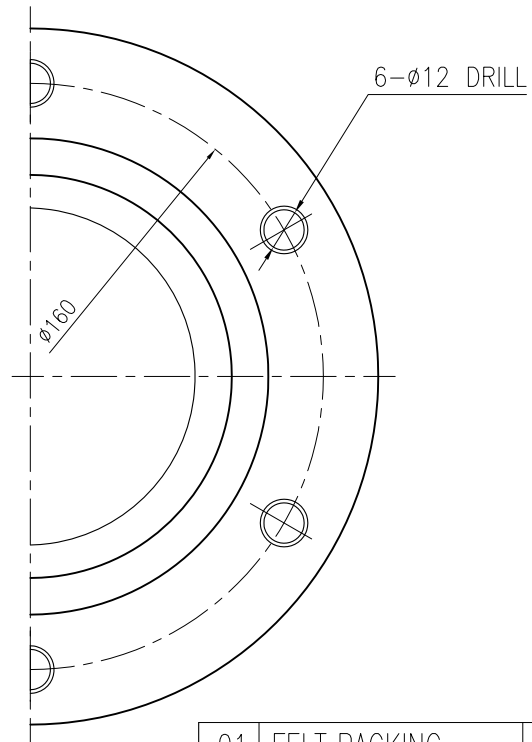
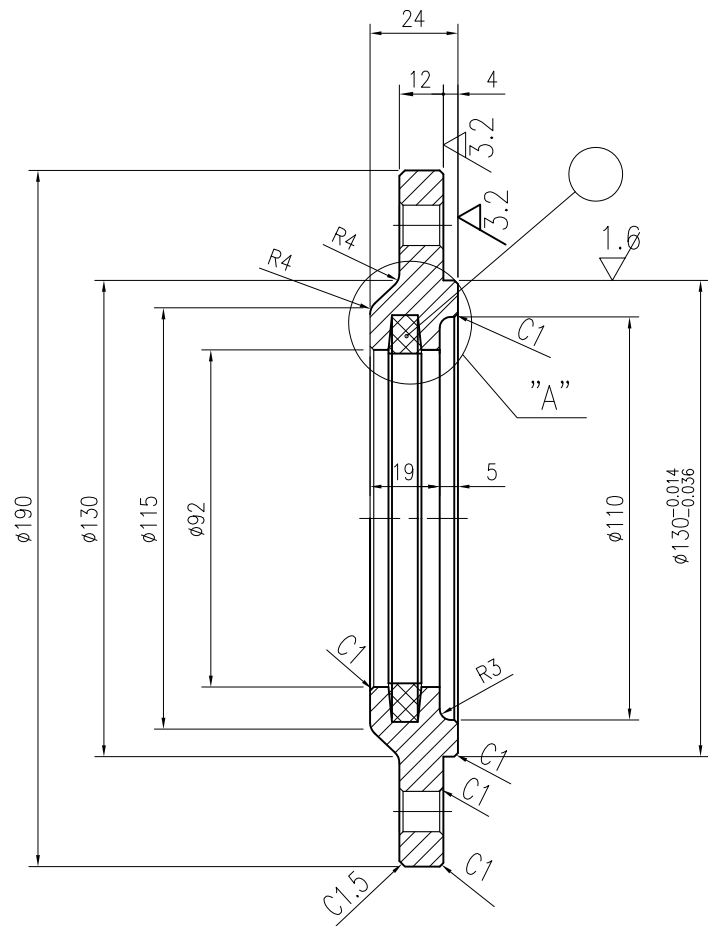
JINDO HOIST CRANE.CO.LTD



NO	DESCRIPTION	MATERIAL	Q'TY	SIZE	REMARKS
DATE : 2014. 02		SCALE : N/S		DRAWING No. : JD-450-BU	
DRAWN BY J. H. GWAK		DESIGNED BY J,H,GWAK		CHECKED BY APPROVED BY D,J,SIN	
PROJECT TITLE TRAVELLING BUSH DRAWING				DRAWING TITLE $\phi 450$	



JINDO HOIST CRANE.CO.LTD



DETAIL "A"

01	FELT PACKING	PUR-CHASE	8			8t x $\phi 90$ x $\phi 111$
	BEARING COVER	SS41 OR FC20	8	6.5	52	27t x $\phi 195$
NO	DESCRIPTION	MATERIAL	Q'TY	UNIT	TOTAL	REMARKS
				WEIGHT	WEIGHT	
DATE : 2014. 02		SCALE : N/S		DRAWING No. :		JD-450-BC
DRAWN BY J. H. GWAK		DESIGNED BY J,H,GWAK		CHECKED BY		APPROVED BY D,J,SIN
PROJECT TITLE TRAVELLING BEARING COVER DRAWING				DRAWING TITLE $\phi 450$		



JINDO HOIST CRANE.CO.LTD