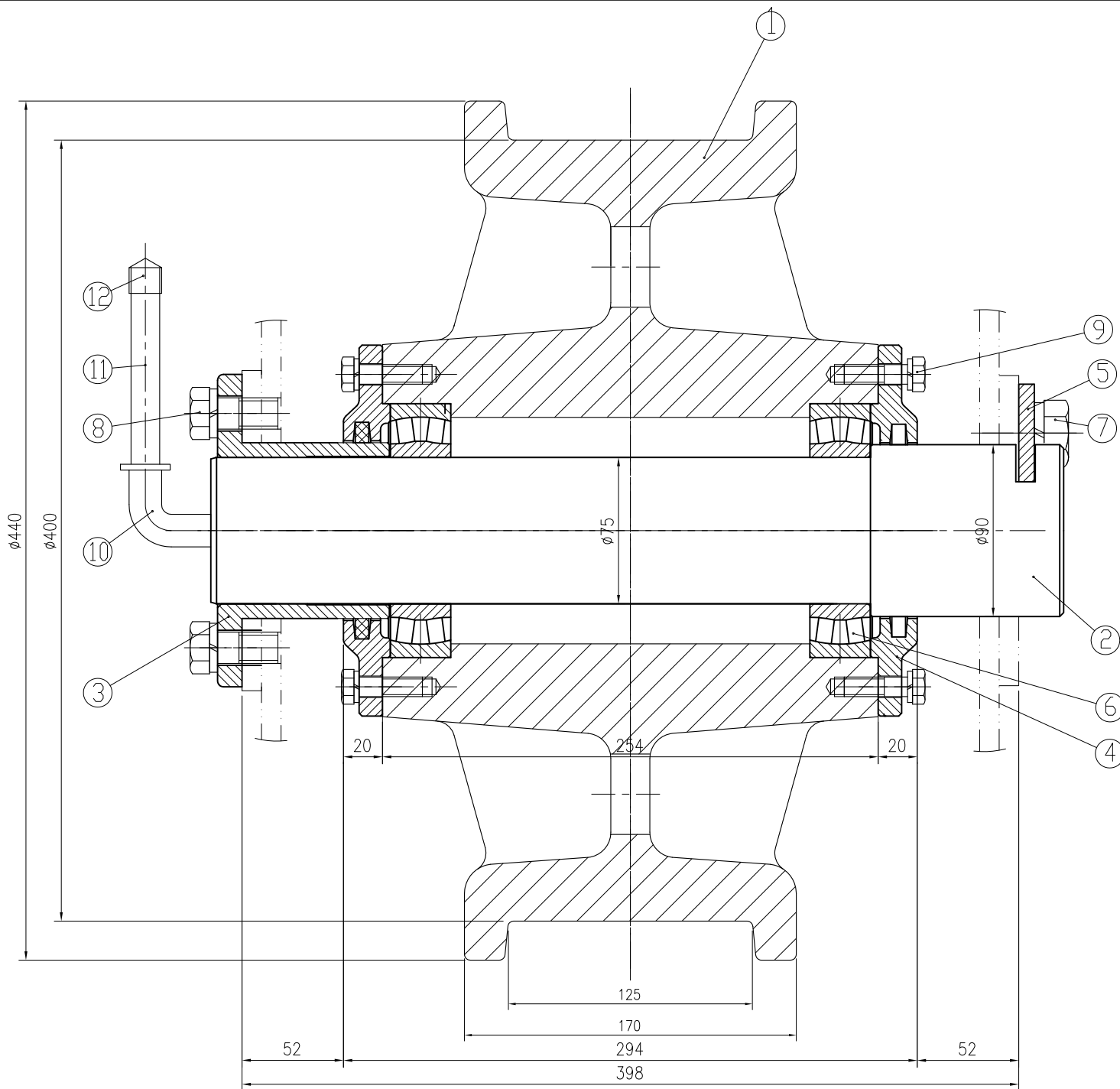


16	GREASE NIPPLE	PUR-CHASE	2		PT 1/4"
15	PIPE	S,G,P	2		3/8"
14	ELBOW	PUR-CHASE	2		PT 3/8"
13	BOLT,SW	4T	24		M10x35 ^L x25 ^S
12	BOLT,SW	4T	8		M16x35 ^L x25 ^S
11	BOLT,SW	4T	4		M20x30 ^L x25 ^S
10	S/W		6		M16
9	HIGHTENSION BOLT A		6		M16 X 70L
8	BEARING	PUR-CHASE	4		#22215
7	KEY PLATE	SS41	2		JD-S400-K-73KG
6	BUSH	S45CN	6		JD-S400-BU-73KG
5	BEARING COVER	SS41 OR FC20	4		JD-S400-BC-73KG
4	COLLAR	FCD40	2		JD-S400-C-73KG
3	SHAFT	S45CN	2		JD-S400-S-73KG
2	WHEEL GEAR	SC49	2		JD-S400-GR-73KG
1	DRIVING WHEEL	SCMn2A	2		JD-S400-D-73KG
	ASS'Y OF DRIVING WHEEL	-	2		

NO	DESCRIPTIONS	MT'L	SET	SET	UNIT	TOTAL	REMARKS
			QTY	QTY	WEIGHT	KG	
DATE : 2014. 02	SCALE : N/S	DRAWING No. :		JD-400-73KG-D			
DRAWN BY J. H. GWAK	DESIGNED BY J,H,GWAK	CHECKED BY		APPROVED BY D,J,SIN			
PROJECT TITLE TRAVELLING DRIVING DRAWING				DRAWING TITLE ø400			



JINDO HOIST CRANE.CO.LTD

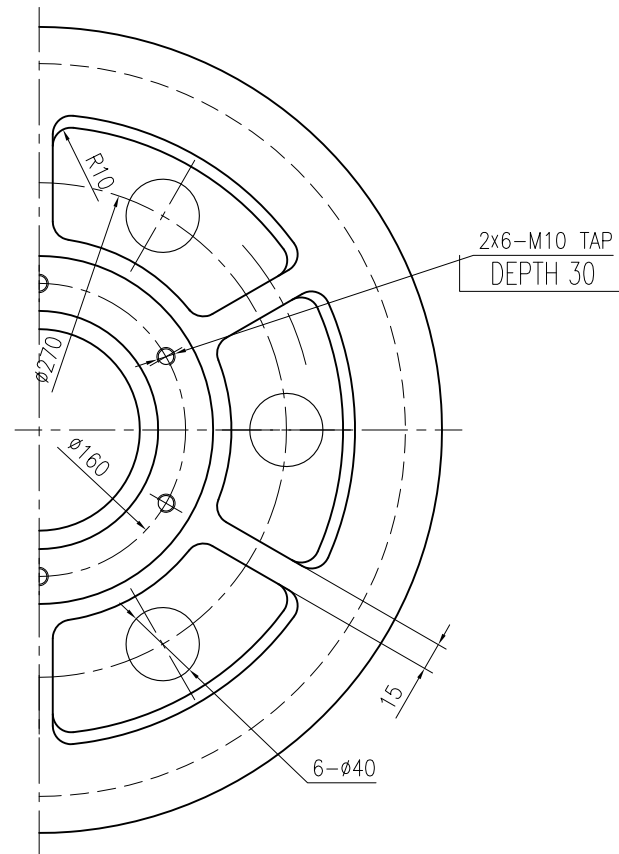
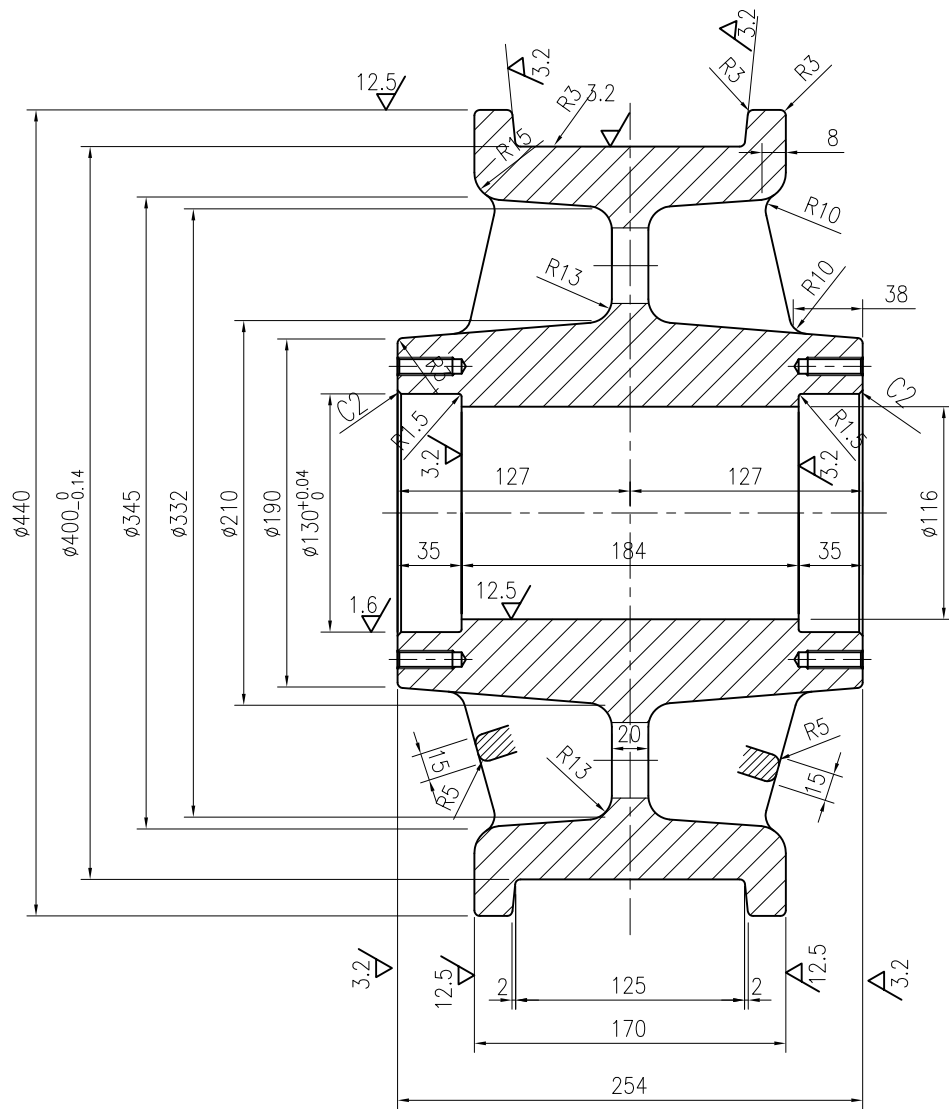


12	GREASE NIPPLE	PUR-CHASE	2			PT 1/4"
11	PIPE	S,G,P	2			3/8"
10	ELBOW	PUR-CHASE	2			PT 3/8"
9	BOLT,SW	4 T	24			M10x35 ^L x25 ^S
8	BOLT,SW	4 T	8			M16x35 ^L x25 ^S
7	BOLT,SW	4 T	4			M20x30 ^L x25 ^S
6	BEARING	PUR-CHASE	4			#22215
5	KEY PLATE	SS41	2			JD-S400-K-73KG
4	BEARING COVER	SS41 OR FC20	4			JD-S400-BC-73KG
3	COLLAR	FCD40	2			JD-S400-C-73KG
2	SHAFT	S45CN	2			JD-S400-S-73KG
1	FOLLOWING WHEEL	SCMn2A	2			JD-S400-F-73KG
	ASSY OF FOLLOWING WHEEL	-	2			

NO	DESCRIPTIONS	MT'L	SET	SET	UNIT	TOTAL	REMARKS
			QTY	QTY	WEIGHT	WEIGHT	
DATE : 2014. 02		SCALE : N/S		DRAWING No. :		JD-400-73KG-F	
DRAWN BY J. H. GWAK		DESIGNED BY J,H,GWAK		CHECKED BY		APPROVED BY D,J,SIN	
PROJECT TITLE TRAVELLING FOLLOWING DRAWING				DRAWING TITLE ø400			



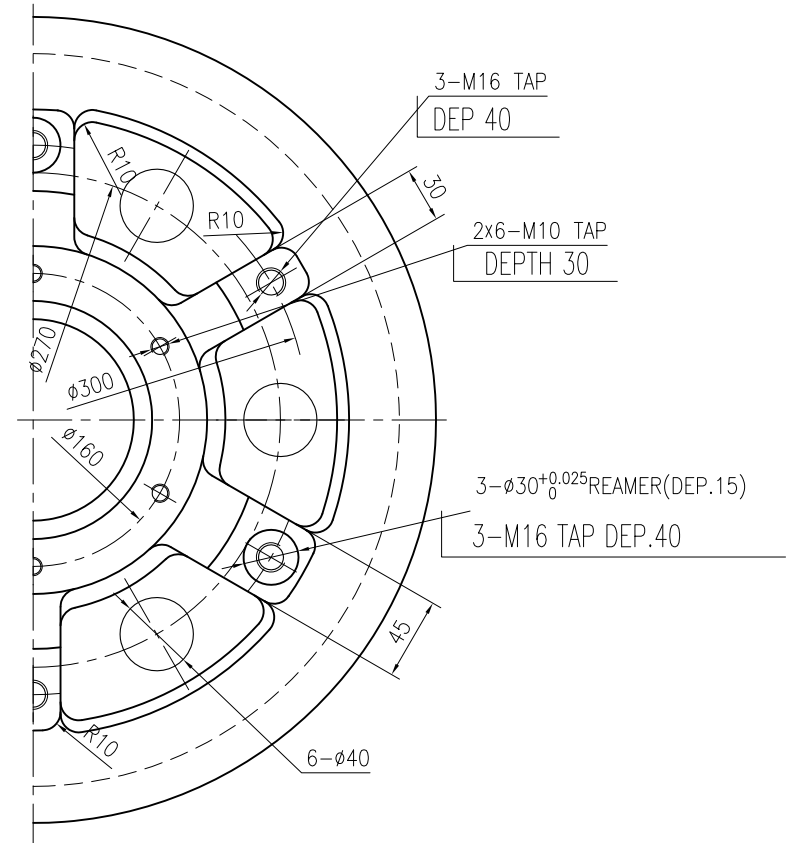
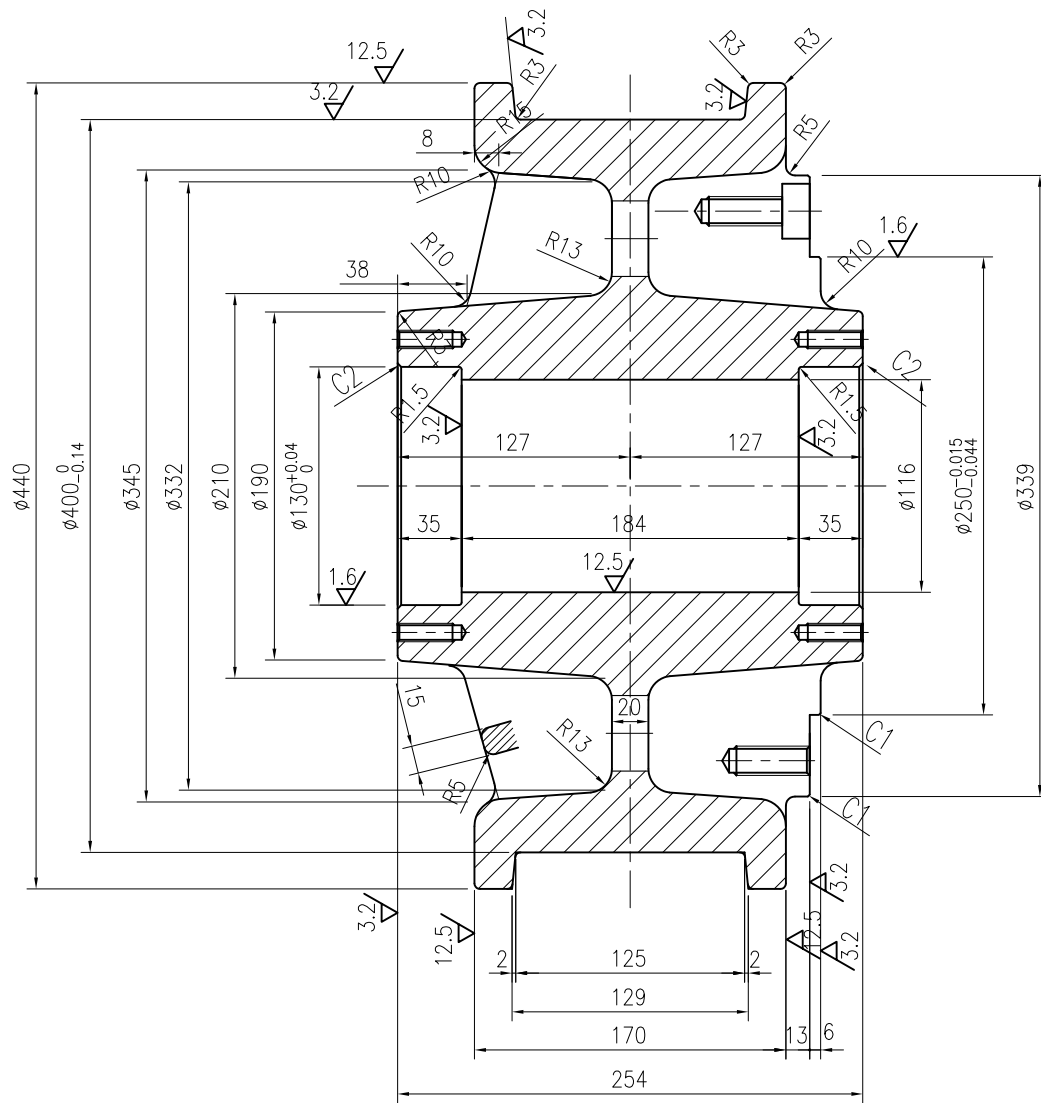
JINDO HOIST CRANE.CO.LTD



NO	DESCRIPTION	MATERIAL	Q'TY	SIZE	REMARKS
	FOLLOWING	SCMn2A	2		
DATE : 2014. 02	SCALE : N/S	DRAWING No. :		JD-400-73KG-F1	
DRAWN BY J. H. GWAK	DESIGNED BY J,H,GWAK	CHECKED BY		APPROVED BY D,J,SIN	
PROJECT TITLE TRAVELLING FOLLOWING DRAWING			DRAWING TITLE φ400		



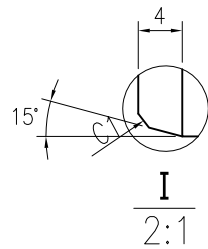
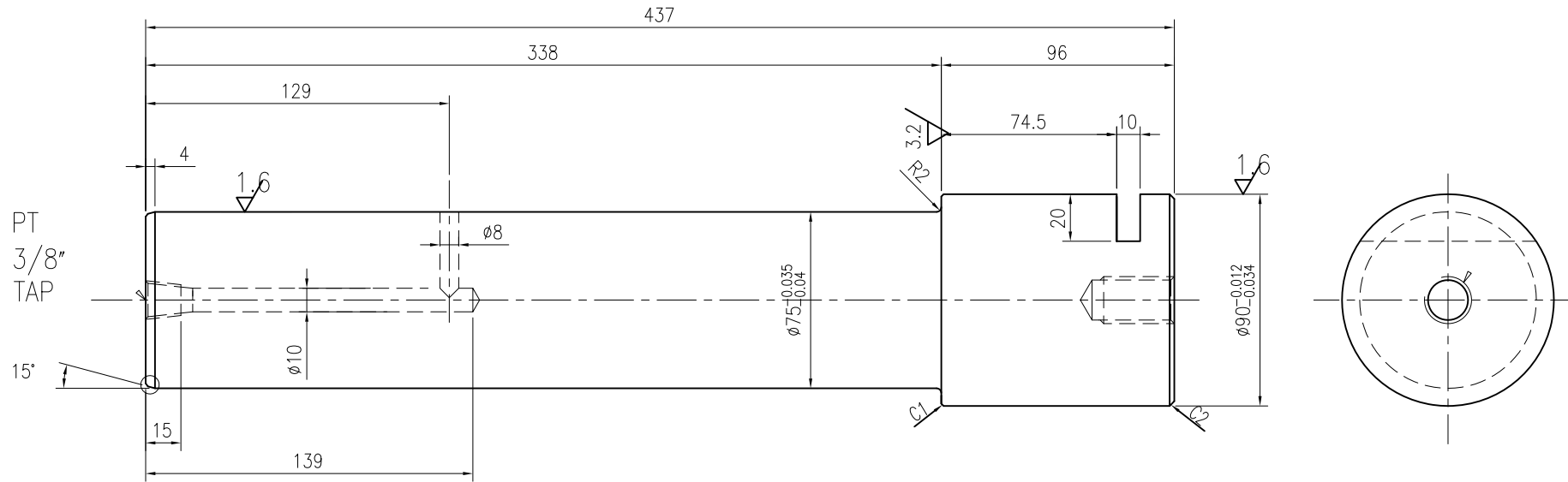
JINDO HOIST CRANE.CO.LTD



NO	DESCRIPTION	MATERIAL	Q'TY	SIZE	REMARKS
	DRIVING WHEEL	SCMn2A	2		
DATE : 2014. 02	SCALE : N/S	DRAWING No. : JD-400-73KG-D1			
DRAWN BY J. H. GWAK	DESIGNED BY J,H,GWAK	CHECKED BY	APPROVED BY D,J,SIN		
PROJECT TITLE TRAVELLING DRIVING DRAWING			DRAWING TITLE ø400		



JINDO HOIST CRANE.CO.LTD



NO	DESCRIPTION	MATERIAL	Q'TY	SIZE	REMARKS
	SHAFT	S45CN	4		
DATE : 2014. 02	SCALE : N/S	DRAWING No. :		JD-400-73KG-S	
DRAWN BY J. H. GWAK	DESIGNED BY J,H,GWAK	CHECKED BY		APPROVED BY D,J,SIN	
PROJECT TITLE TRAVELLING SHAFT DRAWING			DRAWING TITLE ø400		



JINDO HOIST CRANE.CO.LTD