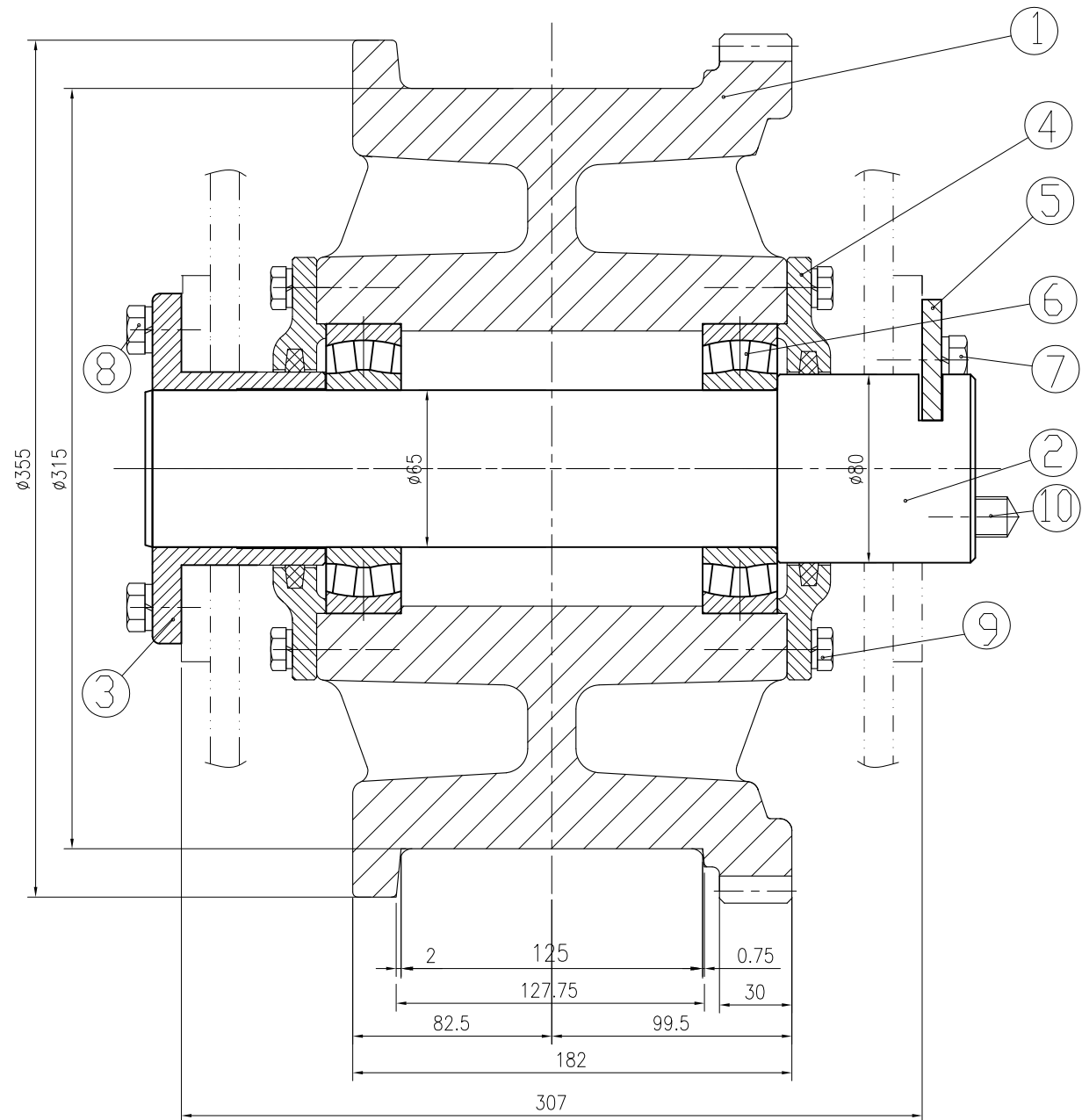


10	GREASE NIPPLE	PUR-CHASE	2			PT 1/4"
9	BOLT.SW	4T	24			M10x30 ^L x25 ^S
8	BOLT.SW	4T	8			M12x30 ^L x20 ^S
7	BOLT.SW	4T	4			M20x35 ^L x25 ^S
6	BEARING	PUR-CHASE	4			#22213
5	KEY PLATE	SS41	2			JD-S315-K
4	BEARING COVER	SS41 OR FC20	4			JD-S315-BC
3	COLLAR	FCD40	2			JD-S315-C-73KG
2	SHAFT	S45CN	2			JD-S315-S-73KG
1	FOLLOWING WHEEL	SCMn2A	2			JD-S315-FW-73KG
	ASS'Y OF FOLLOWING WHEEL	-	2			

NO	DESCRIPTIONS	MT'L	SET	SET	UNIT	TOTAL	REMARKS
			QTY		WEIGHT	KG	
DATE : 2014. 02		SCALE : N/S		DRAWING No. :		JD-315-73KG-F	
DRAWN BY J. H. GWAK		DESIGNED BY J,H,GWAK		CHECKED BY		APPROVED BY D,J,SIN	
PROJECT TITLE TRAVELLING FOLLOWING DRAWING				DRAWING TITLE ø315-73KG			



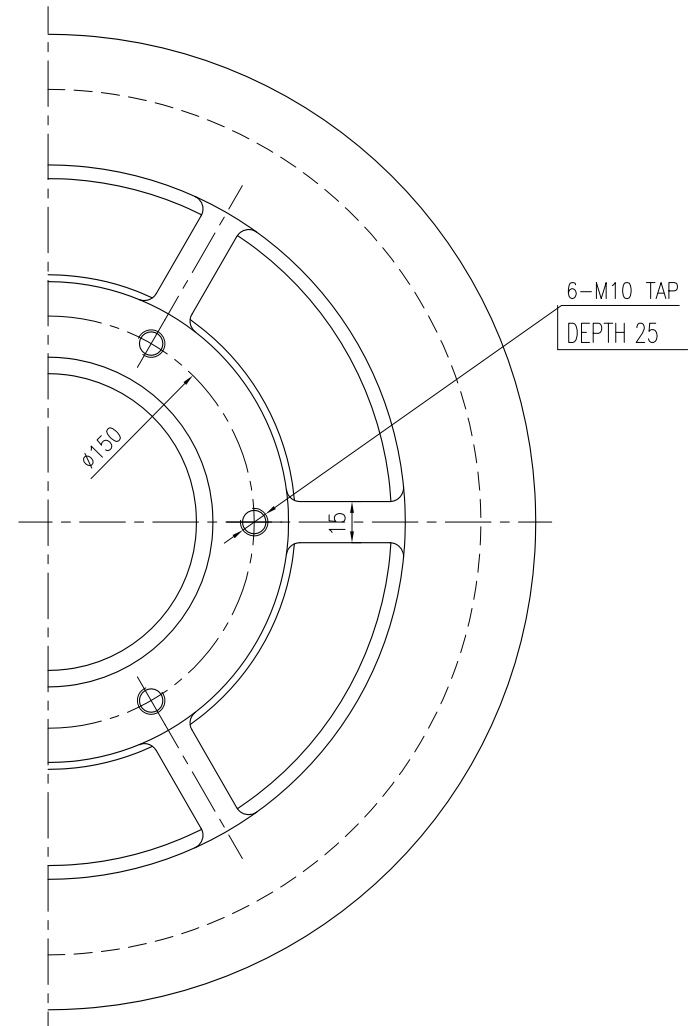
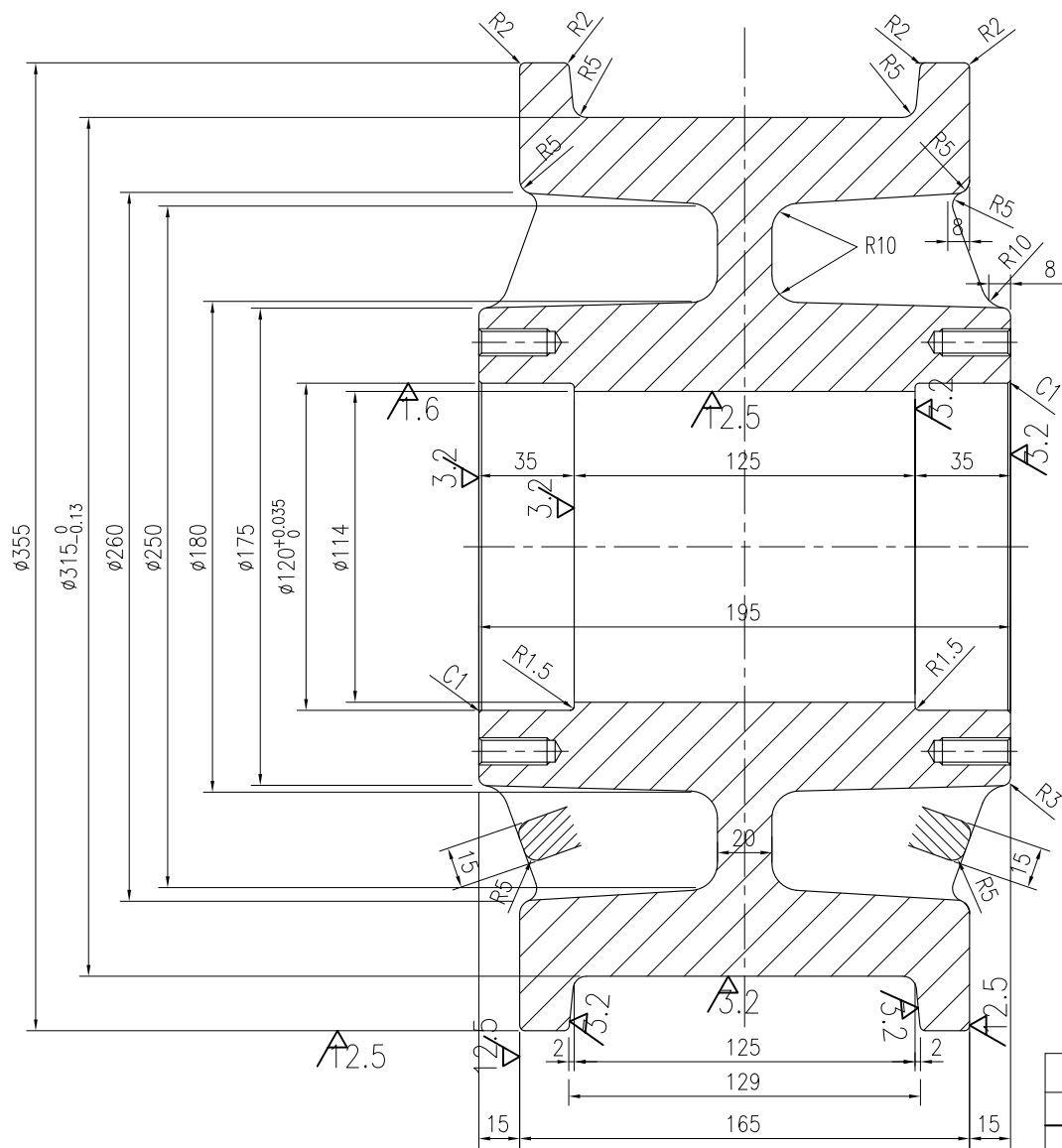
JINDO HOIST CRANE.CO.LTD



10	GREASE NIPPLE	PUR-CHASE	2			PT 1/4"	
9	BOLT.SW	4T	24			M10x30 ^L x25 ^S	
8	BOLT.SW	4T	8			M12x30 ^L x20 ^S	
7	BOLT.SW	4T	4			M20x35 ^L x25 ^S	
6	BEARING	PUR-CHASE	4			#22213	
5	KEY PLATE	SS41	2			JD-S315-K	
4	BEARING COVER	SS41 OR FC20	4			JD-S315-BC	
3	COLLAR	FCD40	2			JD-S315-C-73KG	
2	SHAFT	S45CN	2			JD-S315-S-73KG	
1	DRIVING WHEEL	SCMn2A	2			JD-S315-D1-73KG	
	ASS'Y OF DRIVING WHEEL	-	2				
NO	DESCRIPTIONS	MT'L	SET	SET	UNIT	TOTAL	REMARKS
			QTY	QTY	WEIGHT	KG	
DATE : 2014. 02		SCALE : N/S		DRAWING No. : JD-315-73KG-D			
DRAWN BY J. H. GWAK		DESIGNED BY J,H,GWAK		CHECKED BY		APPROVED BY D,J,SIN	
PROJECT TITLE TRAVELLING DRIVING DRAWING				DRAWING TITLE ø315-73KG			



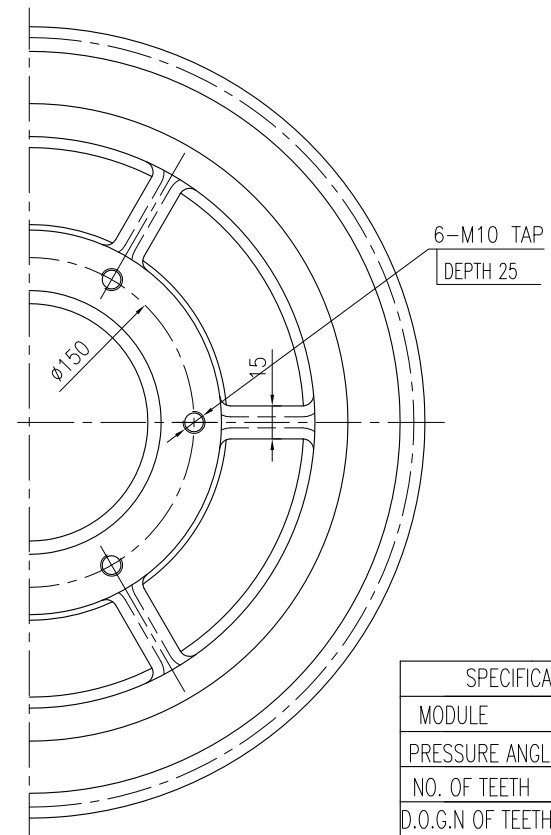
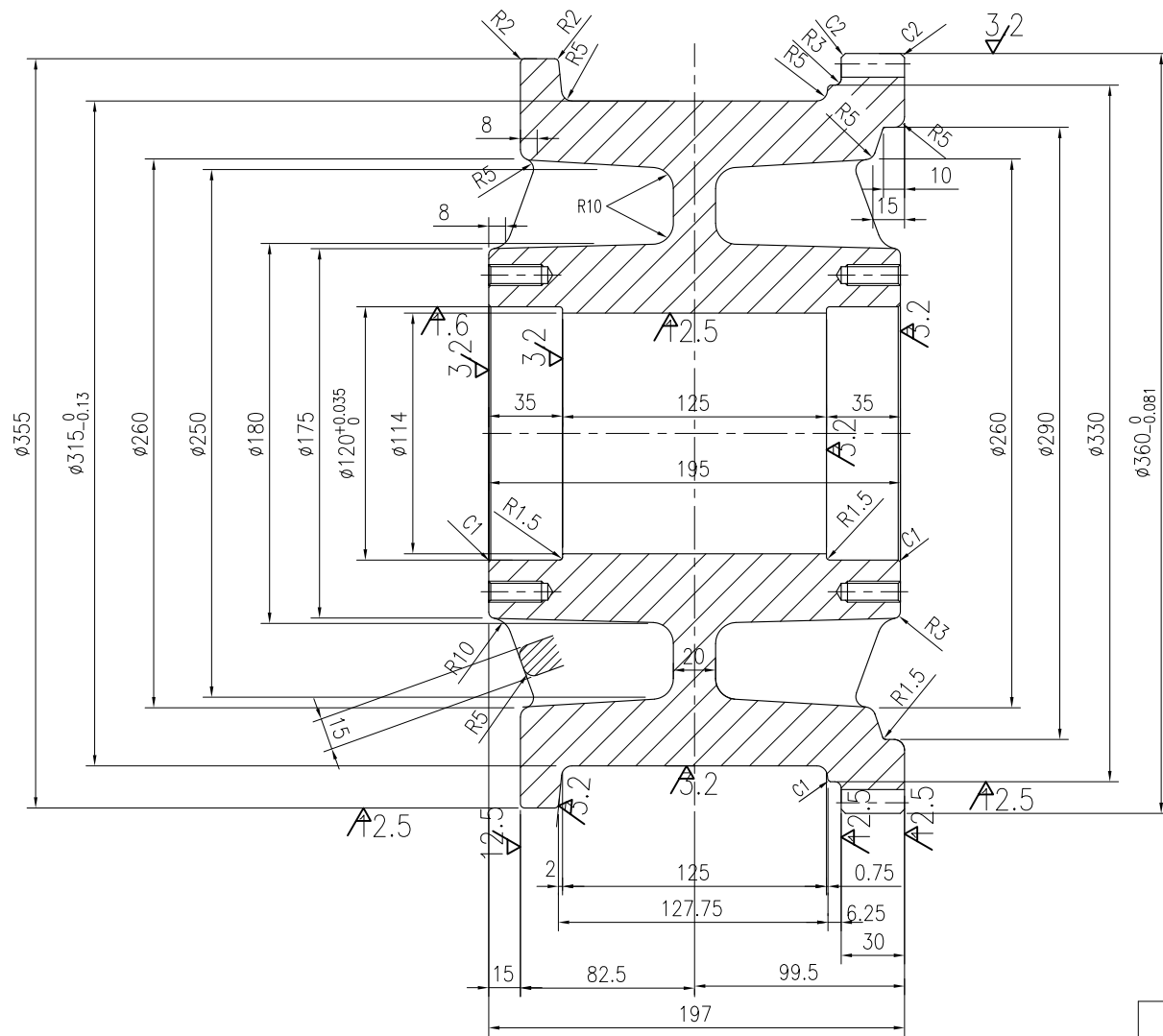
JINDO HOIST CRANE.CO.LTD



NO	DESCRIPTION	MATERIAL	Q'TY	SIZE	REMARKS
	FOLLOWING WHEEL	SCMn2A	2		
DATE : 2014. 02	SCALE : N/S	DRAWING No. :		JD-315-73KG-F1	
DRAWN BY J. H. GWAK	DESIGNED BY J,H,GWAK	CHECKED BY	APPROVED BY D,J,SIN		
PROJECT TITLE TRAVELLING FOLLOWING DRAWING			DRAWING TITLE ø315-73KG		



JINDO HOIST CRANE.CO.LTD

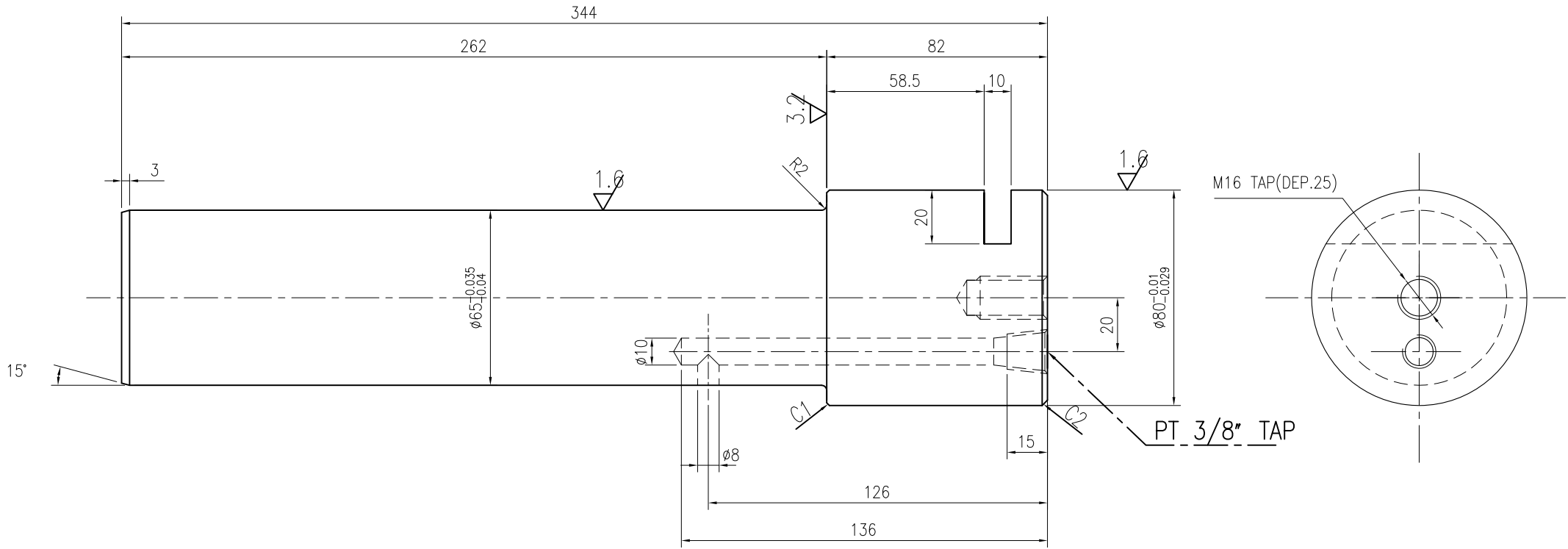


SPECIFICATION	
MODULE	5
PRESSURE ANGLE	20°
NO. OF TEETH	70T
D.O.G.N OF TEETH	8T)115.607 ^{-0.1} _{-0.4}
P.C.D	φ350

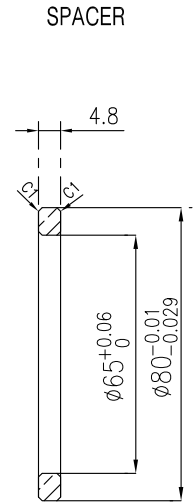
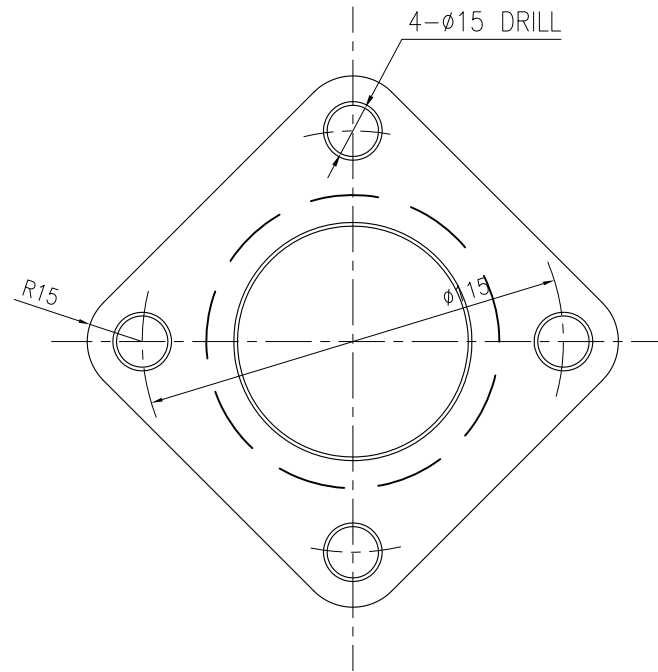
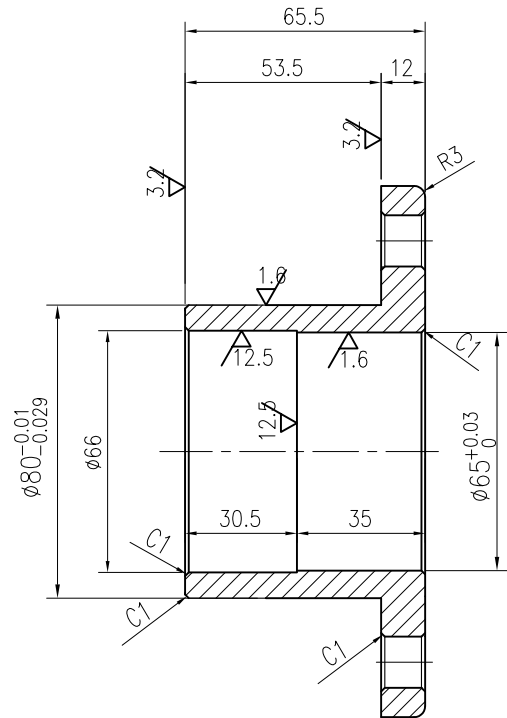
DRIVING WHEEL	SCMN2A		
DATE : 2014. 02	SCALE : N/S	DRAWING No. : JD-315-73KG-D1	
DRAWN BY J. H. GWAK	DESIGNED BY J,H,GWAK	CHECKED BY	APPROVED BY D,J,SIN
PROJECT TITLE TRAVELLING DRIVING DRAWING		DRAWING TITLE φ315-73KG	



JINDO HOIST CRANE.CO.LTD



NO		SHAFT			S45CN		4			
DESIGNED		CHECKED			APPROVED		Q'TY		SIZE	
REF. NO		SCALE			UNIT		DWG. NO		REMARKS	
JD							TITLE		JD-S315-S-73KG	



NO	DESCRIPTION	MATERIAL	Q'TY	SIZE	REMARKS
	COLLAR	FCD40	4		
DATE : 2014. 02		SCALE : N/S		DRAWING No. : JD-315-73KG-C	
DRAWN BY J. H. GWAK		DESIGNED BY J,H,GWAK		CHECKED BY APPROVED BY D,J,SIN	
PROJECT TITLE TRAVELLING COLLAR DRAWING				DRAWING TITLE φ315-73KG	

BEARING COVER

ISSUE NO. 1

JD-S315-BC



JINDO HOIST CRANE.CO.LTD