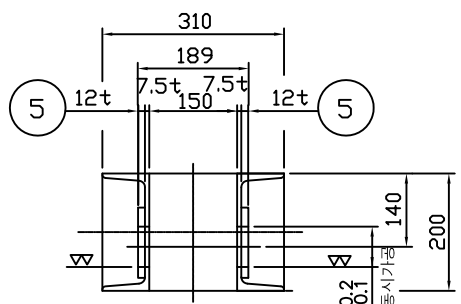
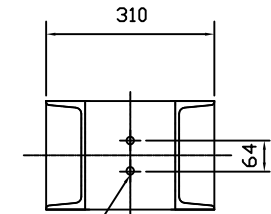
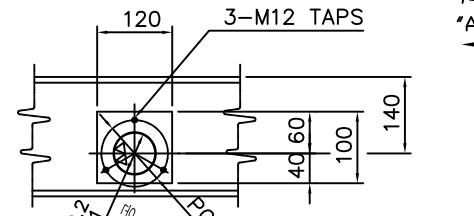


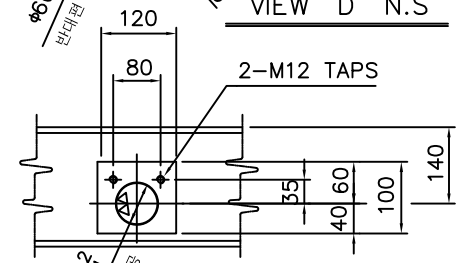
SECTION "B-B" N.S



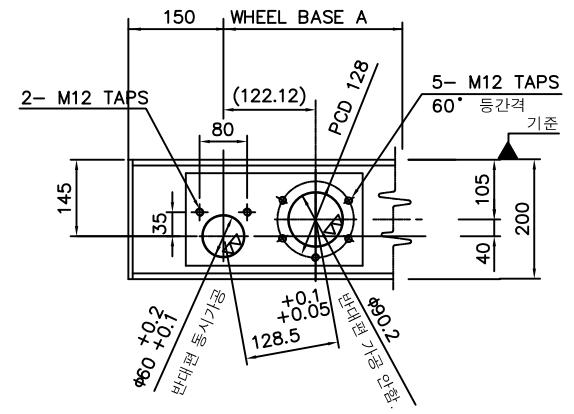
SECTION "A-A" N.S



VIEW "D" N.S



VIEW "E" N.S



MOTOR FLANGE DETAIL

| NO. | DATE | REVISION | NO. | DATE | REVISION | NOTE |
|-----|------|----------|-----|------|----------|------|
| 1 | | | 1 | | | |
| 2 | | | 2 | | | |
| 3 | | | 3 | | | |

제작사



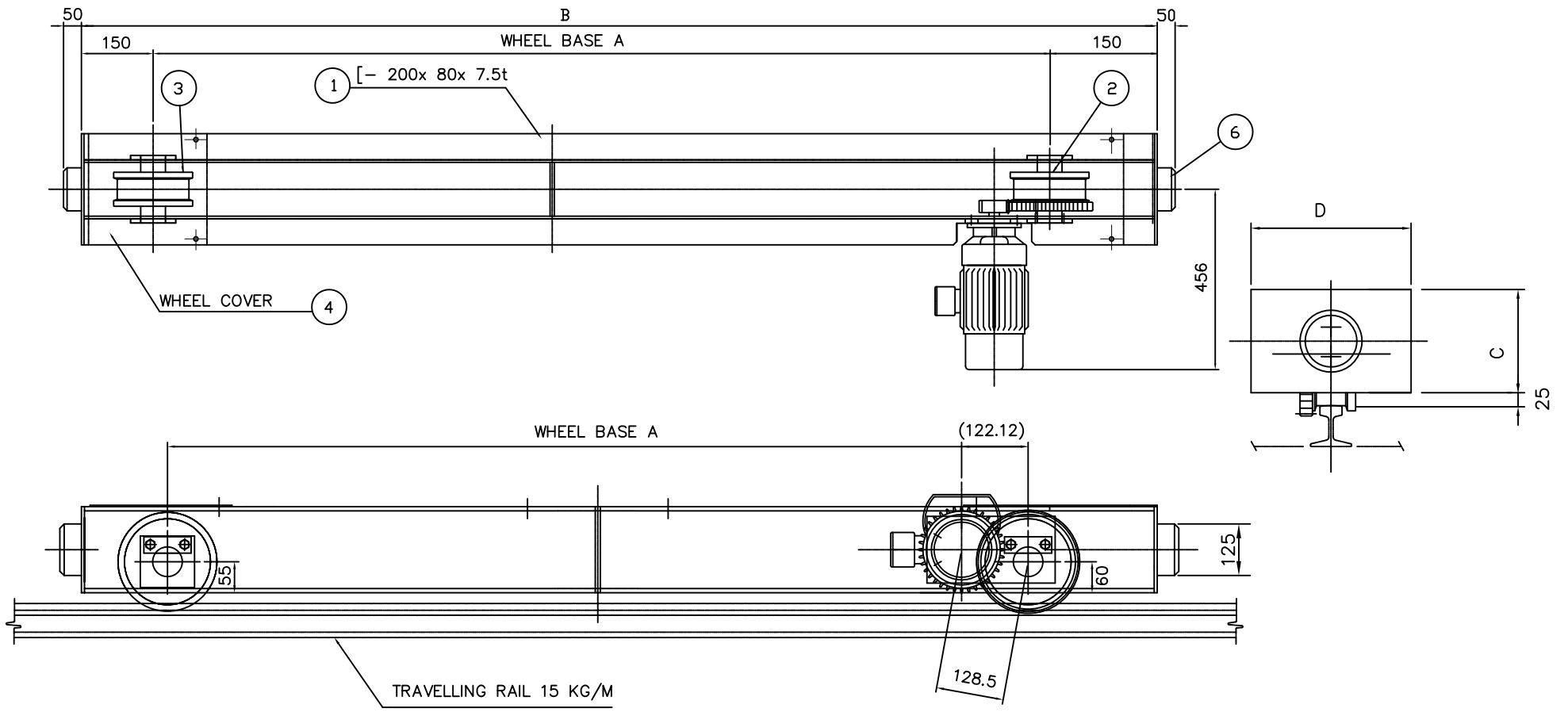
DRAWN BY
DESIGNED BY
CHECKED BY
APPROVED BY

과재현
신덕재

SUBJECT
PROJECT

SCALE N/S
DATE 2013. 10.
PROJECT NO.
DRAWING NO.

0 A



| NOTATION SADDLE SIZE | A | B | C | D |
|---------------------------|------|------|-----|-----|
| Φ160 (C - 200*80*7.5T) | 1500 | 1800 | 200 | 310 |
| | 1700 | 2000 | | |
| | 2000 | 2300 | | |
| | 2300 | 2600 | | |
| | 2500 | 2800 | | |

| NO. | DATE | REVISION | NO. | DATE | REVISION | NOTE |
|-----|------|----------|-----|------|----------|------|
| 1 | | | 1 | | | |
| 2 | | | 2 | | | |
| 3 | | | 3 | | | |

제작사



| | |
|-------------|-----|
| DRAWN BY | |
| DESIGNED BY | 곽재현 |
| CHECKED BY | 신덕재 |
| APPROVED BY | |

| | |
|---------|-------------|
| SUBJECT | Φ160 SADDLE |
| PROJECT | |

| | | | |
|-------------|-----|-------------|-----------|
| SCALE | N/S | DATE | 2013. 10. |
| PROJECT NO. | | DRAWING NO. | 0 A |